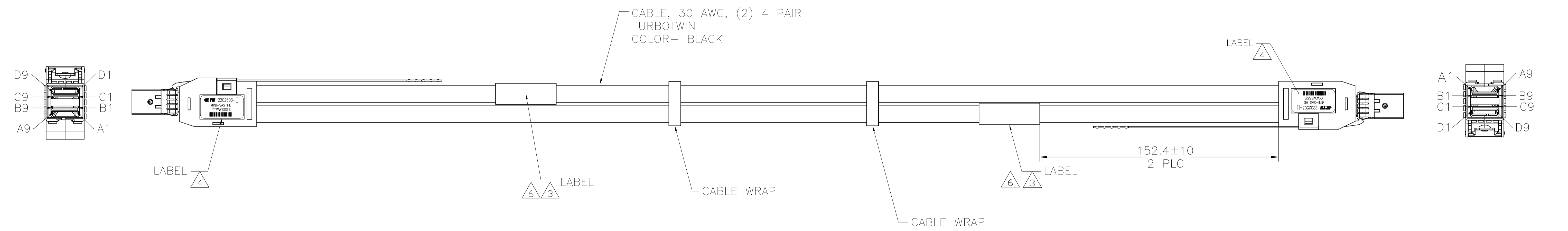
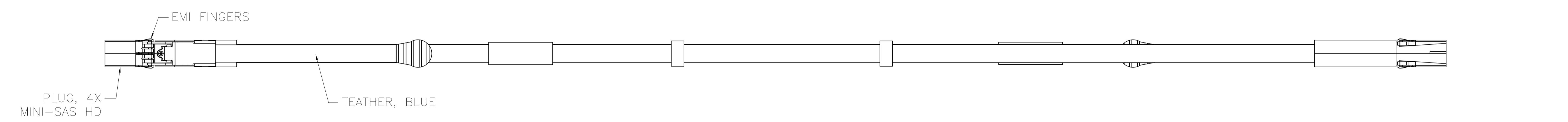
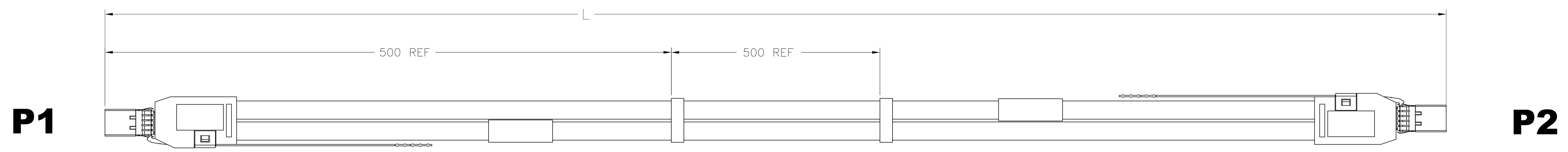


REVISIONS					
P	LTR	DESCRIPTION	DATE	DMN	APVD
D	PER	ECO-15-016946	21MAR2016	PL	FG



- ASSEMBLY TESTED FOR CONTINUITY, OPENS, SHORTS, EEPROM PROGRAM AND SIGNAL INTEGRITY.
- ROHS AND REACH COMPLIANCE: PRODUCT AND PROCESSING MEETS REQUIREMENTS OF TE SPECIFICATION TEC-138-702.

3 LABEL INFORMATION:

	2202503-[]	TE LOGO AND P/N
---	METERS	LENGTH
YYWW		DATE CODE
MADE IN	---	COUNTRY OF ORIGIN

4 LABEL INFORMATION:

	2202503-[]	TE LOGO AND P/N
	MINI-SAS HD	
YYWW	SSSS	YYWW= DATE CODE, SSSS= SERIAL NUMBER
		BARCODE

- EEPROM PROGRAMMED PER TE DOCUMENT 2202503_EEPROM.
- 6 -1 ONLY: LABEL IS APPLIED TO THE CENTER OF CABLE ASSEMBLY.

3 +0.08 - 0	METERS	2202503-4
2 +0.08 - 0	METERS	2202503-3
1 +0.05 - 0	METERS	2202503-2
0.5 +0.05 - 0	METERS	2202503-1 6
L		PART NO

THIS DRAWING IS A CONTROLLED DOCUMENT.

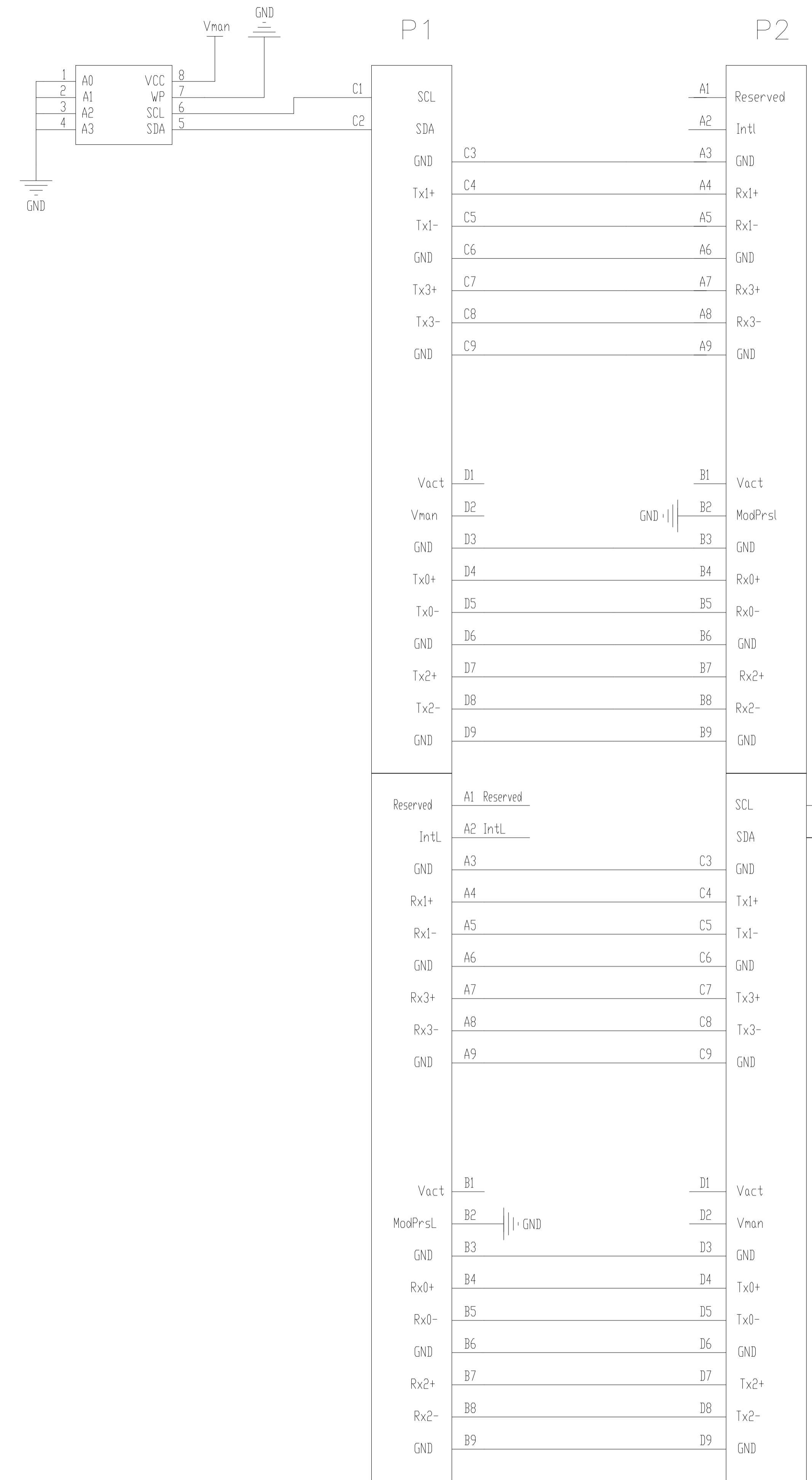
DIMENSIONS: mm	TOLERANCES UNLESS OTHERWISE SPECIFIED:	0 PLC ± -	1 PLC ± -	2 PLC ± -	3 PLC ± -	4 PLC ± -	ANGLES ± -				
MATERIAL	FINISH	WEIGHT	0	SIZE	A1	CAGE CODE	00779	DRAWING NO	C=2202503	RESTRICTED TO	
CUSTOMER DRAWING		SCALE	1:1	SHEET	1	OF	2	REV	D		

APPROVED: J. MEYERS 09MAR2012

TE Connectivity

CABLE ASSEMBLY, 30 AWG TURBOTWIN, MINI-SAS HD, 4X

REVISIONS				
P	LTR	DESCRIPTION	DATE	OWN
-	-	SEE SHEET 1	-	-



THIS DRAWING IS A CONTROLLED DOCUMENT.

DIN	PLI	09MAR2012	TE Connectivity
CHK	J.MEYERS	09MAR2012	
APVD	J.MEYERS	09MAR2012	NAME
DIMENSIONS: mm TOLERANCES UNLESS OTHERWISE SPECIFIED: 0 PLG ± - 1 PLG ± - 2 PLG ± - 3 PLG ± - 4 PLG ± - ANGLES ± -			CABLE ASSEMBLY, 30 AWG TURBOTWIN, MINI-SAS HD, 4X
MATERIAL: - FINISH: -			APPLICATION SPEC: - SIZE: A1 CAGE CODE: 00779 DRAWING NO: C=2202503
CUSTOMER DRAWING			RESTRICTED TO: - SCALE: 1:1 SHEET 2 OF 2 REV D