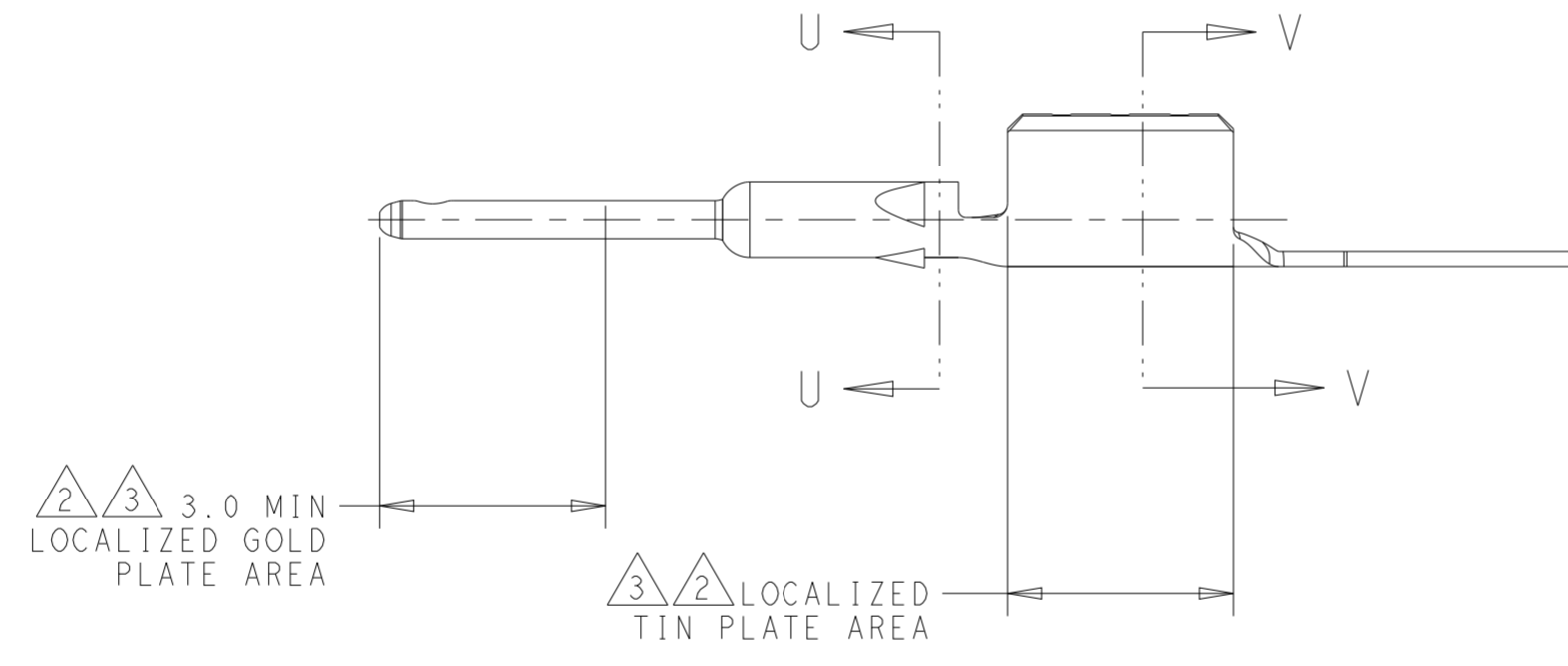
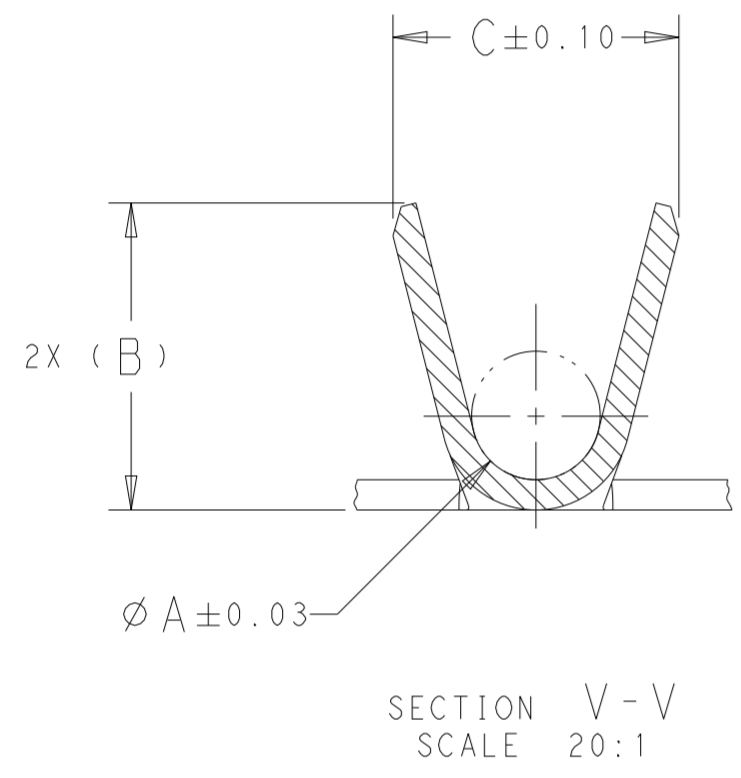
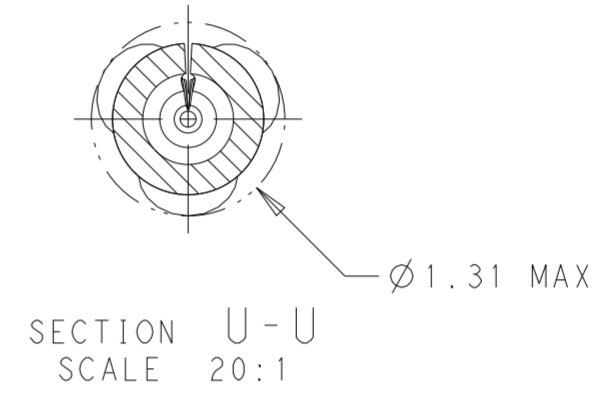
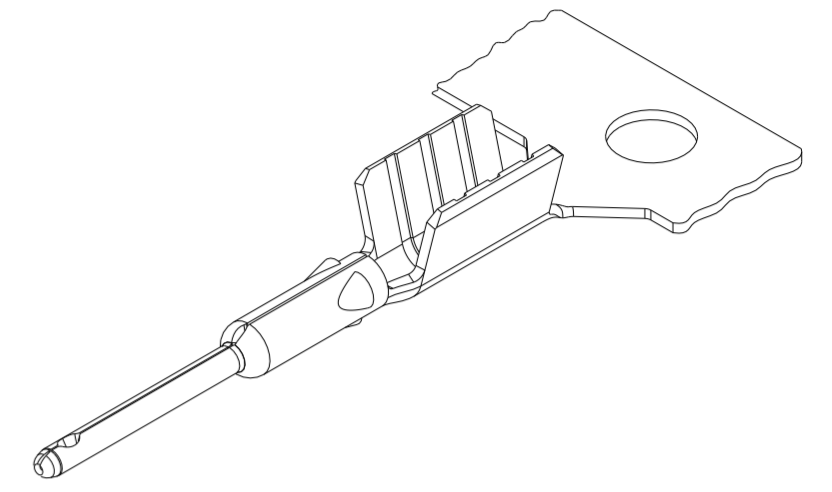
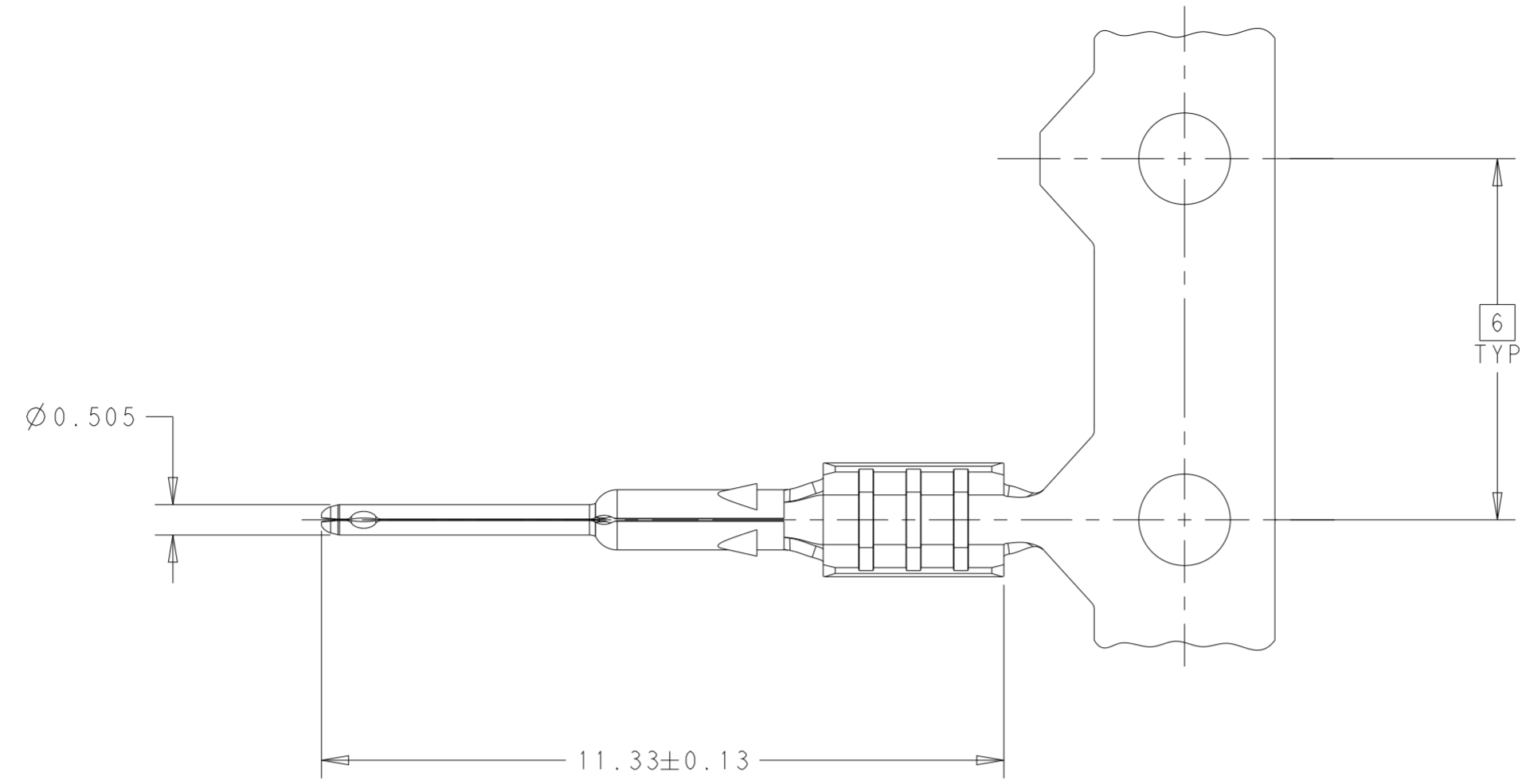


THIS DRAWING IS UNPUBLISHED. RELEASED FOR PUBLICATION 20
 © COPYRIGHT 20 BY - ALL RIGHTS RESERVED.

REVISIONS					
P	LTR	DESCRIPTION	DATE	DWN	APVD
B1		REVISED	07NOV2016	ERL	ERL
C		REVISED	17MAY2019	JAB	NE
C1		REVISED PER ECO-19-011159	16JUL2019	KF	NE
C2		REVISED PER ECN-21-125134	05NOV2021	CN	AC



2 3 3.0 MIN LOCALIZED GOLD PLATE AREA

3 2 LOCALIZED TIN PLATE AREA

2.13	2.28	1.00	2	RG-58 LL	1-2203260-9
2.13	2.28	1.00	3	RG-58, DACAR 037	1-2203260-8
2.13	2.28	1.00	2	RG-58, DACAR 037	1-2203260-7
2.13	2.28	1.00	3	RG-58 LL	1-2203260-5
1.89	2.03	0.85	3	RTK-031, 2DS-PPFW(TA), RTK044	1-2203260-4
OBSOLETE	-	-	-	-	1-2203260-3
1.42	1.57	0.55	3	1.5DS, DACAR 462, RG-174, RG-174 LL, RG-316	1-2203260-2
1.05	1.14	0.35	3	1.5CS	1-2203260-1
SUPERSEDED BY 1-2203260-9	-	-	-	-	1-2203260-0
1.89	2.03	0.85	2	RTK-031, 2DS-PPFW(TA), RTK044	2203260-8
OBSOLETE	-	-	-	-	2203260-6
1.42	1.57	0.55	2	1.5DS, DACAR 462, RG-174, RG-174 LL, RG-316	2203260-4
1.05	1.14	0.35	2	1.5CS	2203260-2
C	B	A	FINISH	APPLICABLE CABLE SIZE	PART NUMBER

- 1 BRASS.
- 2 0.38µm MIN GOLD PLATE IN LOCALIZED GOLD PLATE AREA, 2.5µm MIN TIN PLATE IN LOCALIZED TIN PLATE AREA, BOTH OVER 1.5µm MIN NICKEL PLATE.
- 3 0.80µm MIN GOLD PLATE IN LOCALIZED GOLD PLATE AREA, 2.5µm MIN TIN PLATE IN LOCALIZED TIN PLATE AREA, BOTH OVER 1.27µm MIN NICKEL PLATE.
- 4. CENTER CONTACT WILL ACCEPT COAXIAL CABLE: SEE TABLE.
- 5. 2203260-8 AS SHOWN.
- 6. PACKAGED ON REEL.

THIS DRAWING IS A CONTROLLED DOCUMENT. DWN D. J. HARDY 12AUG2015
 CHK D. J. LANE 12AUG2015
 APVD D. J. LANE 12AUG2015

STE TE Connectivity

NAME CENTER CONTACT, MALE, 180 DEGREE, FAKRA AUTOMATED

PRODUCT SPEC 108-32107
 APPLICATION SPEC 114-32145

MATERIAL 1 SEE TABLE

WEIGHT -

SIZE A2 CAGE CODE - DRAWING NO. C-2203260 RESTRICTED TO

CUSTOMER DRAWING SCALE 10:1 SHEET 1 OF 1 REV C2