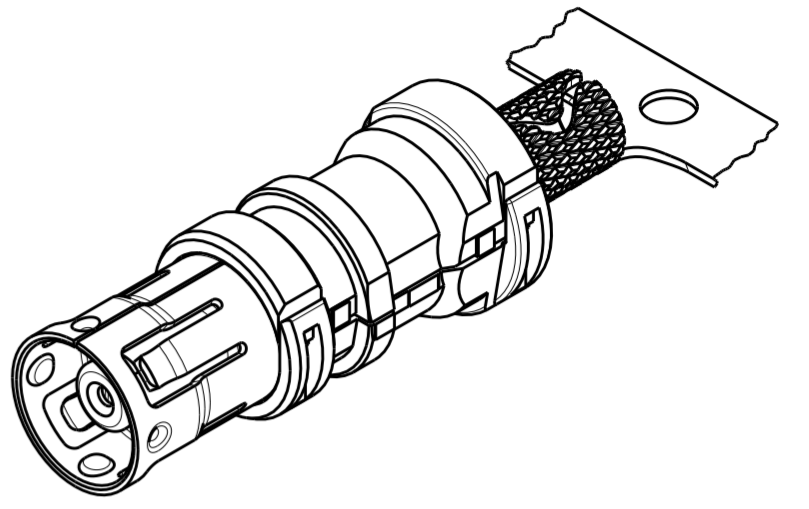
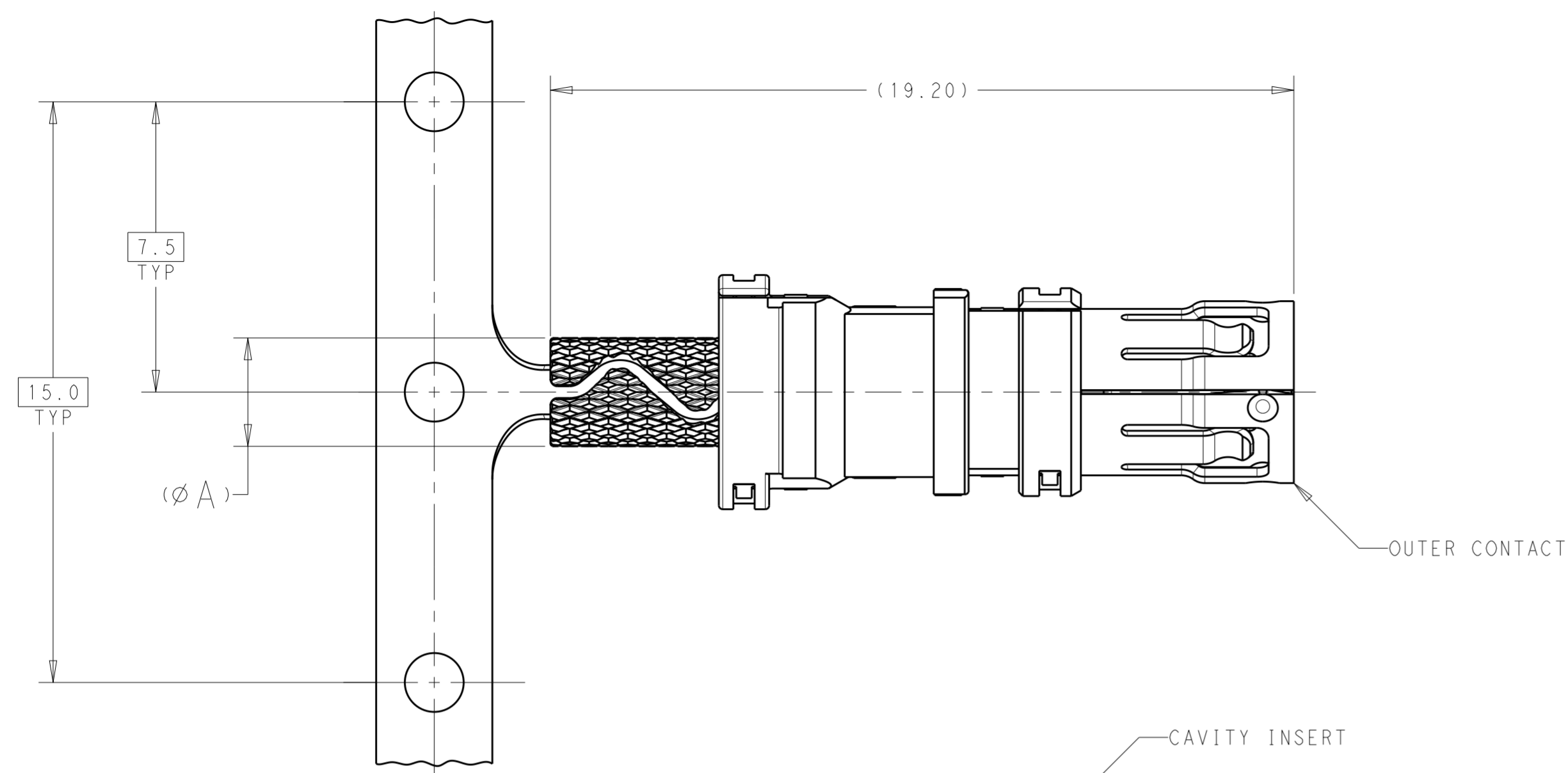
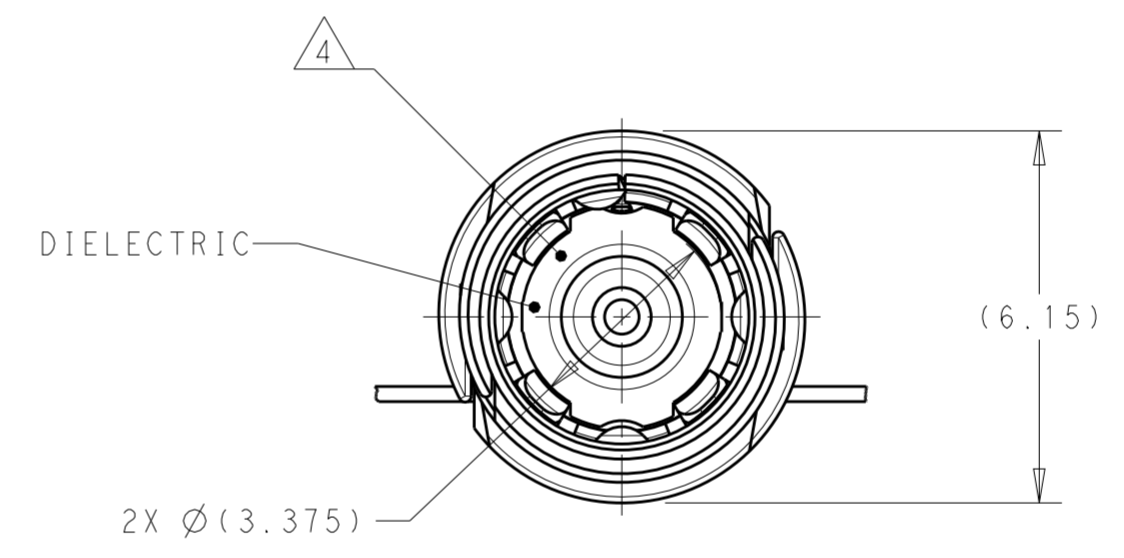
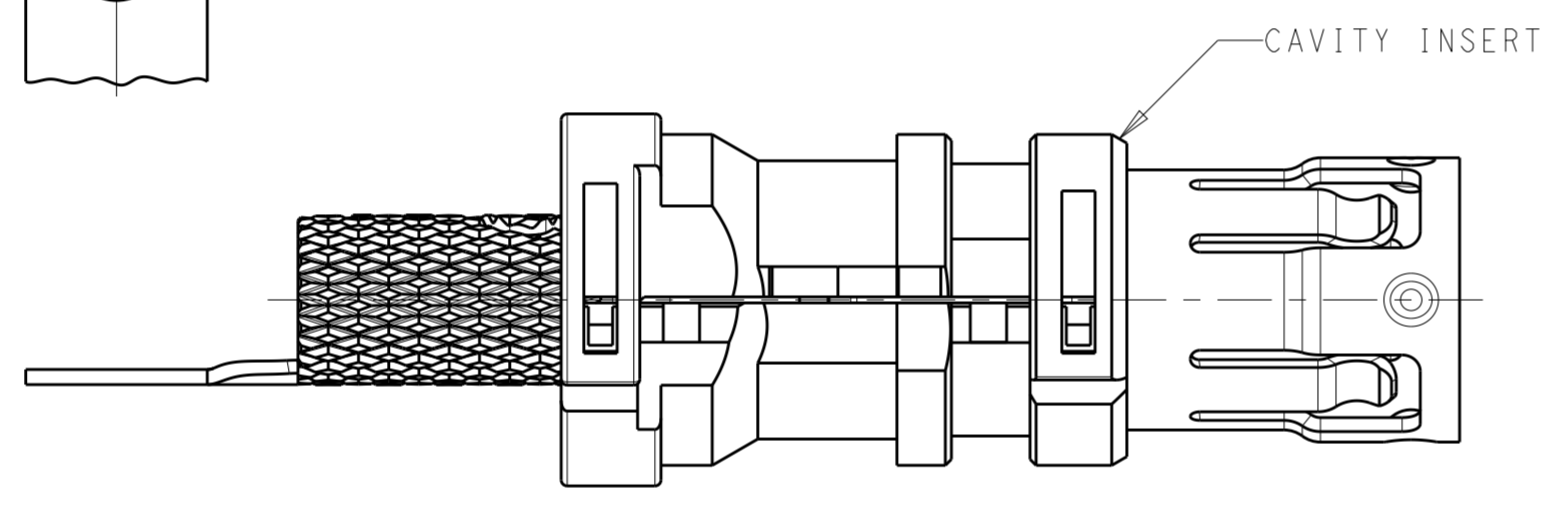


THIS DRAWING IS UNPUBLISHED. RELEASED FOR PUBLICATION 20
 © COPYRIGHT 20 BY - ALL RIGHTS RESERVED.

REVISIONS					
P	LTR	DESCRIPTION	DATE	DWN	APVD
D1		REVISED PER ECO-19-015221	04OCT2019	KF	NE
D2		REVISED PER ECO-20-008953	29JUN2020	CN	AC
D3		REVISED PER ECO-20-009877	15JUL2020	CN	AC
D4		REVISED PER ECO-20-010646	31JUL2020	CN	AC



ISOMETRIC VIEW
SCALE 5:1



	3.01	NATURAL	NATURAL	△6	RTK044	1-2203274-0
	2.22	NUT BROWN	NUT BROWN	△6	1.5CS, 1.5DS	2203274-8
	2.22	NUT BROWN	NUT BROWN	△6	1.5CS, 1.5DS, DACAR 462, RG-174, RG-174 LL, RG-316	2203274-7
OBSOLETE	-	-	-	-	-	2203274-6
OBSOLETE	-	-	-	-	-	2203274-5
OBSOLETE	-	-	-	-	-	2203274-4
	2.80	GREEN	GREEN	△6	RTK-031, SHIKOKU 2DS-PPFW(TA)	2203274-3
OBSOLETE	-	-	-	-	-	2203274-2
	3.65	JET BLACK	SIGNAL BLUE	△6	RG-58, RG-58 LL	2203274-1
	A	CAVITY INSERT COLOR	DIELECTRIC COLOR	MATERIAL	APPLICABLE CABLE SIZE	PART NUMBER

- 2203274-3 AS SHOWN.
- △2 OUTER CONTACT: PHOSPHOR BRONZE OR COPPER ALLOY. DIELECTRIC AND CAVITY INSERTS: POLYESTER PBT, COLOR: SEE TABLE.
- △3 OUTER CONTACT: 1.0µm MIN TIN.
- △4 CAVITY INSERT SUBASSEMBLY INTERFACE PER ISO 20860-1, ROAD VEHICLES - RADIO FREQUENCY INTERFACE - DIMENSIONS AND ELECTRICAL REQUIREMENTS.
- PACKAGED ON REEL.
- △6 OUTER CONTACT: PHOSPHOR BRONZE OR COPPER ALLOY. DIELECTRIC: POLYESTER PBT; CAVITY INSERTS: NYLON; COLOR: SEE TABLE.

THIS DRAWING IS A CONTROLLED DOCUMENT.

DWN	D. J. HARDY	17AUG2015
CHK	D. J. LANE	17AUG2015
APVD	D. J. LANE	17AUG2015
PRODUCT SPEC	108-32137	
APPLICATION SPEC	114-32145	
WEIGHT	-	

STE TE Connectivity

NAME: CAVITY INSERT SUBASSEMBLY, FEMALE, 180 DEGREE, FAKRA

SIZE	CAGE CODE	DRAWING NO	RESTRICTED TO
A2	-	G-2203274	

CUSTOMER DRAWING SCALE 8:1 SHEET 1 OF 1 REV D4