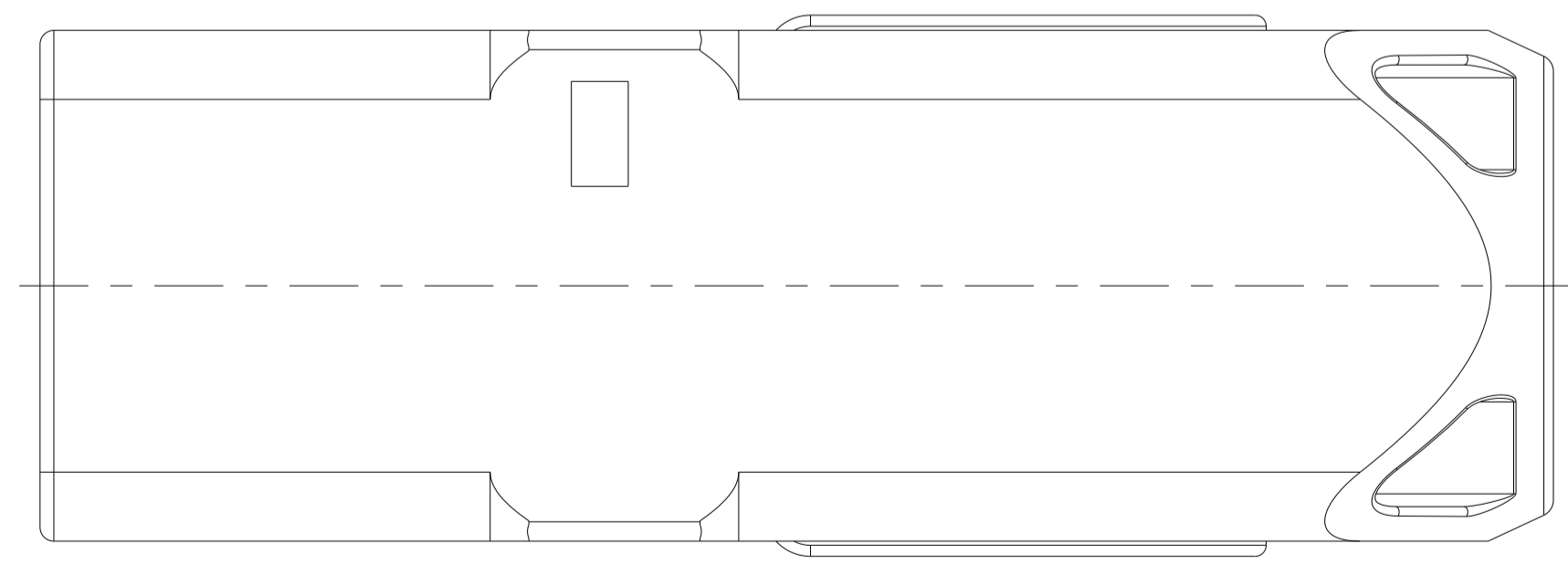
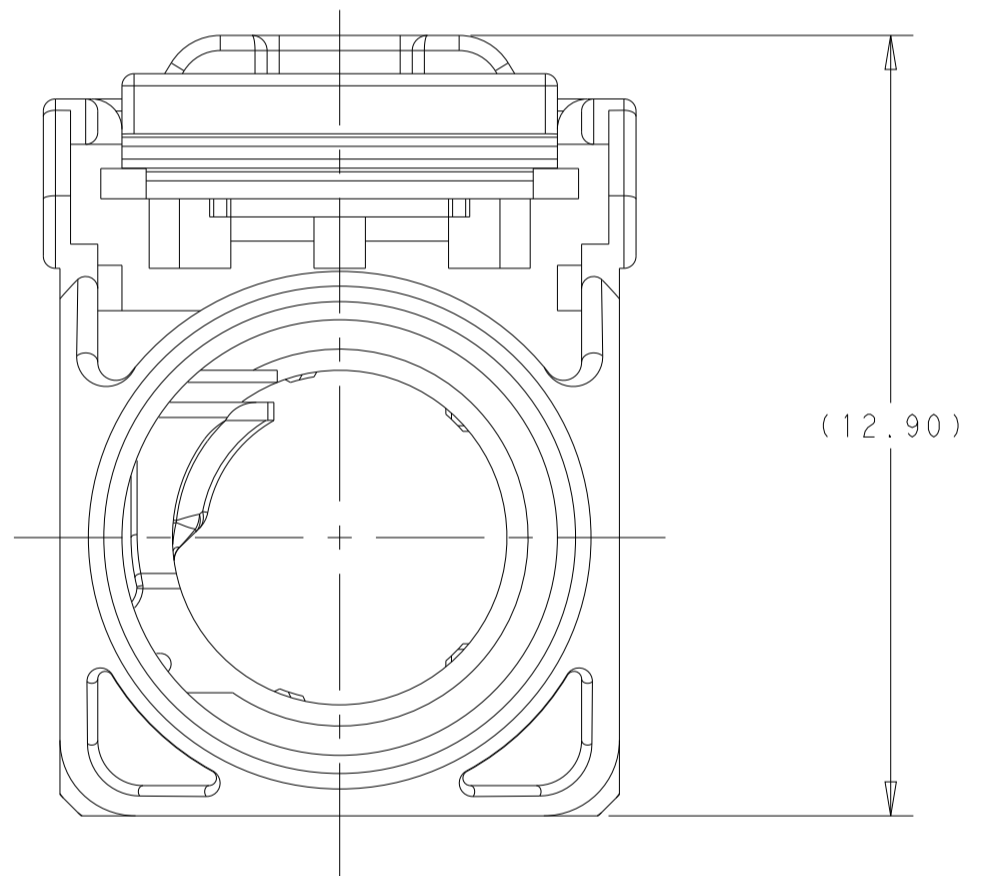
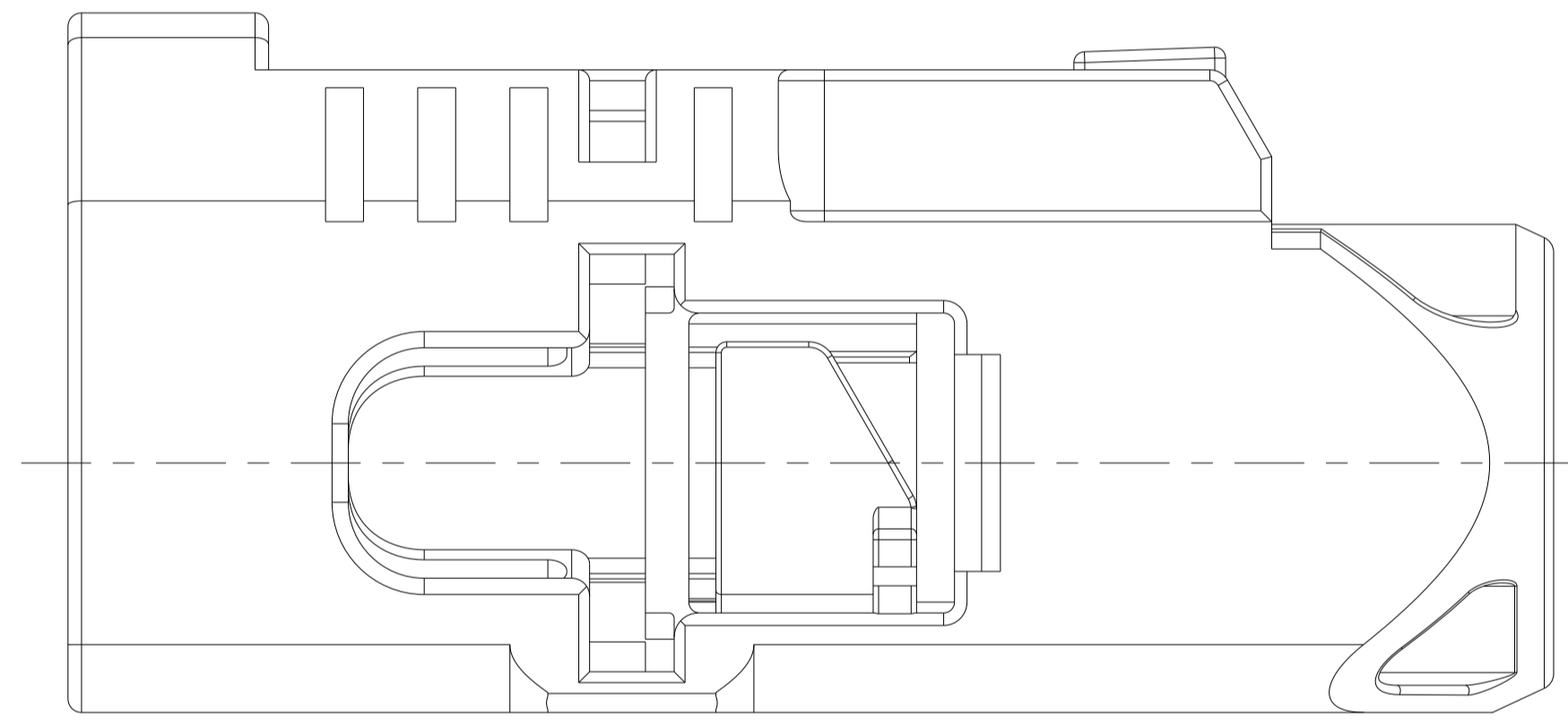
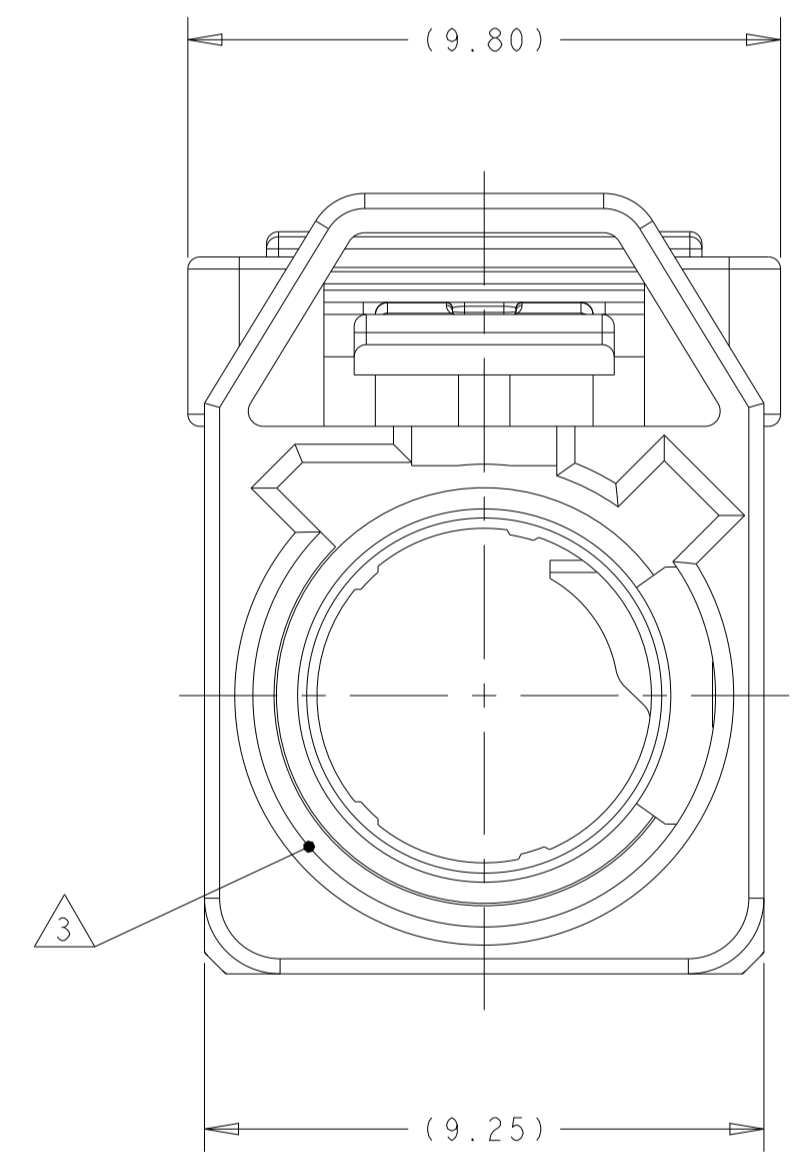
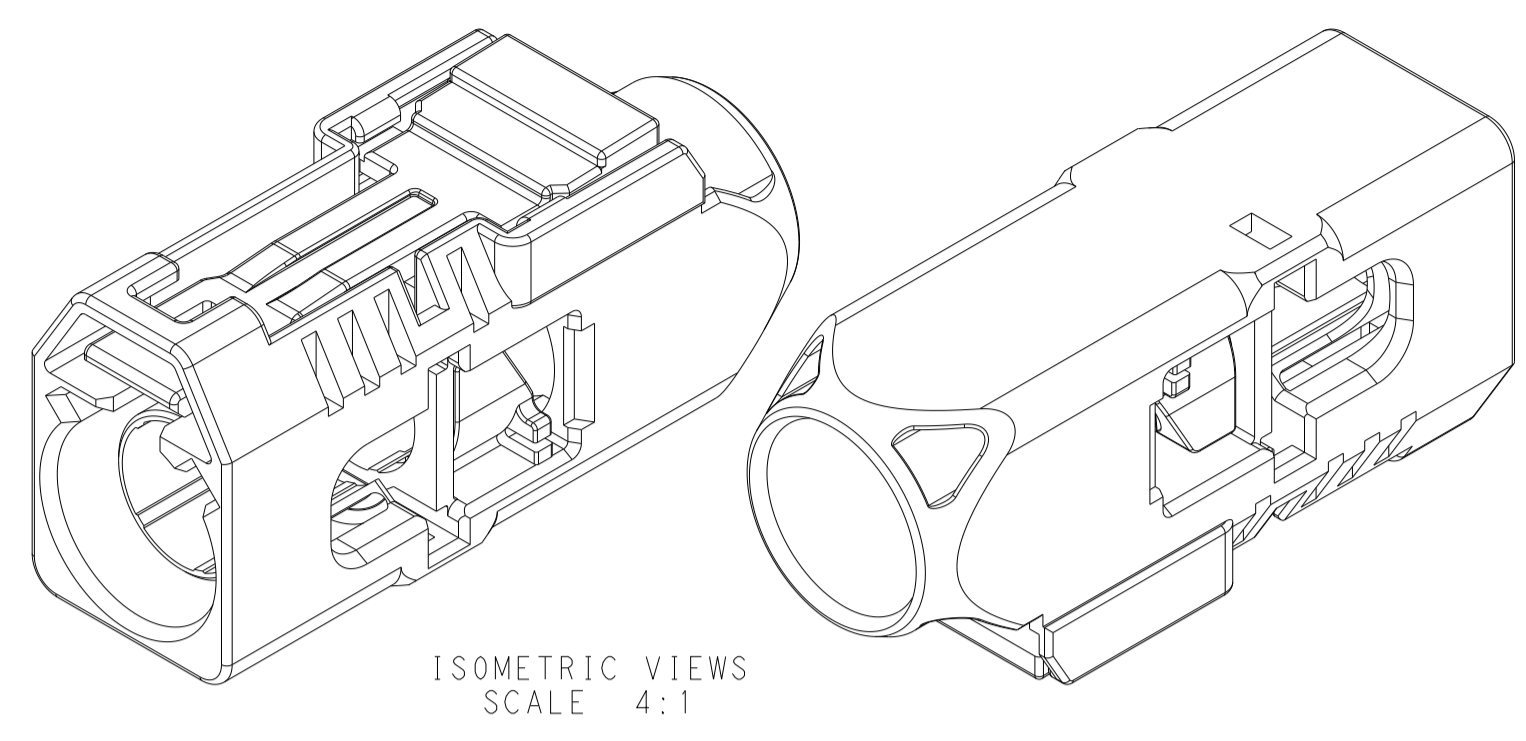
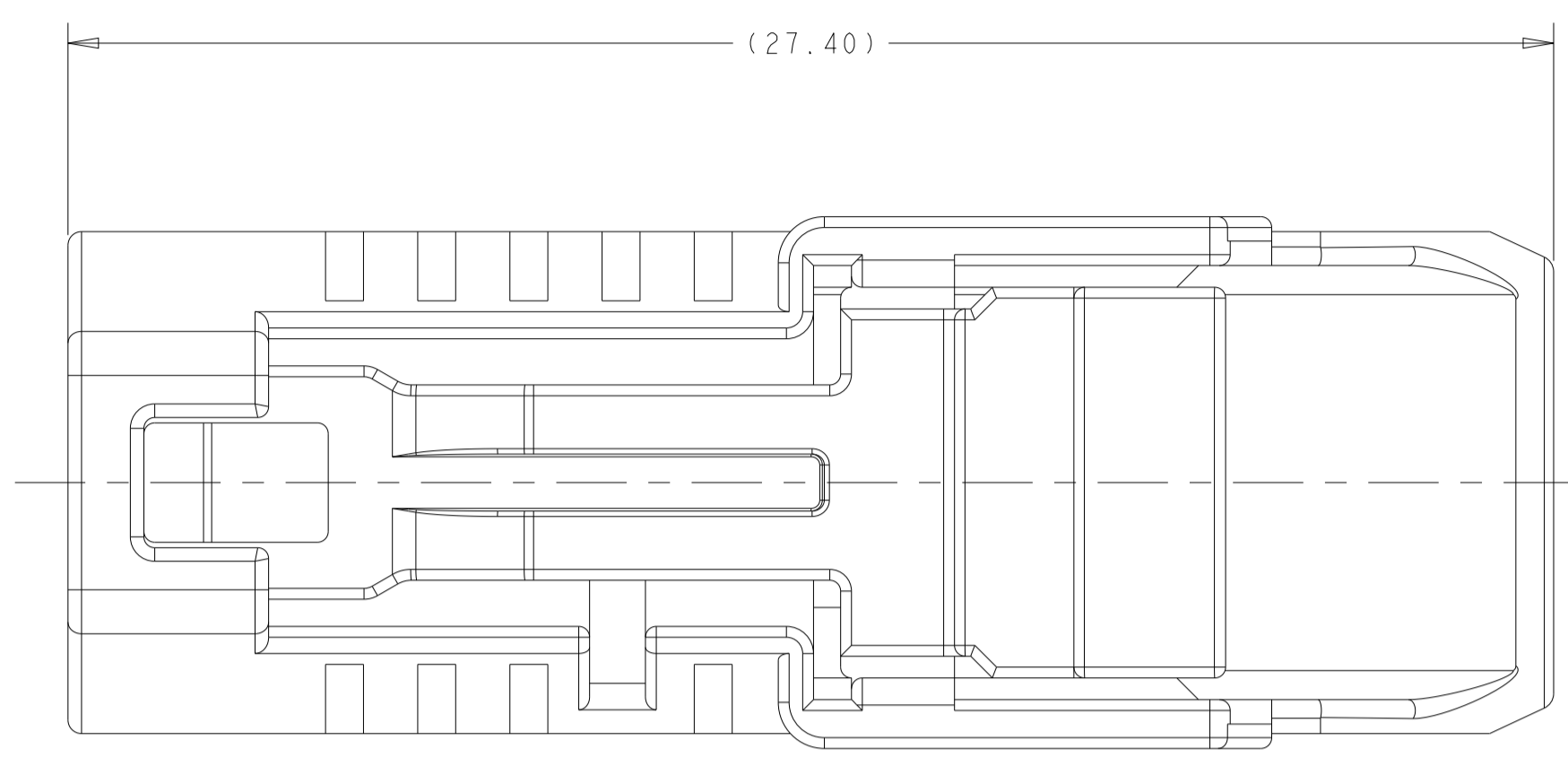


REVISIONS				
P	LTN	DESCRIPTION	DATE	APVD
1		INITIAL DRAWING.	06APR2017	JAB ERL
A1		REVISED PER ECN-25-313025	25MAR2025	JM AP



Z	PER DETAIL Z	WATER BLUE	2-2203573-0
N	PER DETAIL N	PASTEL GREEN	1-2203573-3
M	PER DETAIL M	PASTEL ORANGE	1-2203573-2
L	PER DETAIL L	CARMINE RED	1-2203573-1
K	PER DETAIL K	CURRY	1-2203573-0
I	PER DETAIL I	BEIGE	2203573-9
H	PER DETAIL H	HEATHER VIOLET	2203573-8
G	PER DETAIL G	BLUE GREY	2203573-7
F	PER DETAIL F	NUT BROWN	2203573-6
E	PER DETAIL E	LEAF GREEN	2203573-5
D	PER DETAIL D	CLARET VIOLET	2203573-4
C	PER DETAIL C	SIGNAL BLUE	2203573-3
B	PER DETAIL B	CREAM	2203573-2
A	PER DETAIL A	JET BLACK	2203573-1
KEY CODE	KEYING	CODING COLOR	PART NUMBER

- 1. 2203573-1 AS SHOWN.
- 2 MATERIAL, POLYESTER PBT, COLOR SEE TABLE.
- 3 FEMALE INTERFACE PER ISO-20860-1, ISO-20860-2, SAE/USCAR-17, SAE/USCAR-18.

SUPERSEDED BY X-2405503-X

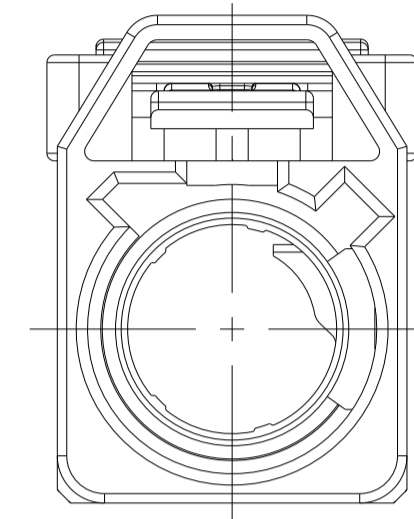
THIS DRAWING IS A CONTROLLED DOCUMENT.

DIMENSIONS: mm 	TOLERANCES UNLESS OTHERWISE SPECIFIED: 0 PLC ± 1 PLC ± 2 PLC ± 3 PLC ± 4 PLC ± ANGLES ± FINISH	DWN J.A.BAKER 06APR2017 CHK E.R.LOVE 28JUL2017 APVD E.R.LOVE 28JUL2017 PRODUCT SPEC 108-32137 APPLICATION SPEC 114-32145 WEIGHT CUSTOMER DRAWING	NAME FEMALE HOUSING, 1 POSITION, FAKRA SIZE A1 CAGE CODE - DRAWING NO. C=2203573 RESTRICTED TO - SCALE 8:1 SHEET 1 OF 2 REV A1
-----------------------	---	--	---

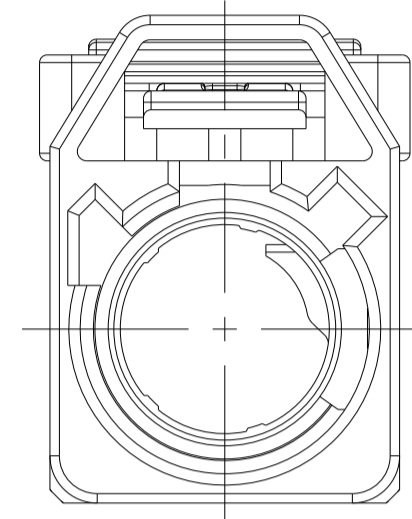
TE Connectivity

THIS DRAWING IS UNPUBLISHED. RELEASED FOR PUBLICATION. ALL RIGHTS RESERVED.

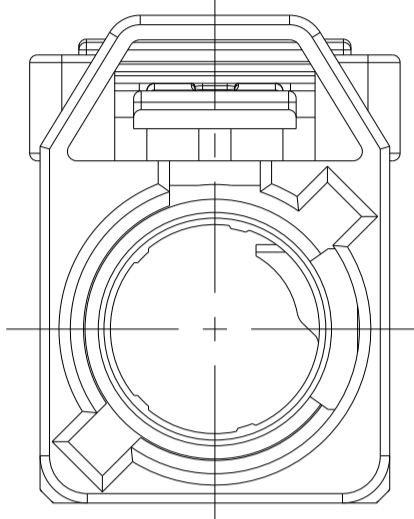
REVISIONS				
P	LTN	DESCRIPTION	DATE	APVD
-		SEE SHEET 1	-	-



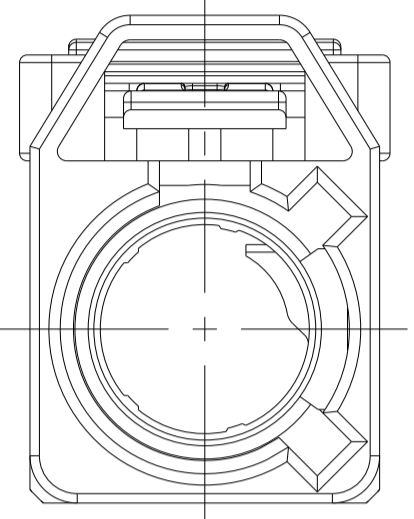
DETAIL A
SCALE 5:1



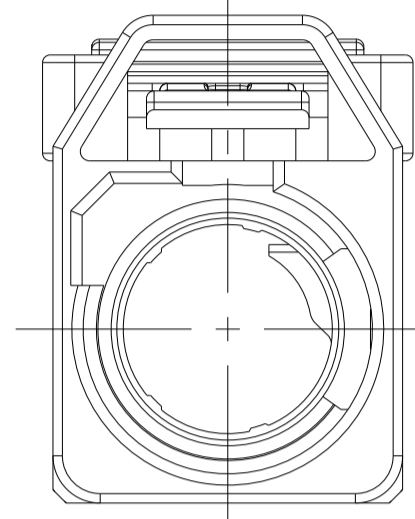
DETAIL B
SCALE 5:1



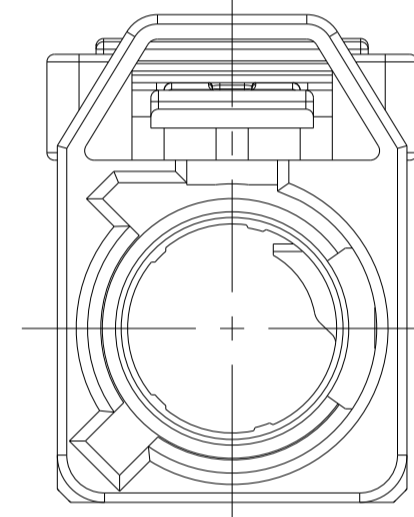
DETAIL C
SCALE 5:1



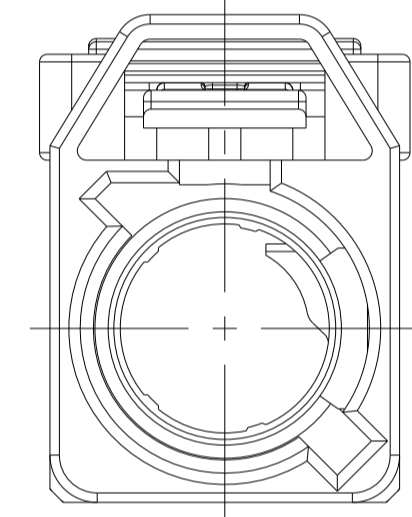
DETAIL D
SCALE 5:1



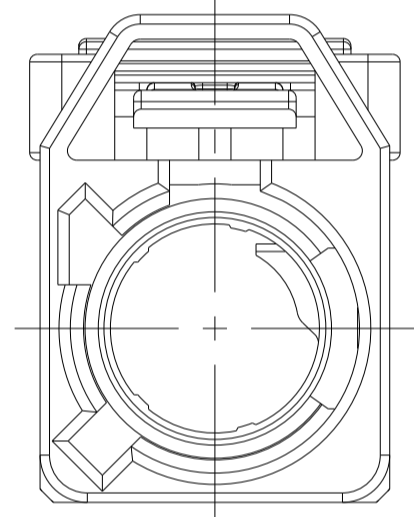
DETAIL E
SCALE 5:1



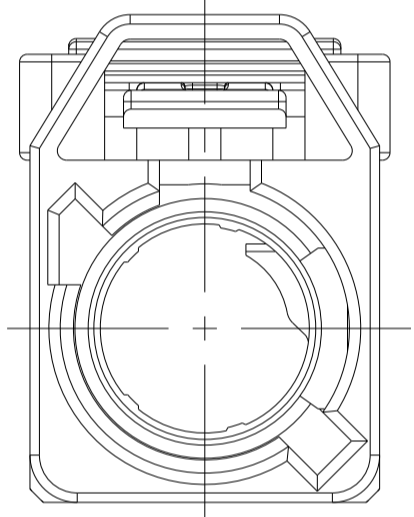
DETAIL F
SCALE 5:1



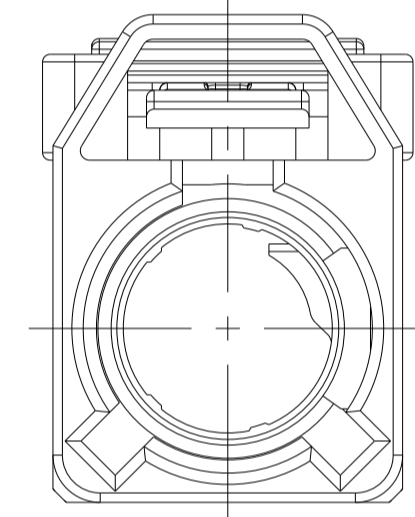
DETAIL G
SCALE 5:1



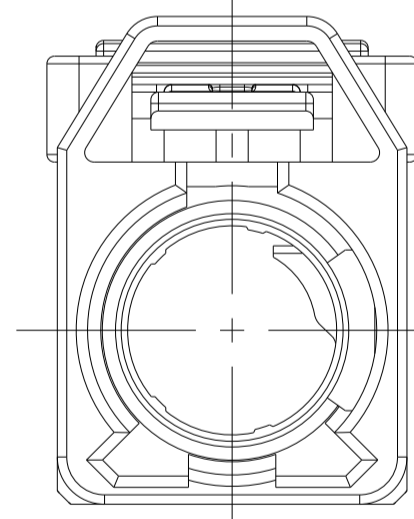
DETAIL H
SCALE 5:1



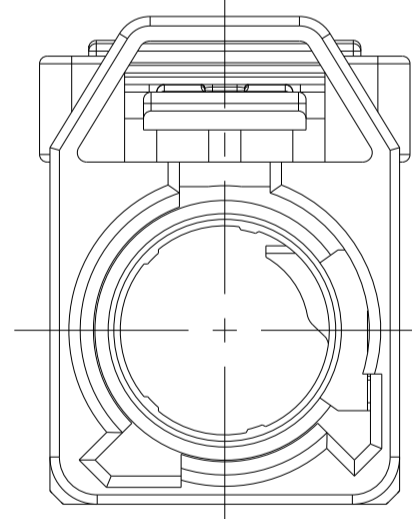
DETAIL I
SCALE 5:1



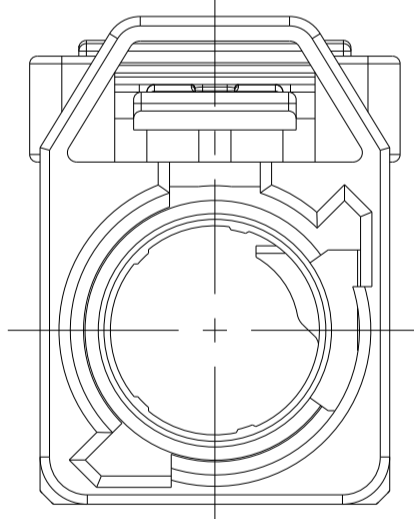
DETAIL K
SCALE 5:1



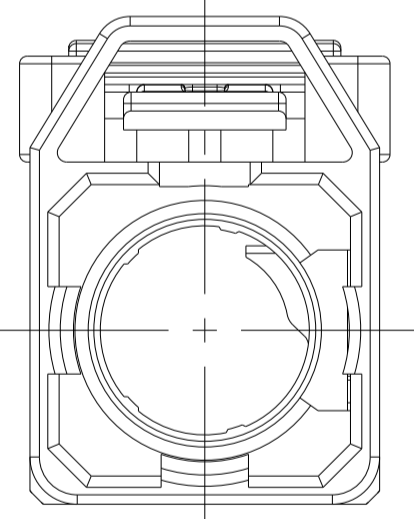
DETAIL L
SCALE 5:1



DETAIL M
SCALE 5:1



DETAIL N
SCALE 5:1



DETAIL Z
SCALE 5:1

THIS DRAWING IS A CONTROLLED DOCUMENT.

DIMENSIONS:	TOLERANCES UNLESS OTHERWISE SPECIFIED:	OWN J.A. BAKER 06APR2017	
mm	0 PLC ±0.15 1 PLC ±0.25 2 PLC ±0.30 3 PLC ±0.40 4 PLC ±0.50 ANGLES ±0.5 FINISH	CHK E.R. LOVE 28JUL2017	
		APVD E.R. LOVE 28JUL2017	NAME FEMALE HOUSING, 1 POSITION, FAKRA
MATERIAL		PRODUCT SPEC 108-32137	SIZE A1
		APPLICATION SPEC 114-32145	CAGE CODE -
		WEIGHT -	DRAWING NO. C=2203573
		CUSTOMER DRAWING	RESTRICTED TO
			SCALE 8:1 SHEET 2 OF 2 REV A1