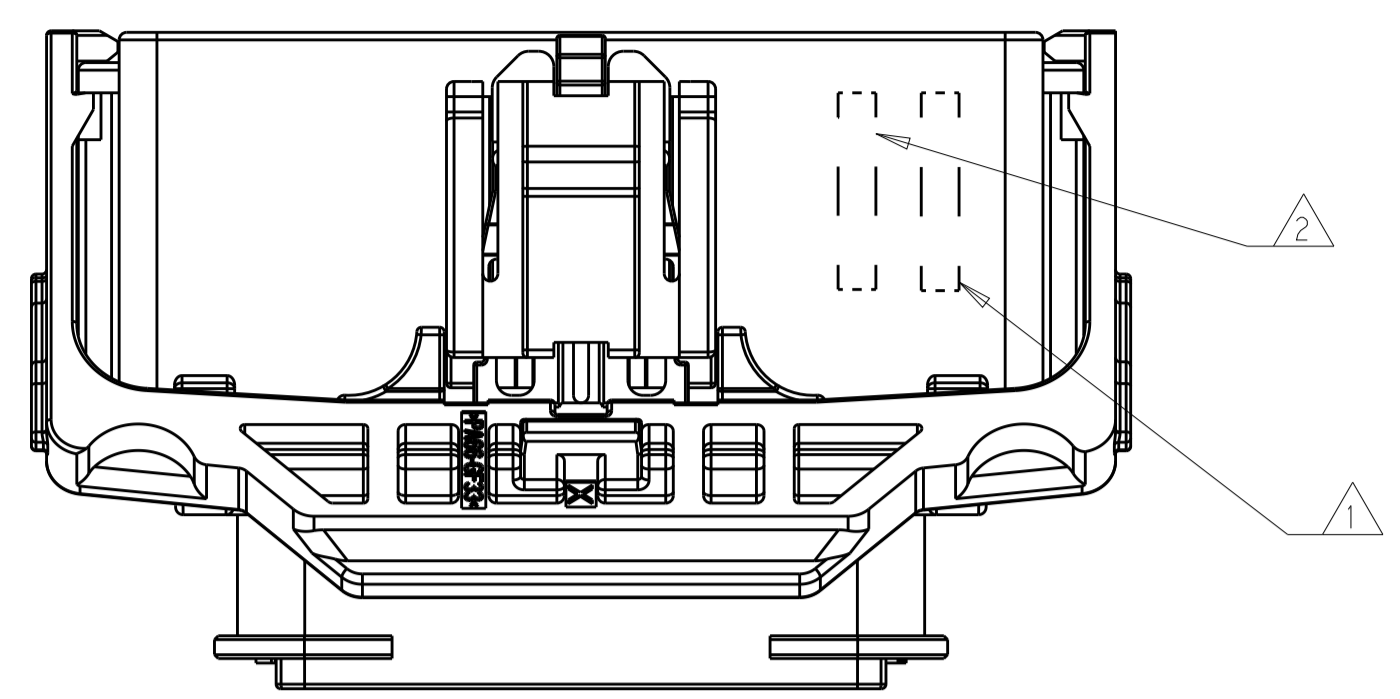
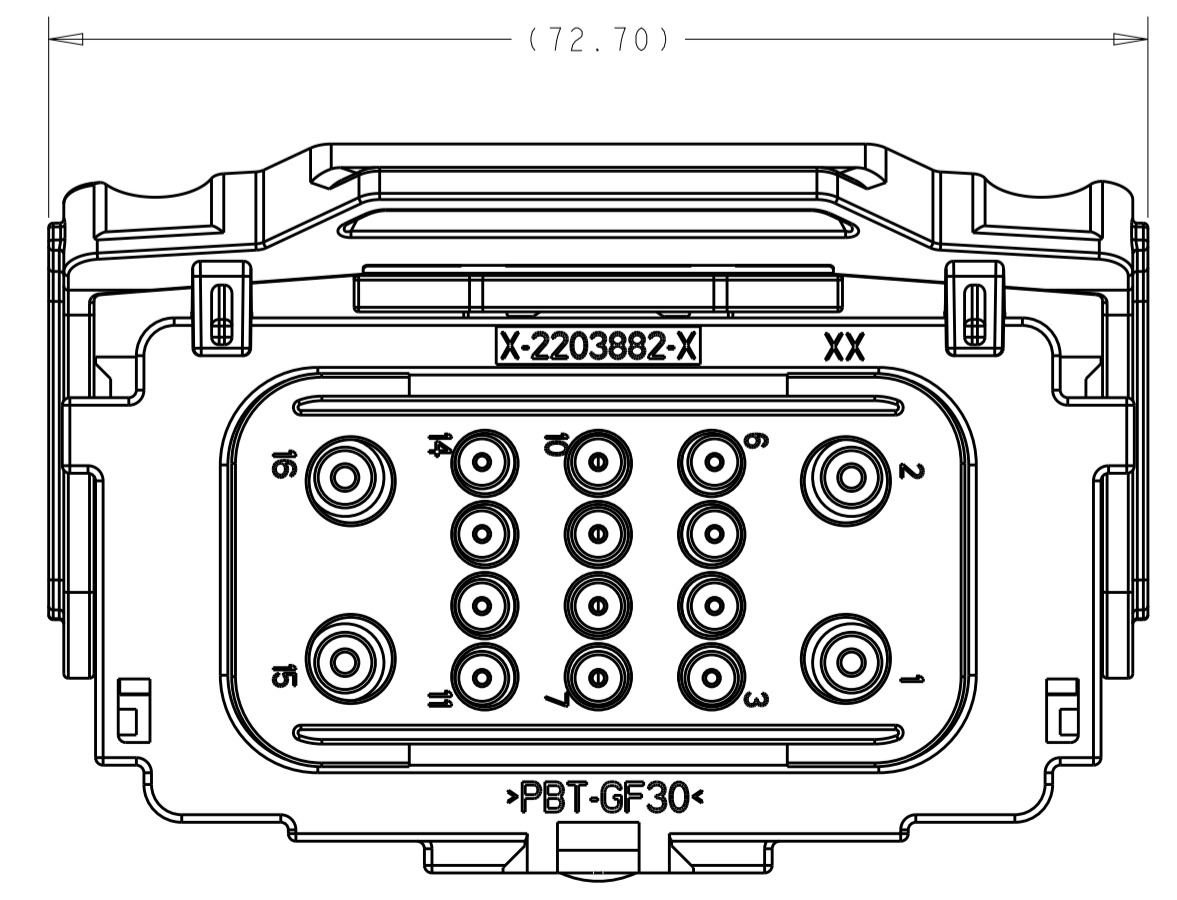
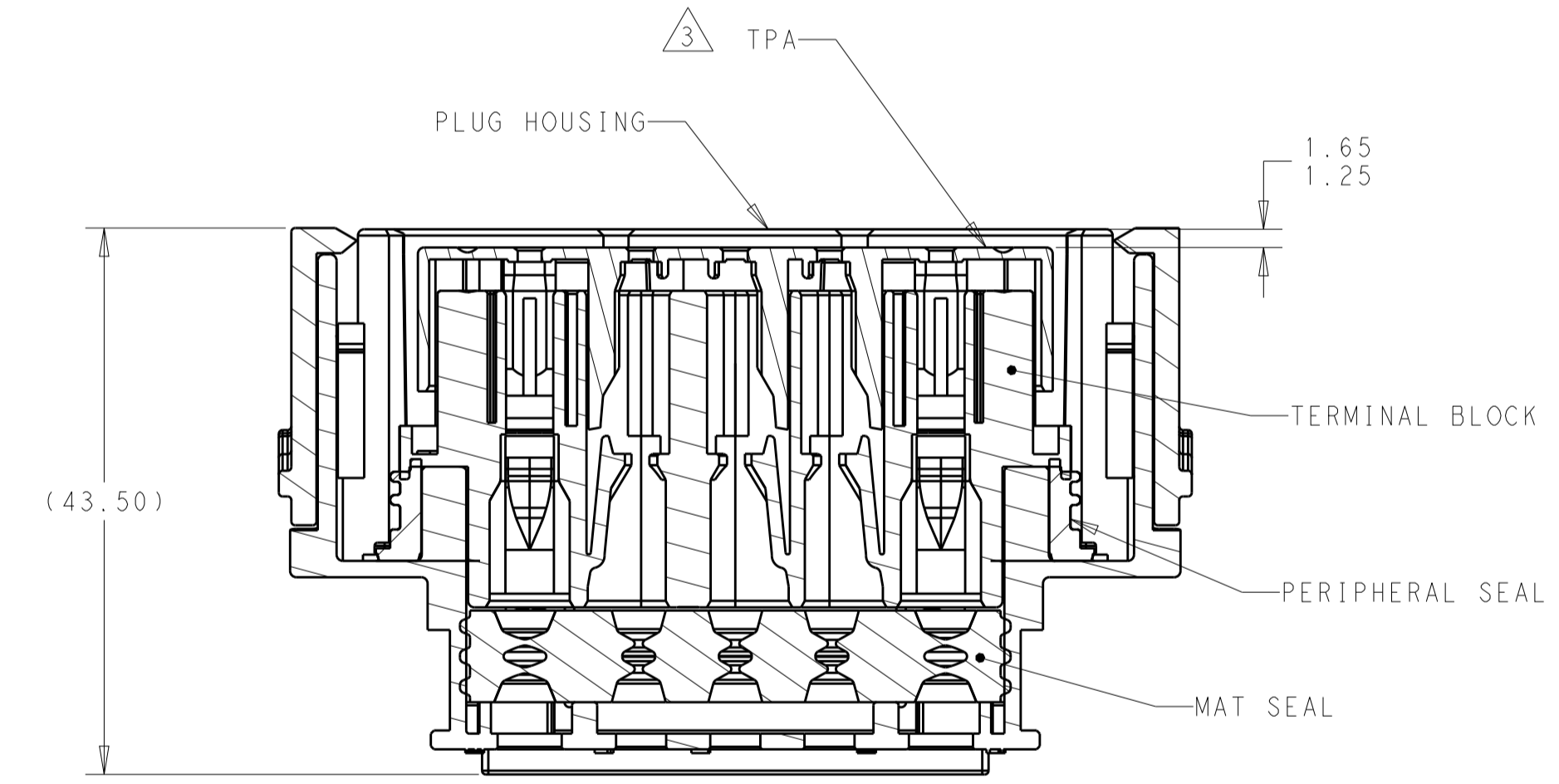
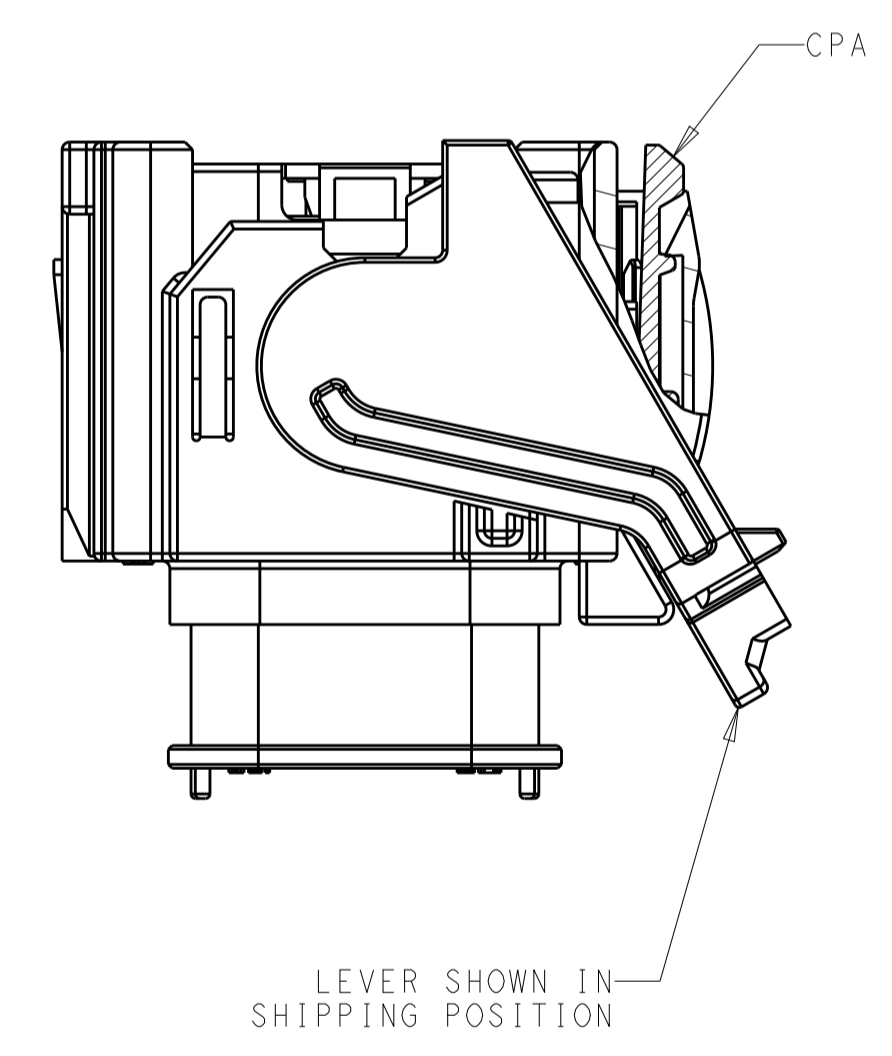
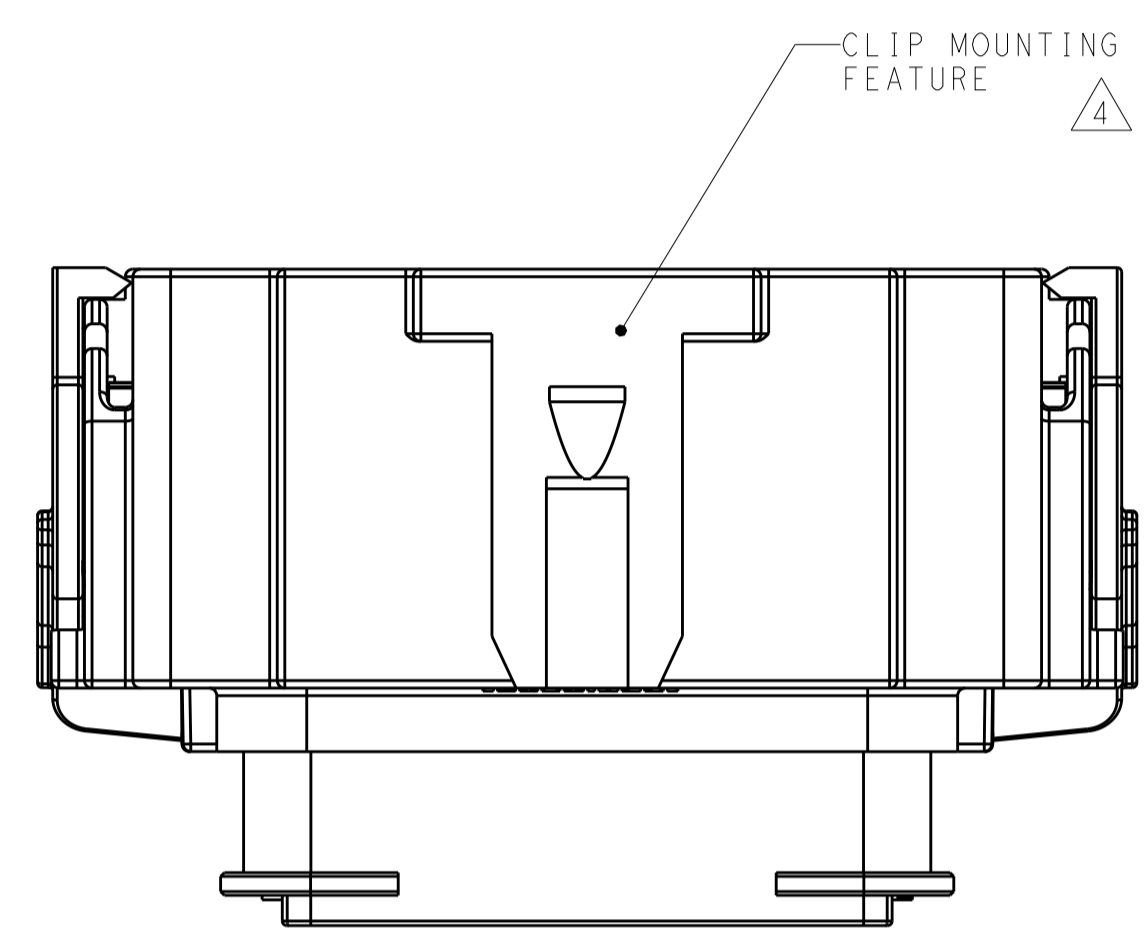
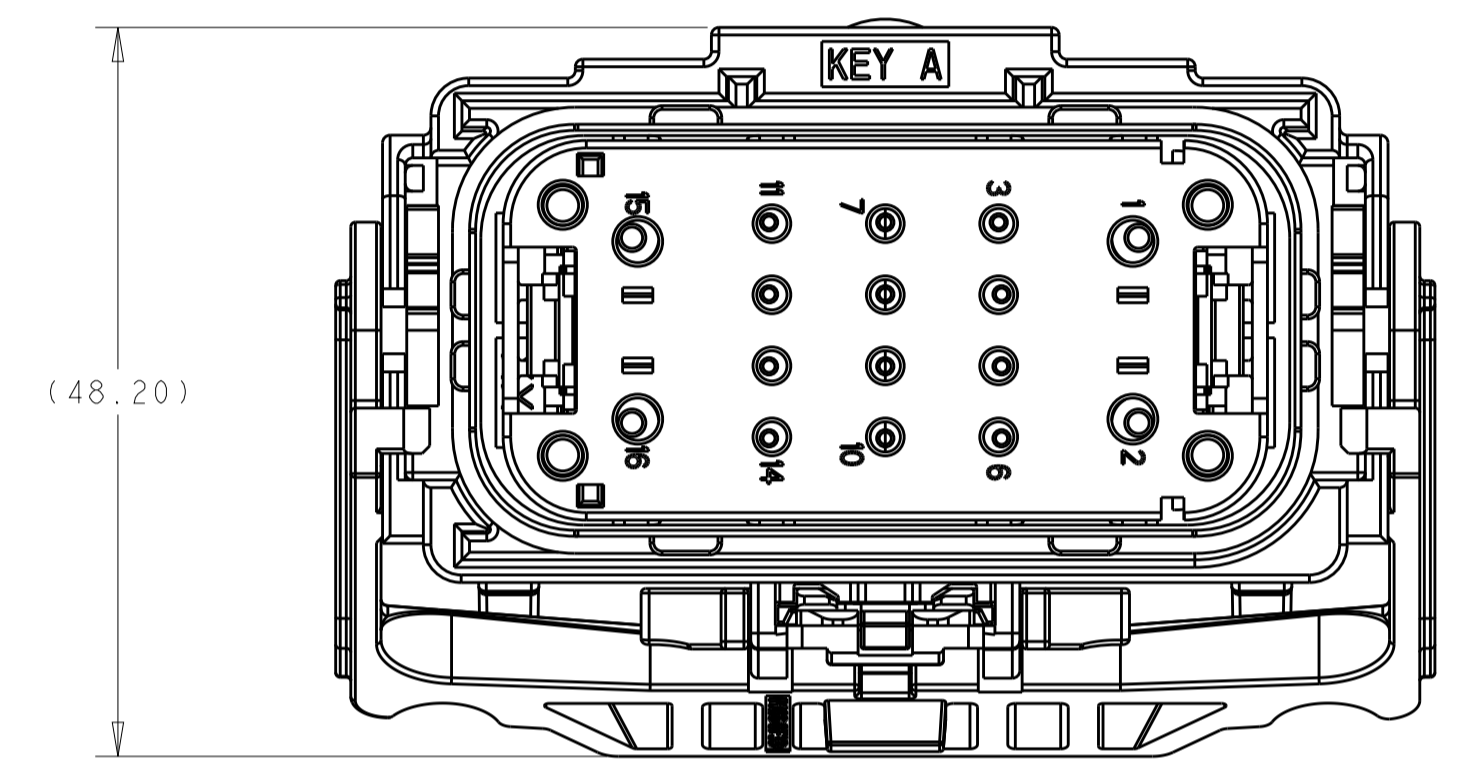


REVISIONS				
P.	LTN	DESCRIPTION	DATE	APVD
A		RELEASED ECO-20-007466	02JUN2020	DCS DCS



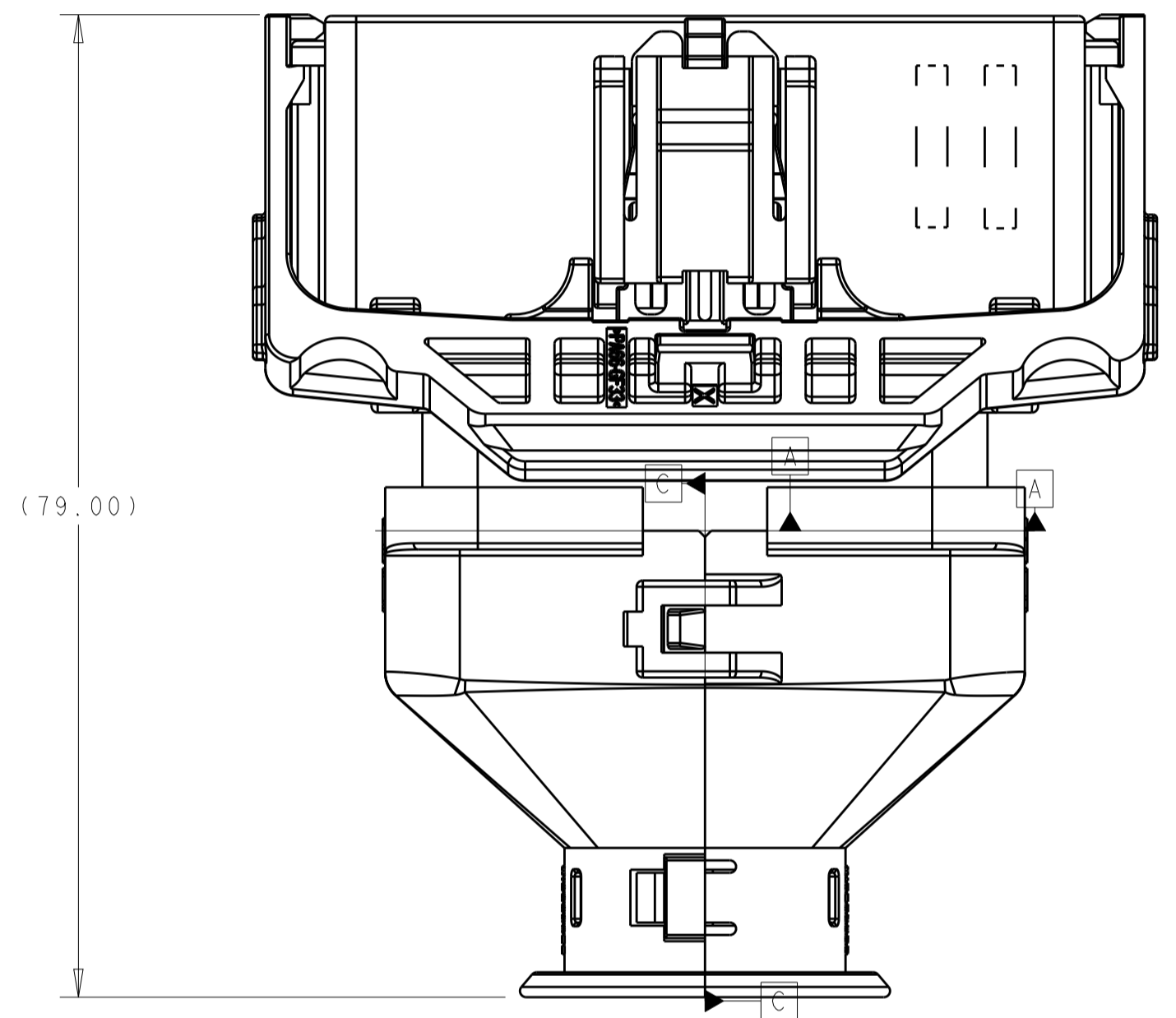
- 1 ASSEMBLY PART NUMBER LASER MARKED IN APPROXIMATE LOCATION
- 2 DATE CODE, IN 5 DIGIT FORMAT "YYDDD", LASERED IN APPROXIMATE LOCATION
- 3 TPA SHOWN IN PRESET POSITION
- 4 MOUNTING CLIP PN 1924487
- 5. MATES WITH CAP ASSEMBLY 2272889



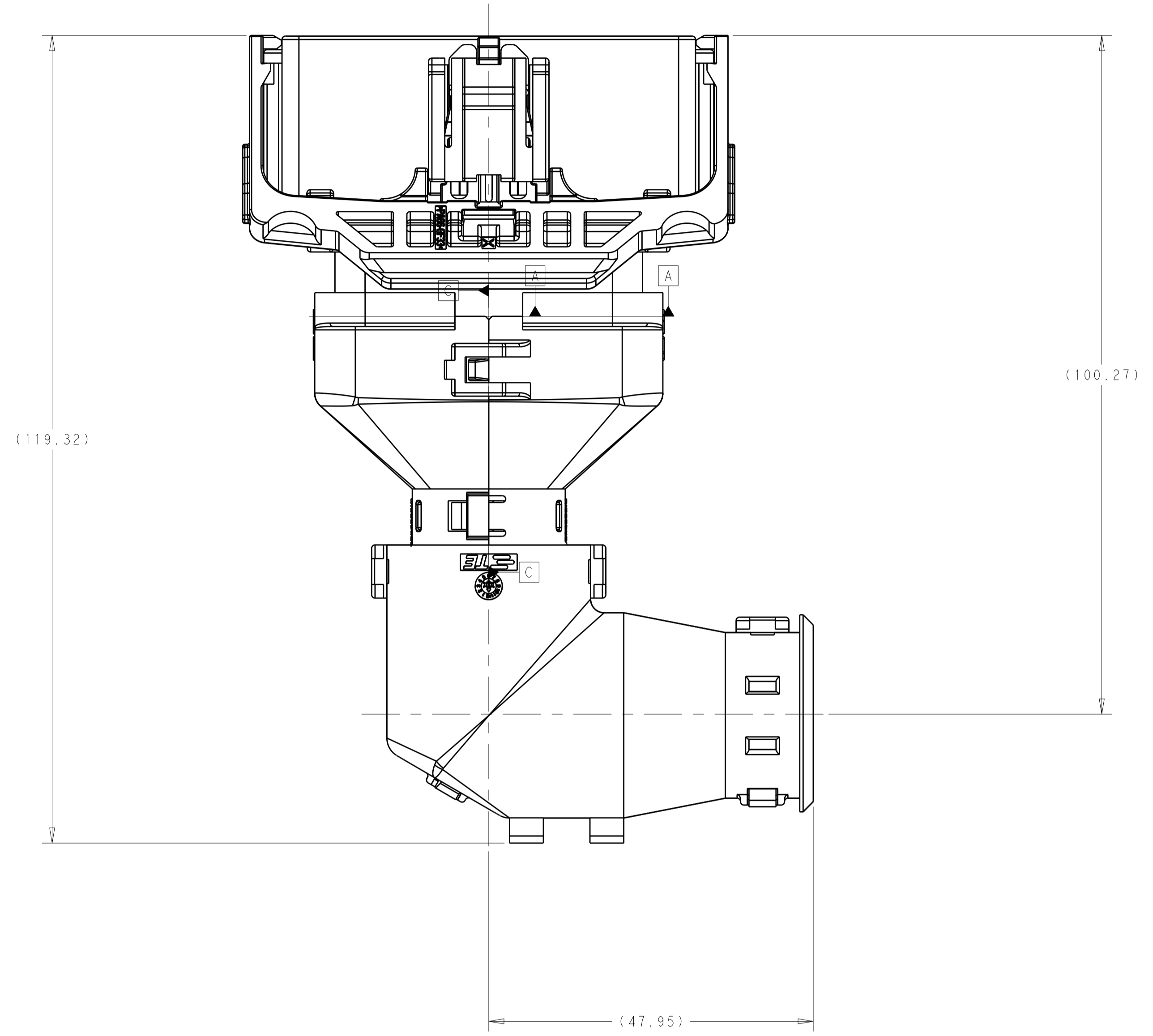
COLOR	DESCRIPTION	PART NO
GRAY	PLUG ASSEMBLY, 24 POSITION, KEY F	2203859-6
BROWN	PLUG ASSEMBLY, 24 POSITION, KEY E	2203859-5
BLACK	PLUG ASSEMBLY, 24 POSITION, KEY D	2203859-4
GRAY	PLUG ASSEMBLY, 16 POSITION, KEY C	2203859-3
BROWN	PLUG ASSEMBLY, 16 POSITION, KEY B	2203859-2
BLACK	PLUG ASSEMBLY, 16 POSITION, KEY A	2203859-1

THIS DRAWING IS A CONTROLLED DOCUMENT.		OWN: D STRAUSSER 24MAR2014	TE Connectivity
DIMENSIONS: mm		CHK: D STRAUSSER	
TOLERANCES UNLESS OTHERWISE SPECIFIED:		APVD: D STRAUSSER 02JUN2020	NAME: AMPSEAL ML CONNECTOR PLUG ASSEMBLY
0 PLC ±	1 PLC ±	PRODUCT SPEC 108-151063	SIZE: A1
2 PLC ±	3 PLC ±	APPLICATION SPEC 114-151063	CAGE CODE: -
4 PLC ±	ANGLES ±	WEIGHT: 63g	RESTRICTED TO: -
MATERIAL: -	FINISH: -	CUSTOMER DRAWING	SCALE: 2:1 SHEET 1 OF 3 REV: A

REVISIONS				
P.	LTN	DESCRIPTION	DATE	OWN APVD
-	-	SEE SHEET 1	-	-



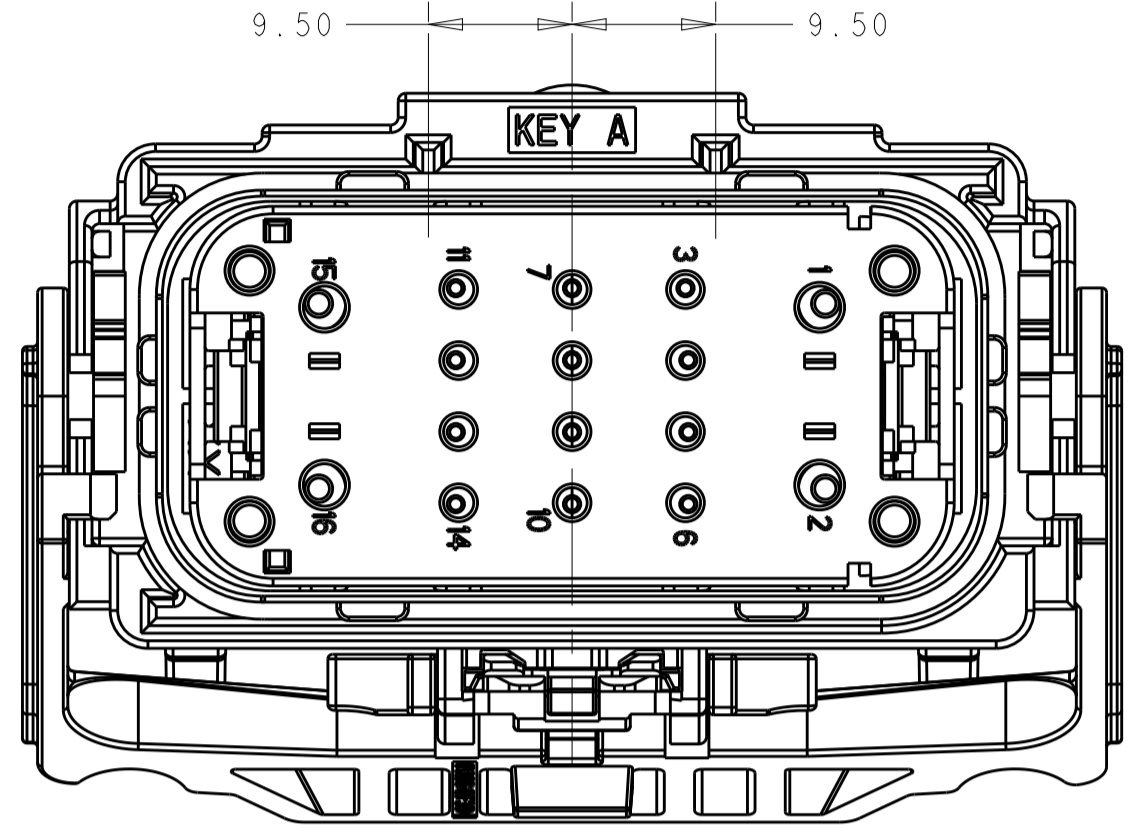
PLUG ASSEMBLY WITH OPTIONAL WIRE DRESS COVER, PN 2203956-1



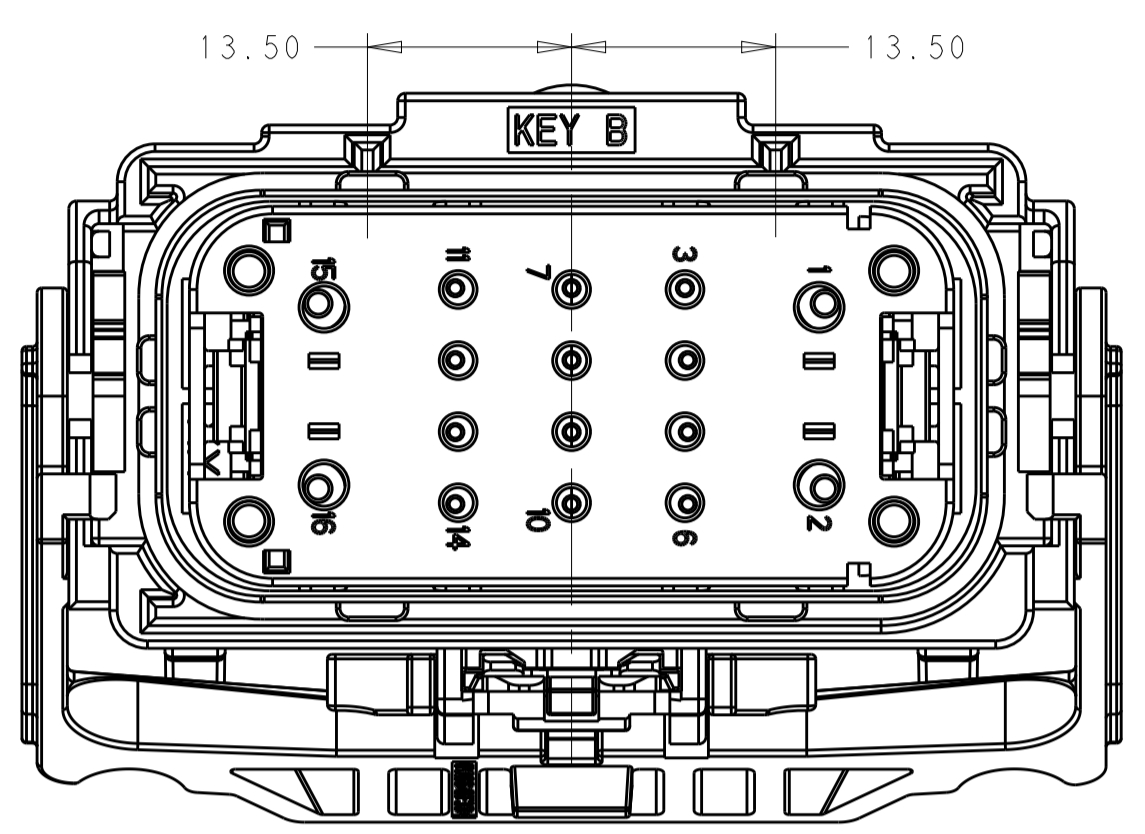
PLUG ASSEMBLY WITH OPTIONAL WIRE DRESS COVER, PN 2203956-1
90° ELBOW, PN 2272307-1

THIS DRAWING IS A CONTROLLED DOCUMENT.		OWN: D STRAUSSER 24MAR2014		
DIMENSIONS: mm		CHK: D STRAUSSER		
TOLERANCES UNLESS OTHERWISE SPECIFIED:		APVD: D STRAUSSER 02JUN2020	NAME: AMPSEAL ML CONNECTOR PLUG ASSEMBLY	
0 PLC ±		PRODUCT SPEC: 108-151063	SIZE: A1	
1 PLC ±		APPLICATION SPEC: 114-151063	CAGE CODE: -	
2 PLC ±		WEIGHT: 63g	DRAWING NO: C=2203859	
3 PLC ±		MATERIAL: -	RESTRICTED TO: -	
4 PLC ±		FINISH: -	SCALE: 2:1	
ANGLES ±		CUSTOMER DRAWING	SHEET 2 OF 3	
MATERIAL: -			REV: A	

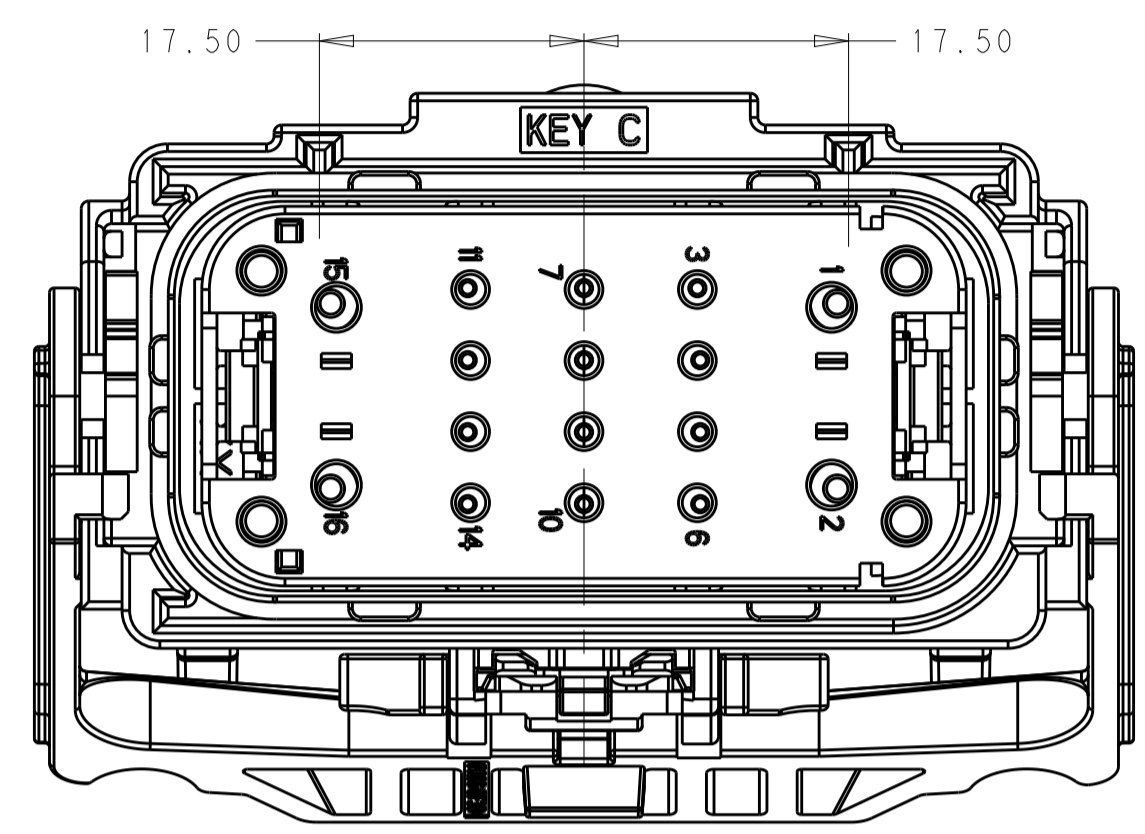
REVISIONS				
P.	LTN	DESCRIPTION	DATE	APVD
-	-	SEE SHEET 1	-	-



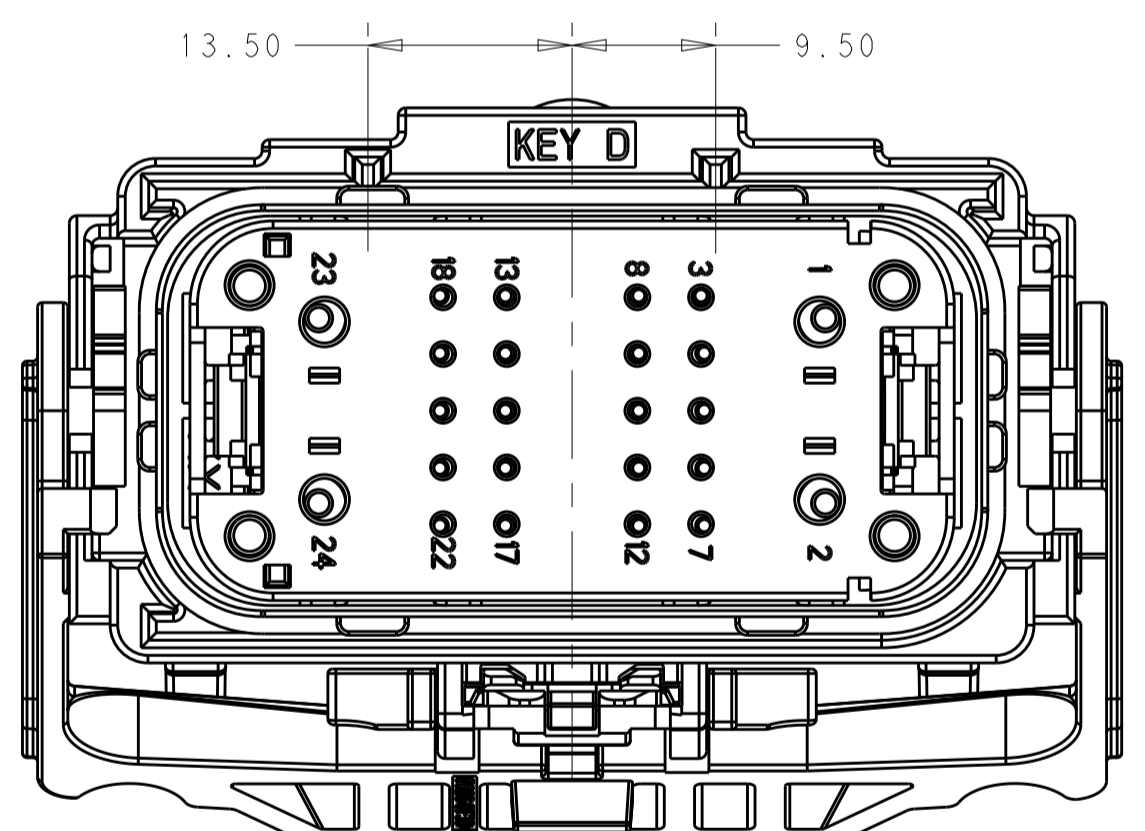
2203859-1
16 POSITION
KEY A



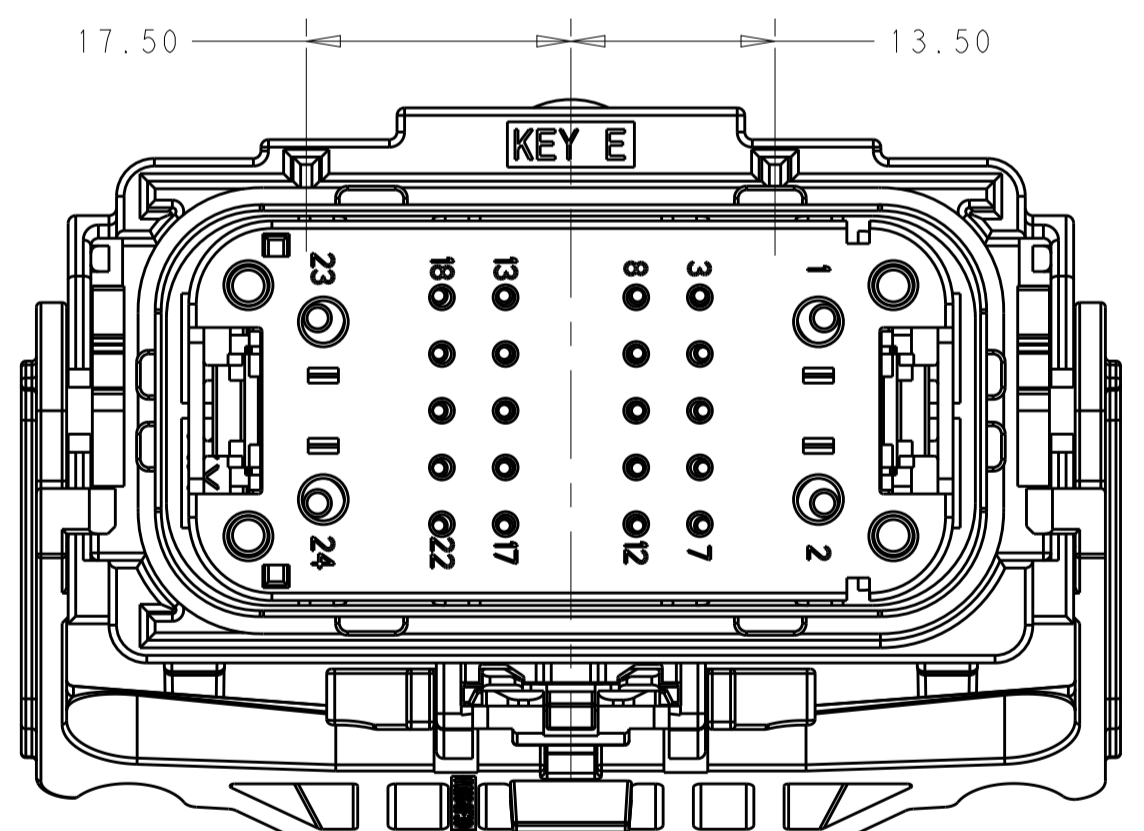
2203859-2
16 POSITION
KEY B



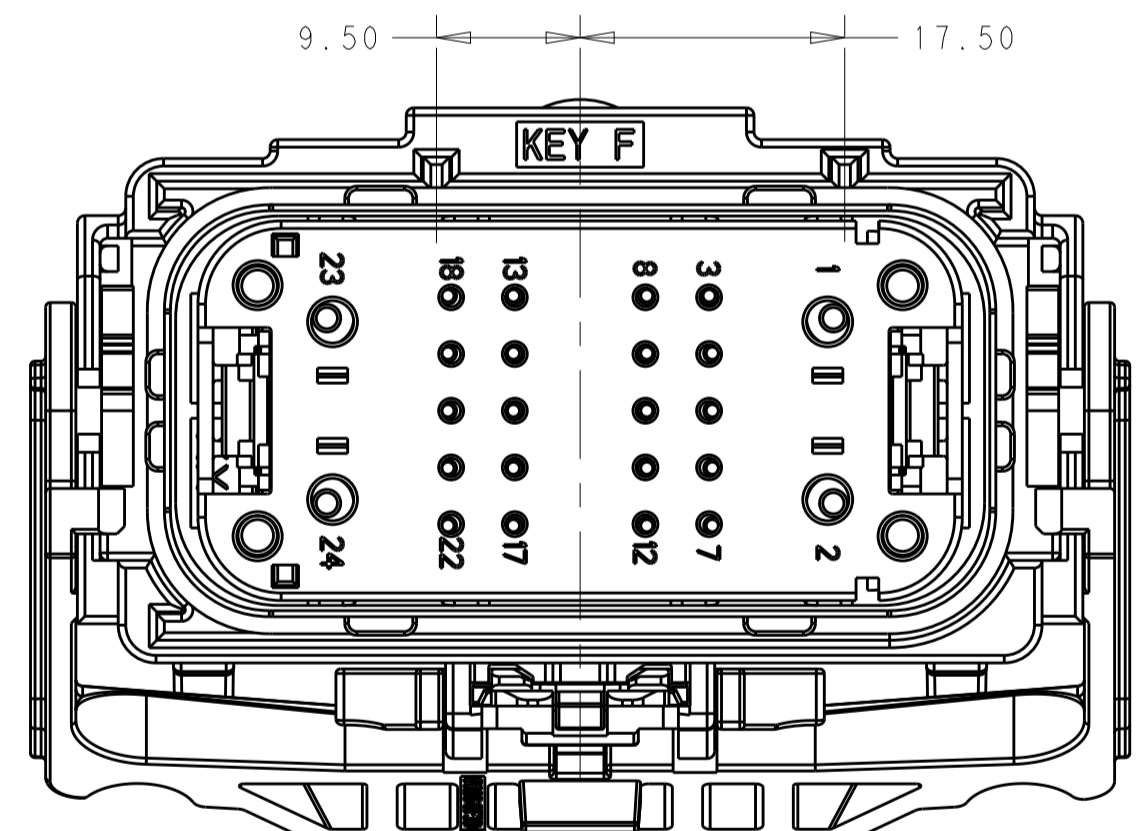
2203859-3
16 POSITION
KEY C



2203859-4
24 POSITION
KEY D



2203859-5
24 POSITION
KEY E



2203859-6
24 POSITION
KEY F

THIS DRAWING IS A CONTROLLED DOCUMENT.		OWN: D STRAUSSER 24MAR2014													
DIMENSIONS: mm		CHK: D STRAUSSER													
TOLERANCES UNLESS OTHERWISE SPECIFIED:		APVD: D STRAUSSER 02JUN2020	NAME: AMPSEAL ML CONNECTOR PLUG ASSEMBLY												
<table border="1"> <tr><td>0 PLC</td><td>±</td></tr> <tr><td>1 PLC</td><td>±</td></tr> <tr><td>2 PLC</td><td>±</td></tr> <tr><td>3 PLC</td><td>±</td></tr> <tr><td>4 PLC</td><td>±</td></tr> <tr><td>ANGLES</td><td>±</td></tr> </table>		0 PLC	±	1 PLC	±	2 PLC	±	3 PLC	±	4 PLC	±	ANGLES	±	PRODUCT SPEC: 108-151063	SIZE: A1
0 PLC	±														
1 PLC	±														
2 PLC	±														
3 PLC	±														
4 PLC	±														
ANGLES	±														
MATERIAL: -		APPLICATION SPEC: 114-151063	CAGE CODE: -												
FINISH: -		WEIGHT: 63g	DRAWING NO: C=2203859												
CUSTOMER DRAWING		SCALE: 2:1	SHEET 3 OF 3												