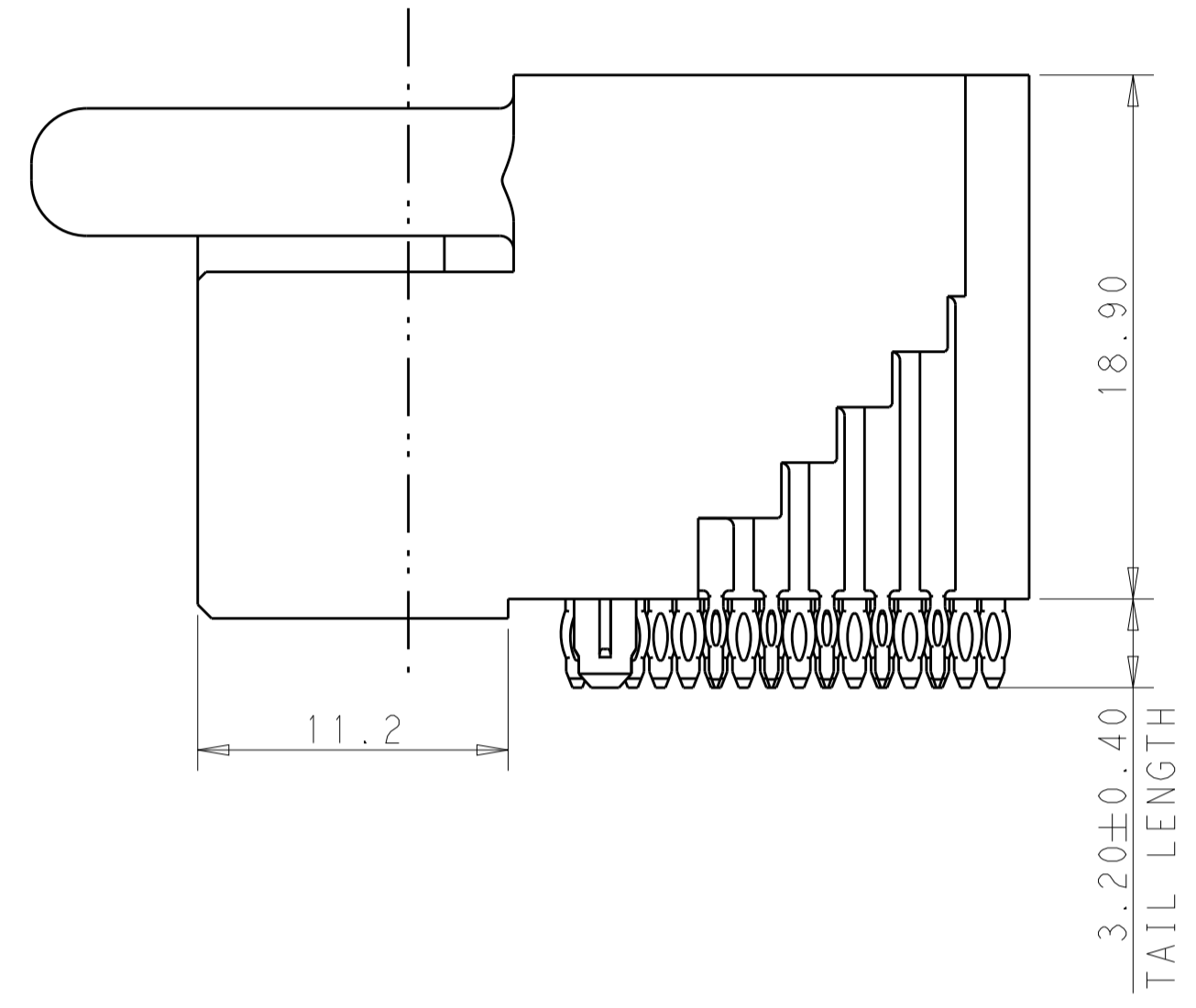
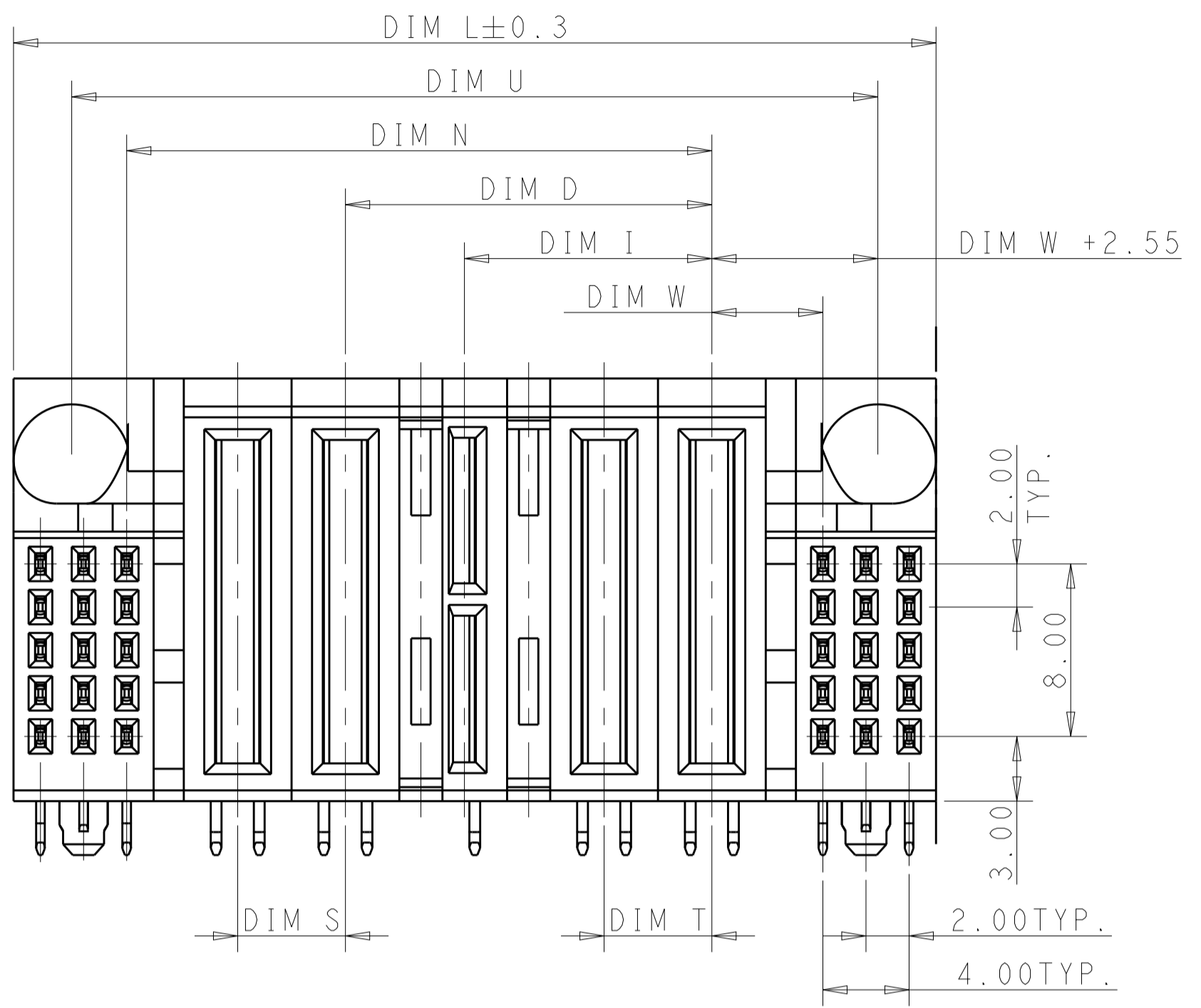
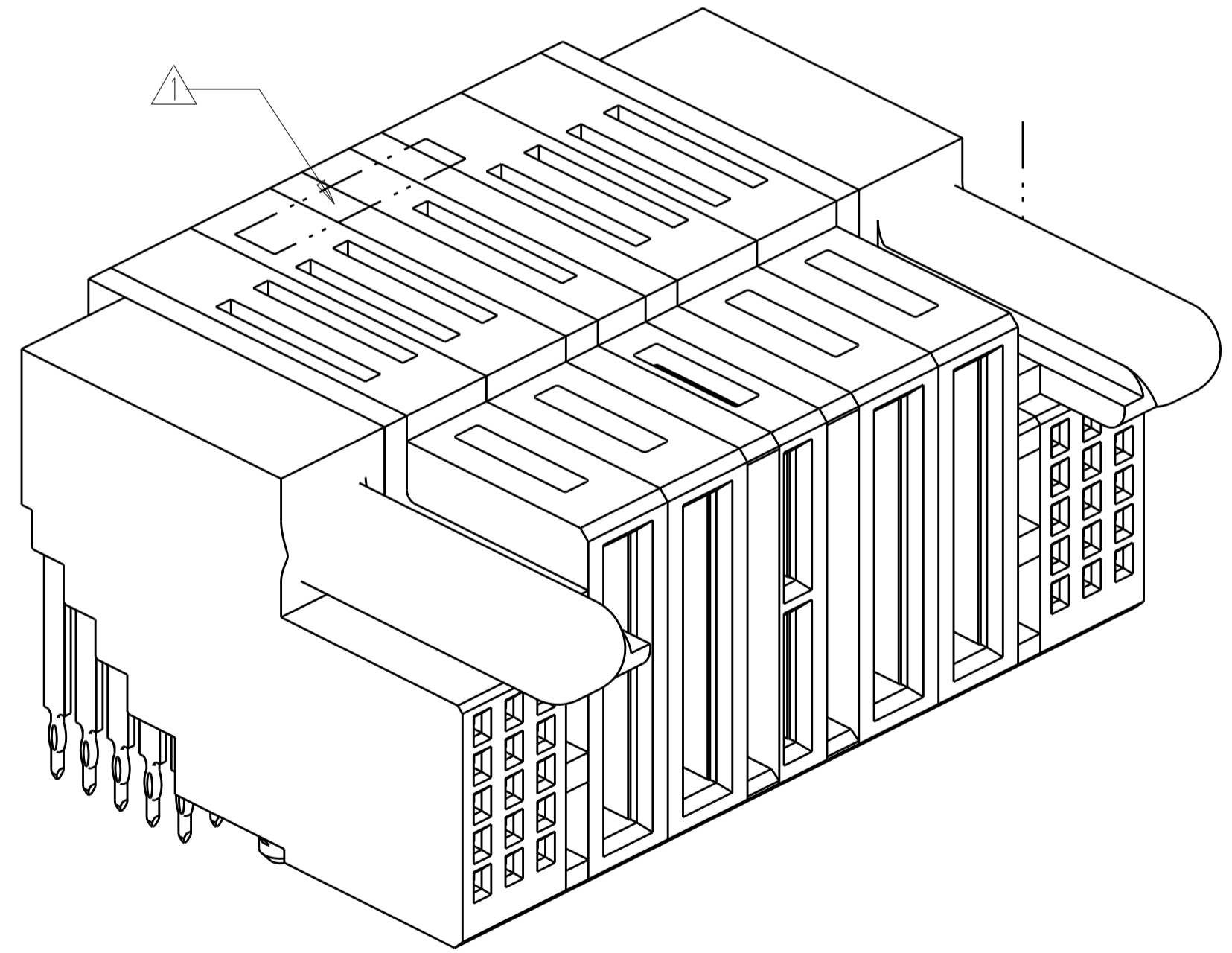
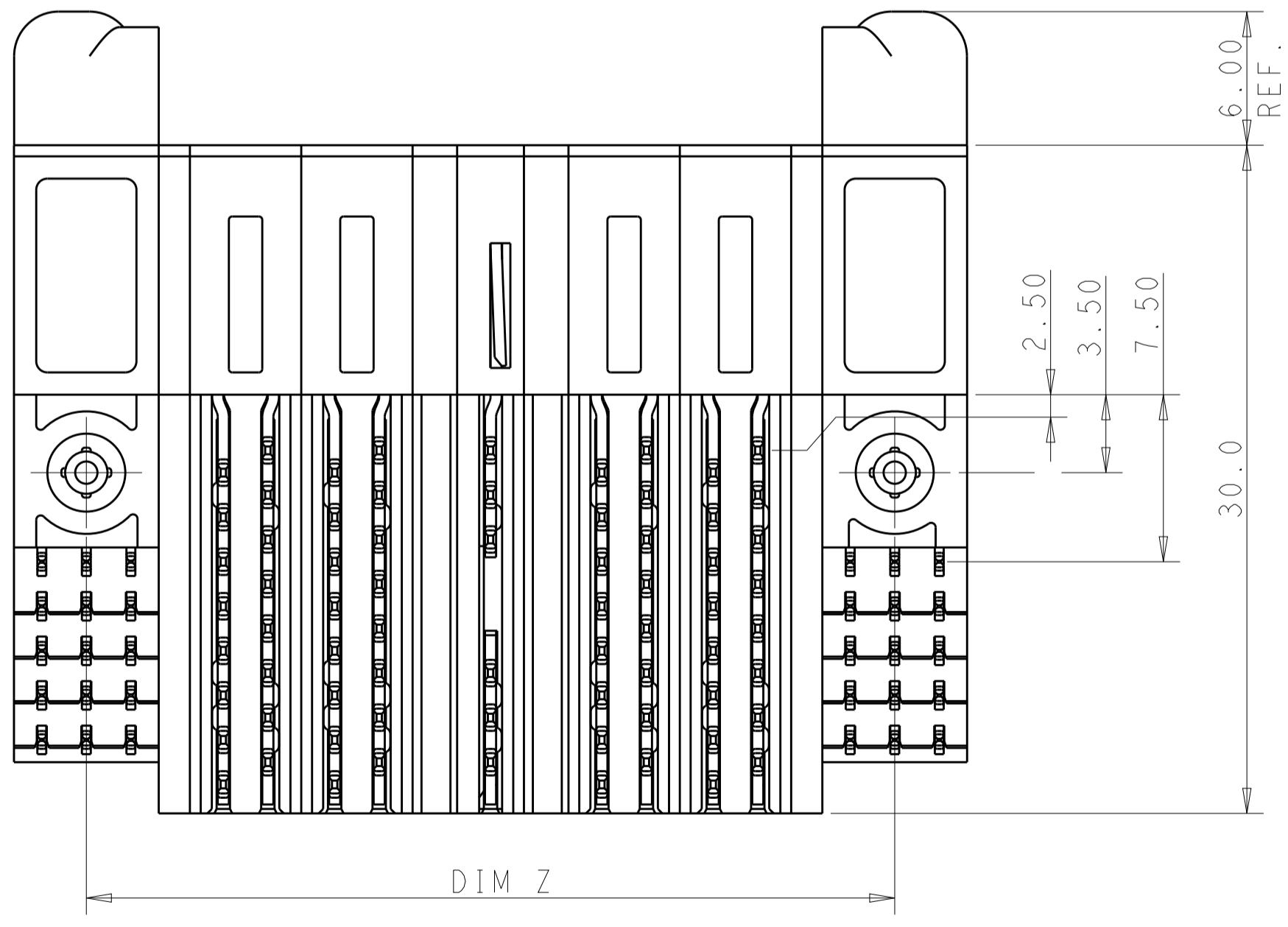


LOC	DIST	REV	DATE	BY	CHK	APPROV
-	-	A	09AUG2016	TZ	SZ	



NOTES, UNLESS OTHERWISE SPECIFIED:

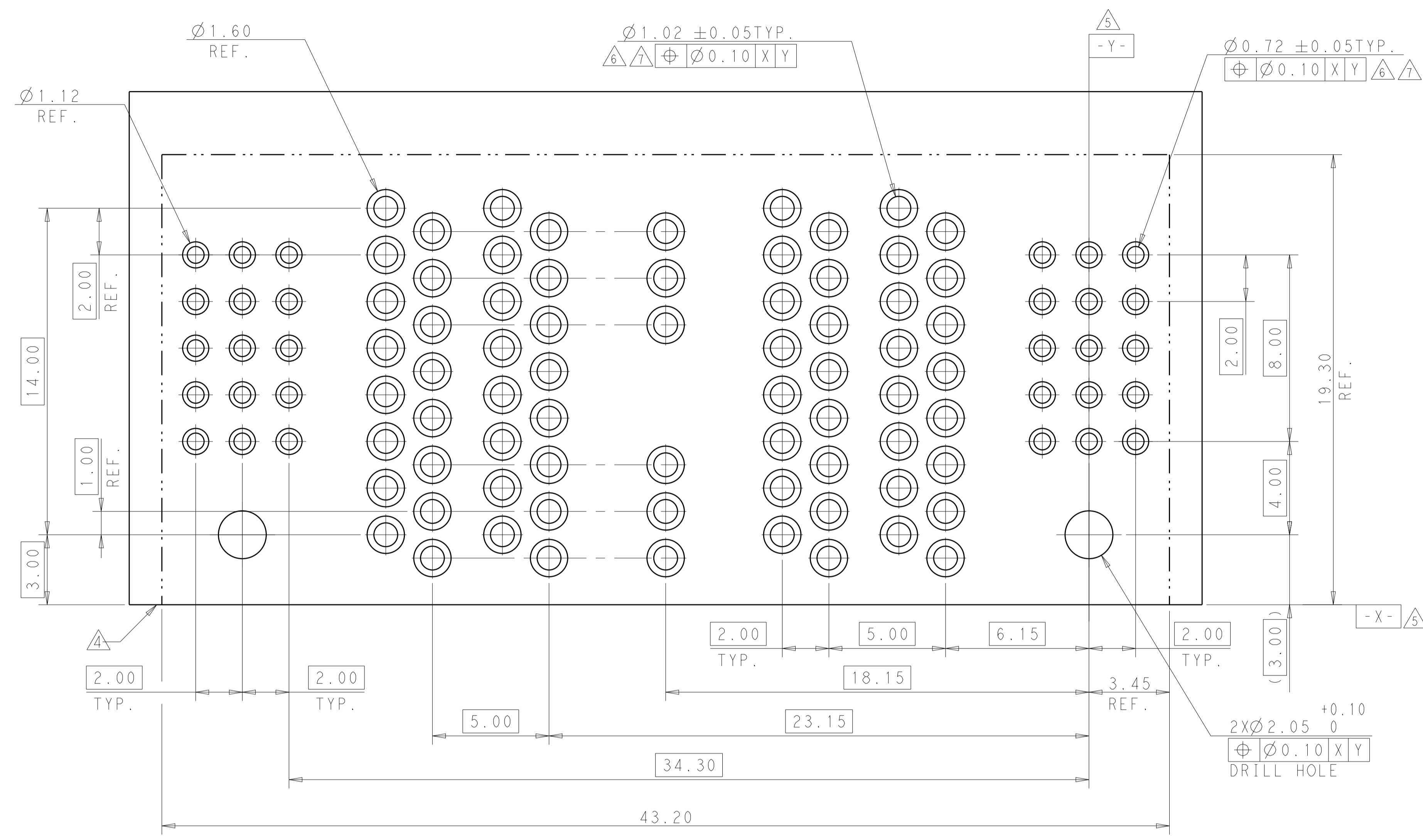
- △ "TE", PART NUMBER AND DATE CODE TO BE MARKED IN AREA SHOWN.
- △ MATERIAL:
 - HOUSING - GLASS FILLED HIGH TEMP THERMO PLASTIC, COLOR: BLACK, UL94 V- 0.
 - SIGNAL CONTACT - HIGH CONDUCTIVITY COPPER ALLOY.
 - POWER CONTACT - HIGH CONDUCTIVITY COPPER ALLOY.
- △ CONTACT PLATING:
 - MATING AREA - NOBLE METAL OVERALL NICKEL
 - TAIL SIDE AREA - MATTE TIN OVERALL NICKEL.
- △ MECHANICAL CONNECTOR KEEP OUT ZONE.
- △ DATUM AND BASIC DIMENSIONS ESTABLISHED BY CUSTOMER.
- △ PCB - ALL HOLE DIAMETERS ARE FINISHED HOLE SIZES.
- △ PCB HOLE:
 - POWER - 1.15 ± 0.025 MM DRILLED HOLES SIZE PLATING WITH 0.0076 MM MIN. Sn OVER 0.025~0.076 MM Cu PLATING TO ACHIEVE A 1.02 MM DIA. HOLE.
 - SIGNAL - 0.835 ± 0.025 MM DRILLED HOLES SIZE PLATING WITH 0.0076 MM MIN. Sn OVER 0.025~0.076 MM Cu PLATING TO ACHIEVE A 0.72 MM DIA. HOLE.



42.8	37.40	27.15	17.00	11.48	5.15	5.00	36.30	5.00	15S+2P+2LP+2P+15S	2204401-1
DIM L	DIM U	DIM N	DIM D	DIM I	DIM W	DIM S	DIM Z	DIM T	DESCRIPTION	PART NUMBER

THIS DRAWING IS A CONTROLLED DOCUMENT.		DWN THOMAS_ZHAO 04JUL2013	TE Connectivity Customer Drawing R/A RECEPTACLE WITH LP PRESS FIT MULTI-BEAM HD S+P+LP+P+S
DIMENSIONS: mm		CHK SUNY_ZHAO 04JUL2013	
TOLERANCES UNLESS OTHERWISE SPECIFIED:		APPR SUNY_ZHAO 04JUL2013	NAME
0 PLC ±0.4 2 PLC ±0.4 3 PLC ±0.75 4 PLC ±1.0 ANGLES ±°		PRODUCT SPEC	SIZE
MATERIAL FINISH		APPLICATION SPEC	CAGE CODE DRAWING NO
△ △		WEIGHT	RESTRICTED TO
CUSTOMER DRAWING		A1	SCALE 4:1 SHEET 1 OF 3 REV A

LOC	DIST	REVISIONS			
P	LTH	DESCRIPTION	DATE	DMN	APVD
-	-	SEE SHEET 1	-	-	-



PART NUMBER	ROWS	SIGNAL			POWER					SIGNAL		
		6	5	4	P4	P3	LP	P2	PI	3	2	1
2204401-1	E	SR	SR	SR	PR	PR	LR1	PR	PR	SR	SR	SR
	D	SR	SR	SR						SR	SR	SR
	C	SR	SR	SR	LR2	SR	SR	SR				
	B	SR	SR	SR		SR	SR	SR				
	A	SR	SR	SR	SR	SR	SR					

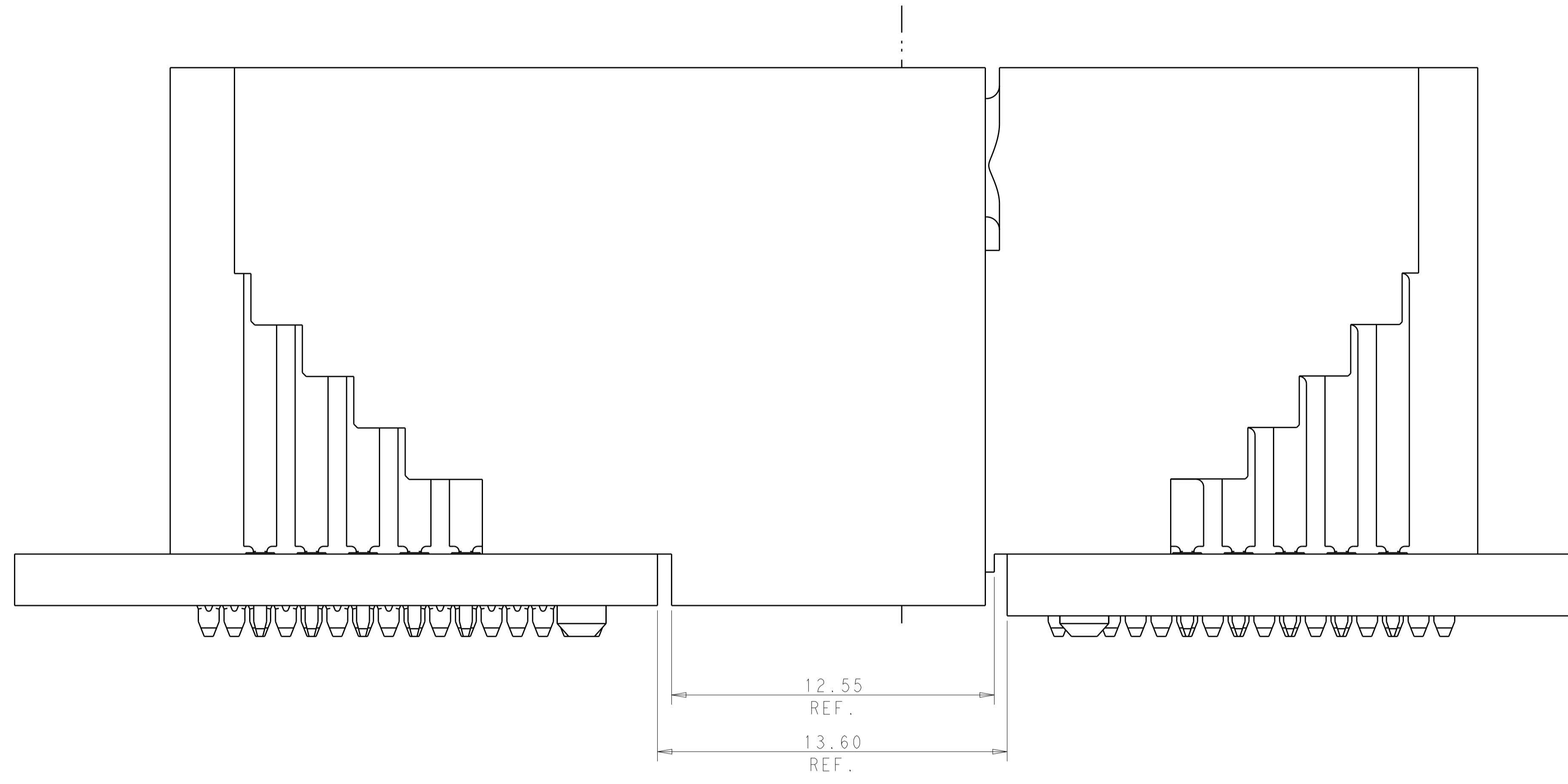
15S+2P+2LP+2P+15S

DESCRIPTION	CODE
POWER CONTACT MFBL PRESS FIT	PR
LP TOP CONTACT MFBL PRESS FIT	LR1
LP BOTTOM CONTACT MFBL PRESS FIT	LR2
SIGNAL CONTACT PRESS FIT	SR1
SIGNAL/HP/LP/HP/SIGNAL WITH GUIDE	HOUSING

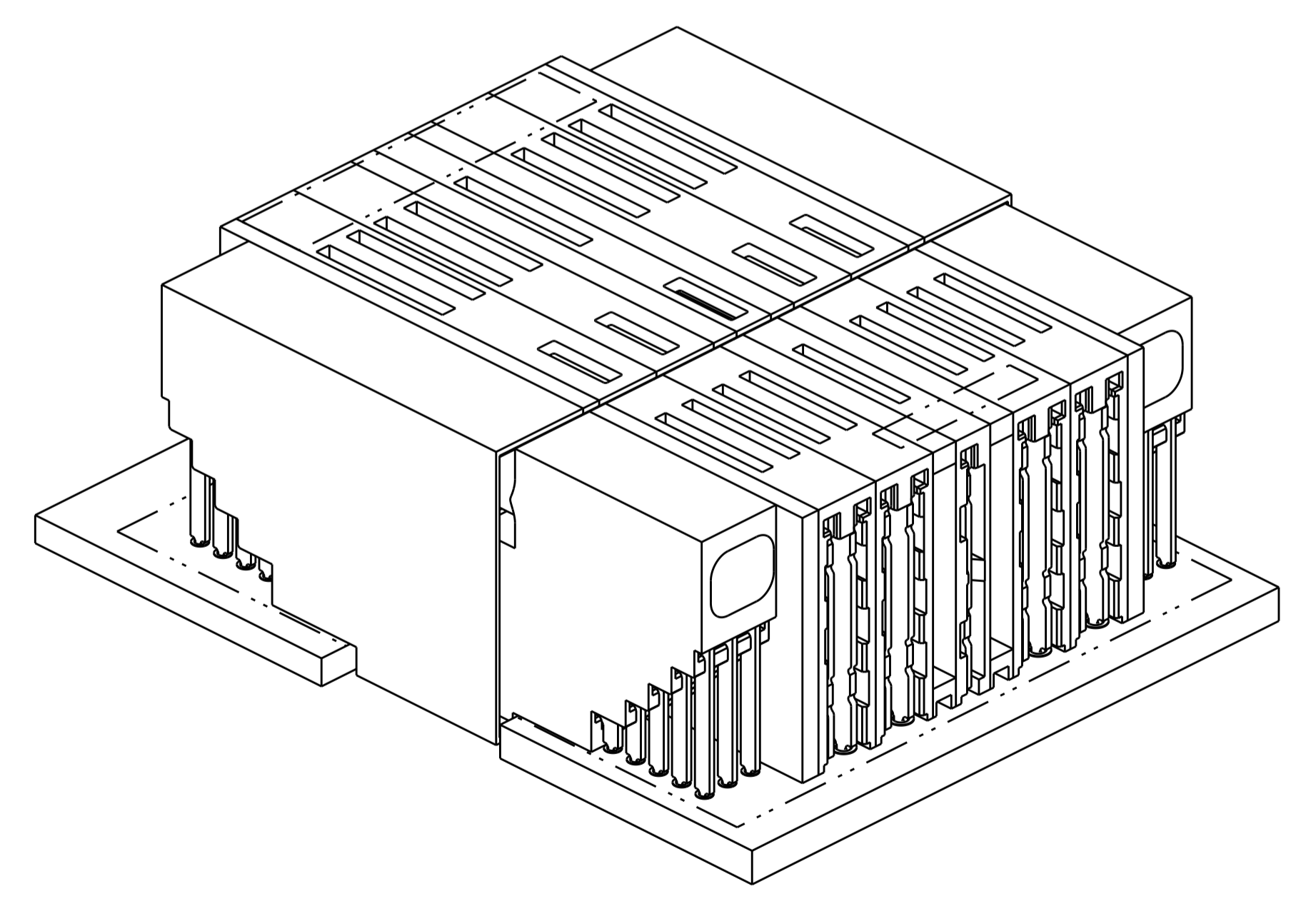
THIS DRAWING IS A CONTROLLED DOCUMENT.		DMN: THOMAS_ZHAO 04JUL2013	TE Connectivity
DIMENSIONS: mm		CHK: SUNY_ZHAO 04JUL2013	
TOLERANCES UNLESS OTHERWISE SPECIFIED:		APVD: SUNY_ZHAO 04JUL2013	NAME: Customer Drawing
0 PLC ±0.4		PRODUCT SPEC	R/A RECEPTACLE WITH LP PRESS FIT
1 PLC ±0.4		APPLICATION SPEC	MULTI-BEAM HD S+P+LP+P+S
2 PLC ±0.75		SIZE: A1	RESTRICTED TO
3 PLC ±1.5		SCALE: 3:1	SHEET 2 OF 3
4 PLC ±		WEIGHT: -	REV: A
ANGLES ±		CUSTOMER DRAWING	

THIS DRAWING IS UNPUBLISHED. RELEASED FOR PUBLICATION 20
 © COPYRIGHT 20 . ALL RIGHTS RESERVED.

LOC		DIST		REVISIONS			
P.	LTN	DESCRIPTION	DATE	DMN	APVD		
-	-	SEE SHEET 1	-	-	-		



THE DISTANCE IS 0.05 MM MATING FACE FROM R/A PLUG TO VERTICAL RECEPTACLE



THIS DRAWING IS A CONTROLLED DOCUMENT.		DMN THOMAS_ZHAO 04JUL2013	TE Connectivity
DIMENSIONS: mm		CHK SUNY_ZHAO 04JUL2013	
TOLERANCES UNLESS OTHERWISE SPECIFIED:		APVD SUNY_ZHAO 04JUL2013	NAME Customer Drawing
0 PLC ±0.4		PRODUCT SPEC	R/A RECEPTACLE WITH LP PRESS FIT
1 PLC ±0.4		APPLICATION SPEC	MULTI-BEAM HD S+P+LP+P+S
2 PLC ±0.25		SIZE CAGE CODE DRAWING NO	A1 - C=2204401
3 PLC ±0.15		RESTRICTED TO	
4 PLC ±		WEIGHT	
ANGLES ±		CUSTOMER DRAWING	SCALE 3:1 SHEET 3 OF 3 REV A
MATERIAL	FINISH		