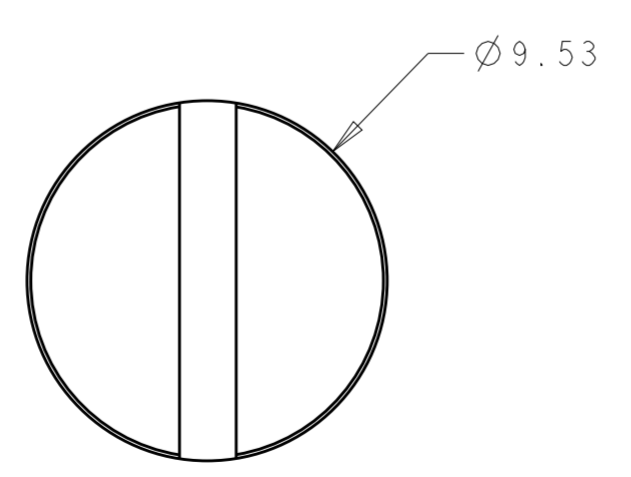
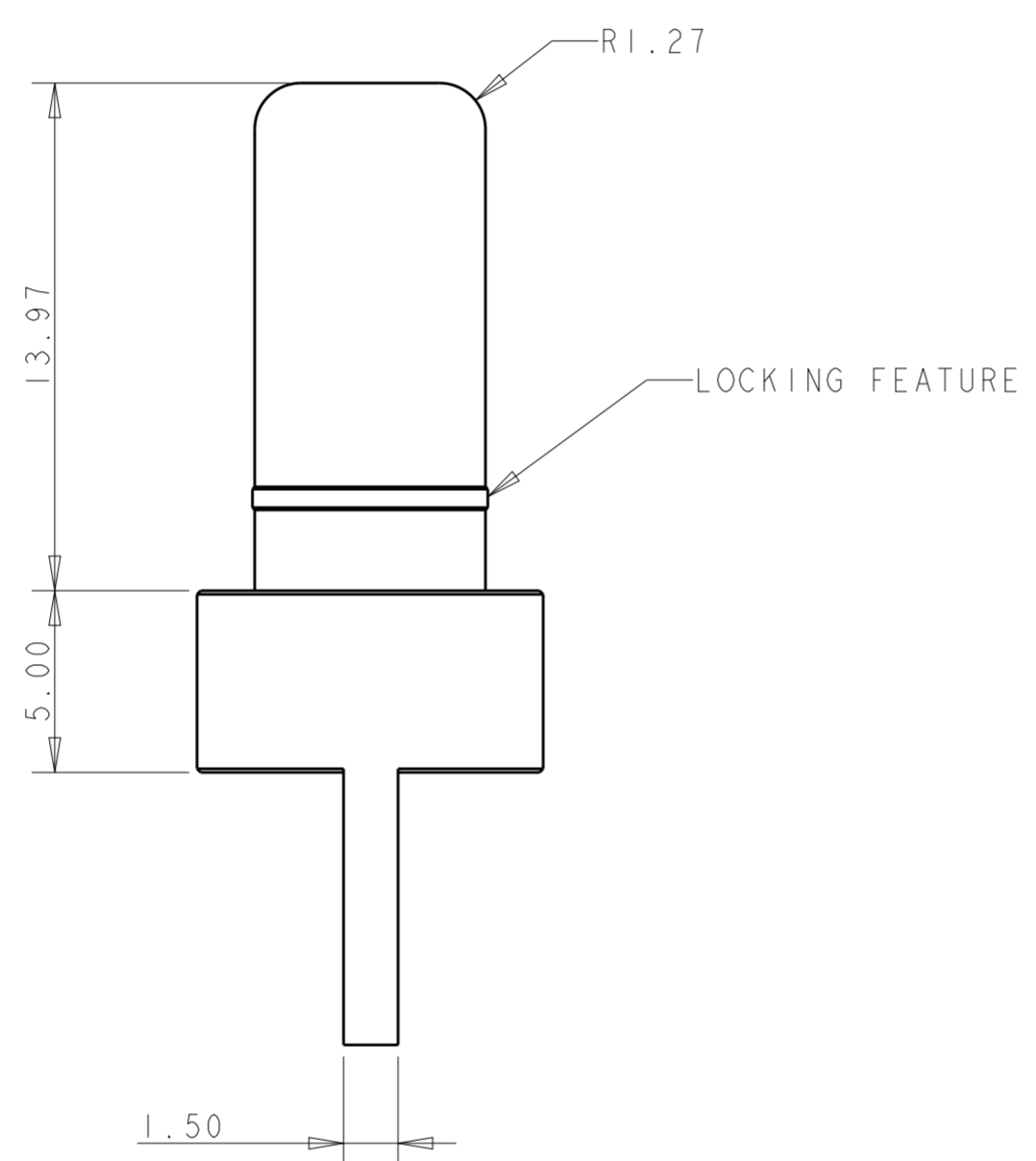
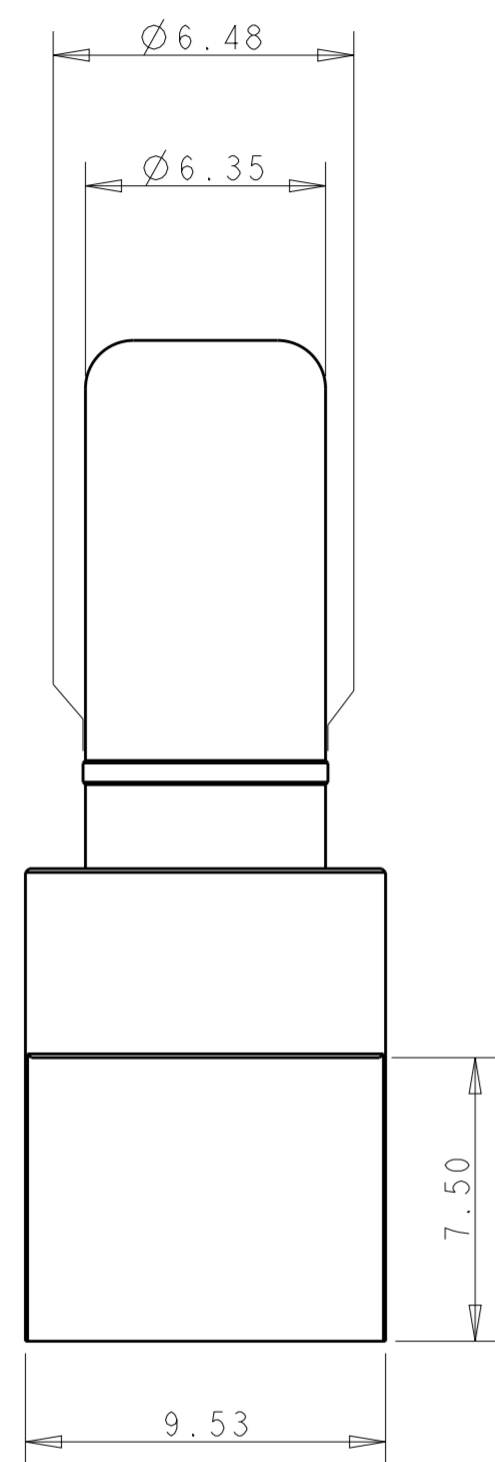
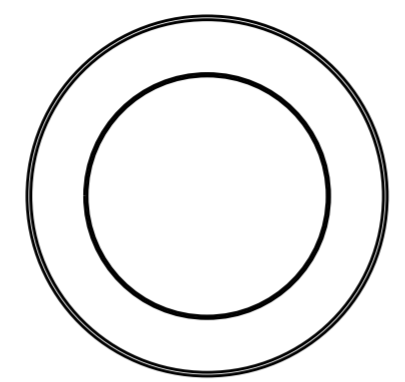


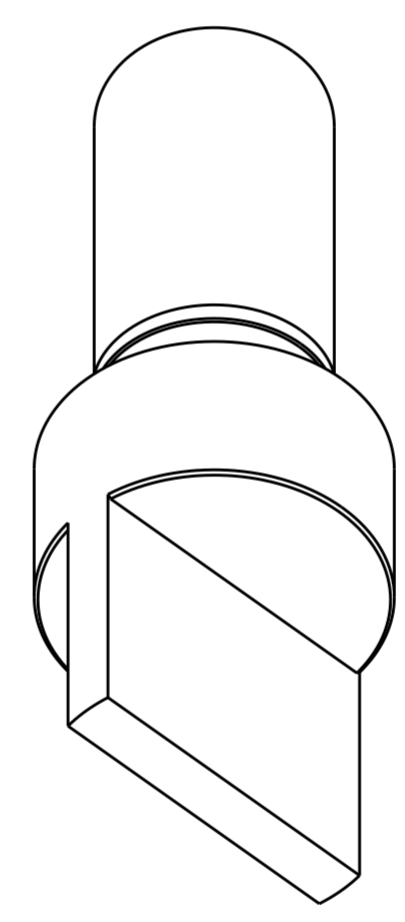
THIS DRAWING IS UNPUBLISHED. RELEASED FOR PUBLICATION 20
 © COPYRIGHT 20 BY - TE CONNECTIVITY ALL RIGHTS RESERVED.

REVISIONS				
P	LTR	DESCRIPTION	DATE	APVD
1		INITIAL RELEASE	27APR2015	TZ SZ



NOTES:

- PART NUMBER CHANGES AND/OR DESIGN CHANGES AFFECTING ITEM INTERCHANGEABILITY REQUIRE PRIOR TYCO APPROVAL AND AUTHORIZATION BY REVISION TO THIS DRAWING.
 - ITEMS PROVIDED TO THIS SPECIFICATION SHALL BE IDENTIFIED ON THE CONTAINER WITH THE FOLLOWING INFORMATION:
PART NUMBER & DATE CODE OF MANUFACTURE.
- ③ CONTACT MATERIAL: ETP COPPER
 - ④ CONTACT FINISH: SILVER PLATE OVER COPPER UNDERPLATE ON THE MATING AREA(ROUND FEATURE). NO PLATING ON PLAT FEATURE AREA.



RAPID LOCK PIN #4	2204510-1
DESCRIPTION	PART NUMBER

THIS DRAWING IS A CONTROLLED DOCUMENT.		DWN THOMAS ZHAO 27APR2015	TE Connectivity	
DIMENSIONS: mm		CHK SUNY ZHAO 27APR2015		
TOLERANCES UNLESS OTHERWISE SPECIFIED:		APVD SUNY ZHAO 27APR2015	NAME PIN CONTACT, SIZ 4 LOCKING STYLE, RAPID LOCK POWER	
0 PLC ±	±0.1	PRODUCT SPEC	SIZE CAGE CODE DRAWING NO RESTRICTED TO	
1 PLC ±0.1	±0.20	APPLICATION SPEC	A200779 C-2204510	
2 PLC ±	±	WEIGHT	SCALE 5:1 SHEET OF REV	
3 PLC ±	±2°	Customer Drawing		
4 PLC ±	±			
ANGLES ±2°				
FINISH				