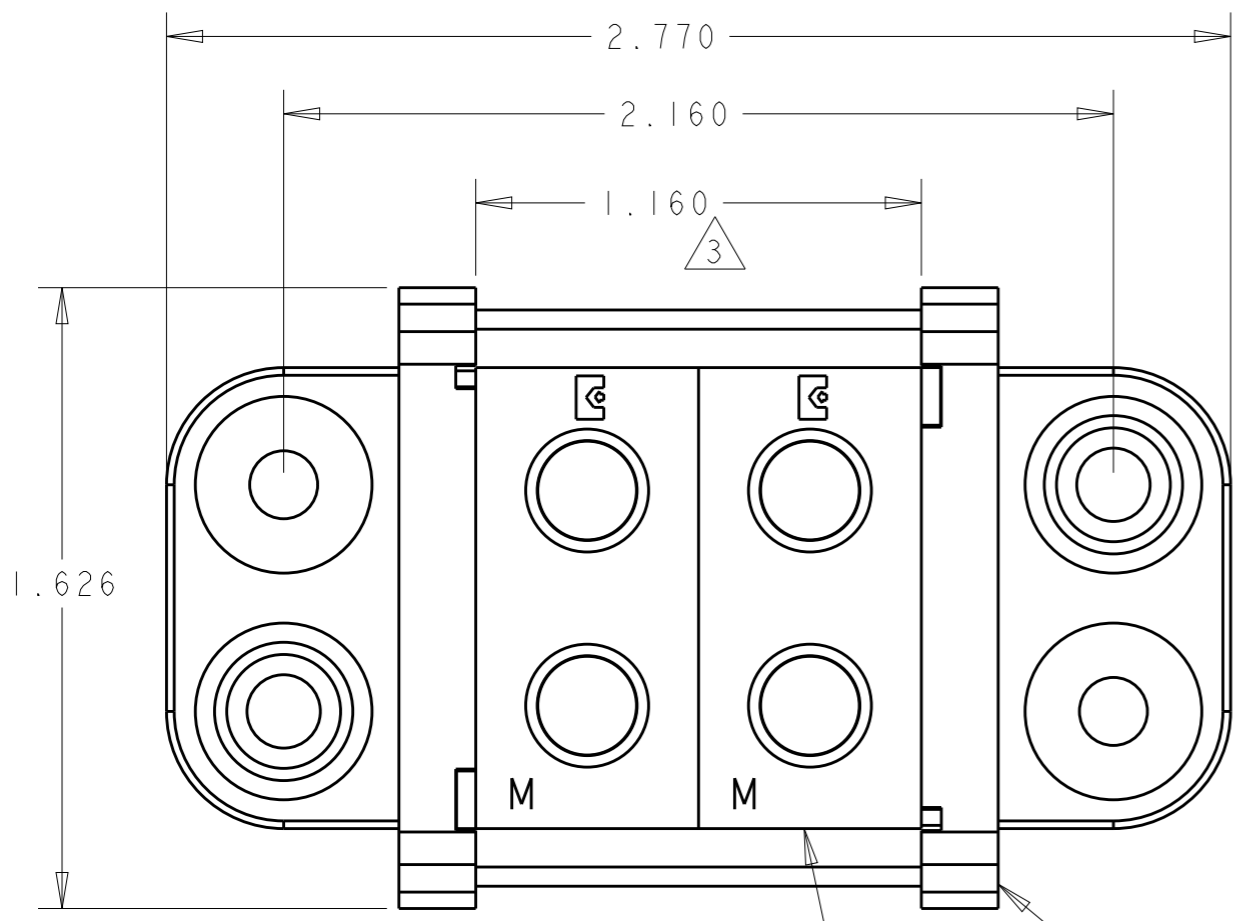


REVISIONS

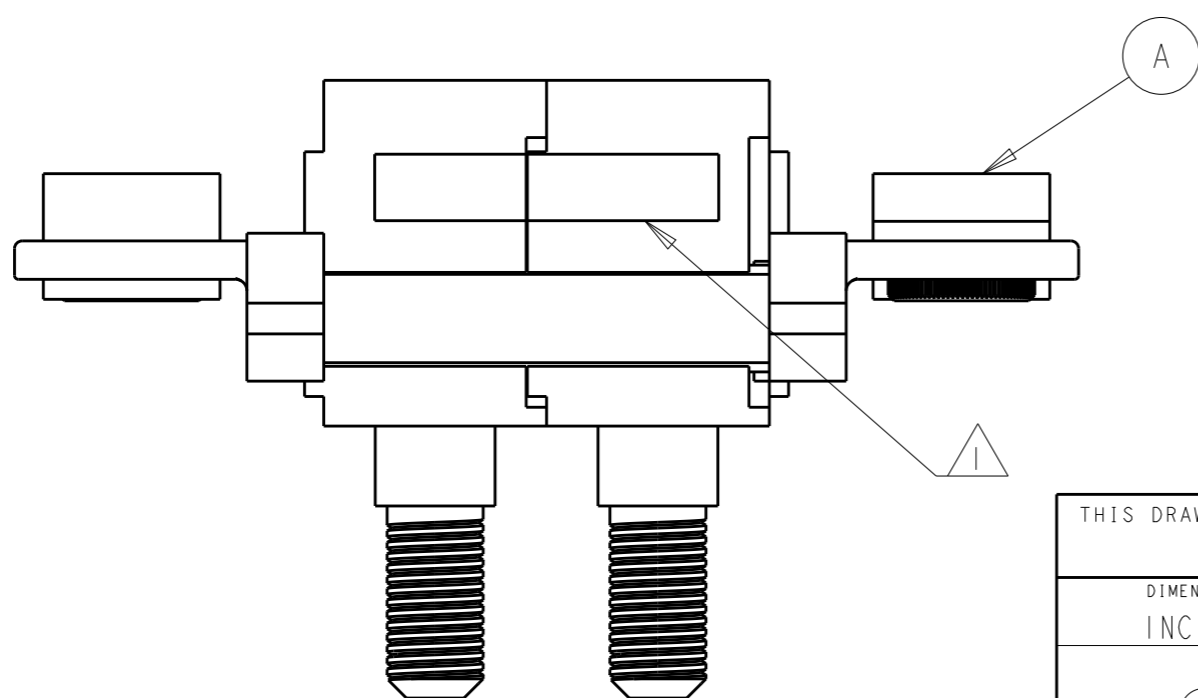
P	LTR	DESCRIPTION	DATE	DWN	APVD
	A	INITIAL RELEASE	1FEB2016	OL	SZ



△ 1 ITEMS PROVIDED TO THIS SPECIFICATION TO BE PERMANENTLY IDENTIFIED PER THE FOLLOWING IDENTIFIER:

TYCO ELECTRONICS P/N DATE CODE (e.g. 0212)
 XXXXXXXX-X YEAR 1 WEEK
 XXXX

- △ 2 MODULE M SOCKET CONTACTS INSTALLED.
- △ 3 REPLACEMENT PART OF 6766073-1



4	SCREW, #4-40 X 3/8	C
2	MODULE M	B
2	END CAP, FIXED MNT., GUIDE SOCKET	A
- 1	DESCRIPTION	ITEM

THIS DRAWING IS A CONTROLLED DOCUMENT.

DIMENSIONS: INCHES		TOLERANCES UNLESS OTHERWISE SPECIFIED:	
0 PLC	±-	0 PLC	±-
1 PLC	±-	1 PLC	±-
2 PLC	±.02	2 PLC	±.02
3 PLC	±.010	3 PLC	±.010
4 PLC	±-	4 PLC	±-
ANGLES	±-	ANGLES	±-
MATERIAL	-	FINISH	-
	-		finish_spec_2

DWN	ORANDO LI	26NOV2015
CHK	SUNY ZHAO	26NOV2015
APVD	SUNY ZHAO	26NOV2015
PRODUCT SPEC	-	
APPLICATION SPEC	-	
WEIGHT	-	
CUSTOMER DRAWING		

STE TE Connectivity

NAME: SOCKET CONNECTOR DOMINO

Tyco Electronics

SIZE	CAGE CODE	DRAWING NO	RESTRICTED TO
A3	00779	C-2204625	-

SCALE: 2:1 SHEET 1 OF 1 REV A

THIS DRAWING IS UNPUBLISHED.

RELEASED FOR PUBLICATION

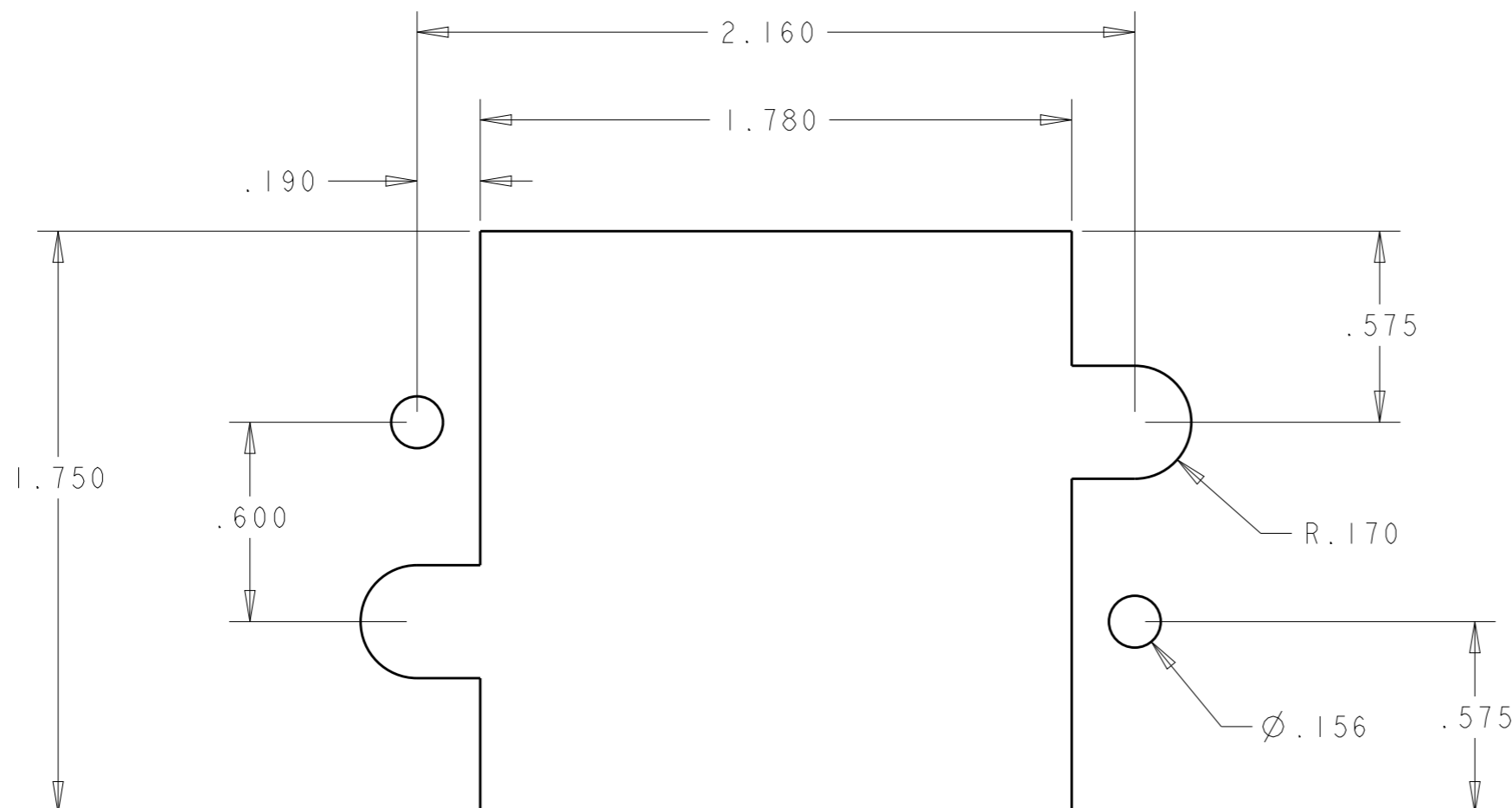
20

© COPYRIGHT 20 BY -

ALL RIGHTS RESERVED.

REVISIONS

P	LTR	DESCRIPTION	DATE	DWN	APVD
-	-	SEE SHEET 1	-	-	-



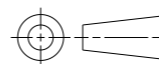
THIS DRAWING IS A CONTROLLED DOCUMENT.

DWN ORANDO LI 26NOV2015
 CHK SUNY ZHAO 26NOV2015
 APVD SUNY ZHAO 26NOV2015



DIMENSIONS:
INCHES

TOLERANCES UNLESS
OTHERWISE SPECIFIED:



- 0 PLC ±-
- 1 PLC ±-
- 2 PLC ±.02
- 3 PLC ±.010
- 4 PLC ±-
- ANGLES ±-

MATERIAL

-

FINISH

-
finish_spec_2

PRODUCT SPEC

APPLICATION SPEC

WEIGHT

-

CUSTOMER DRAWING

NAME
SOCKET CONNECTOR
DOMINO

SIZE	CAGE CODE	DRAWING NO	RESTRICTED TO
------	-----------	------------	---------------

A3	00779	C-2204625	-
----	-------	-----------	---

SCALE	SHEET	OF	REV
2:1	1	1	A