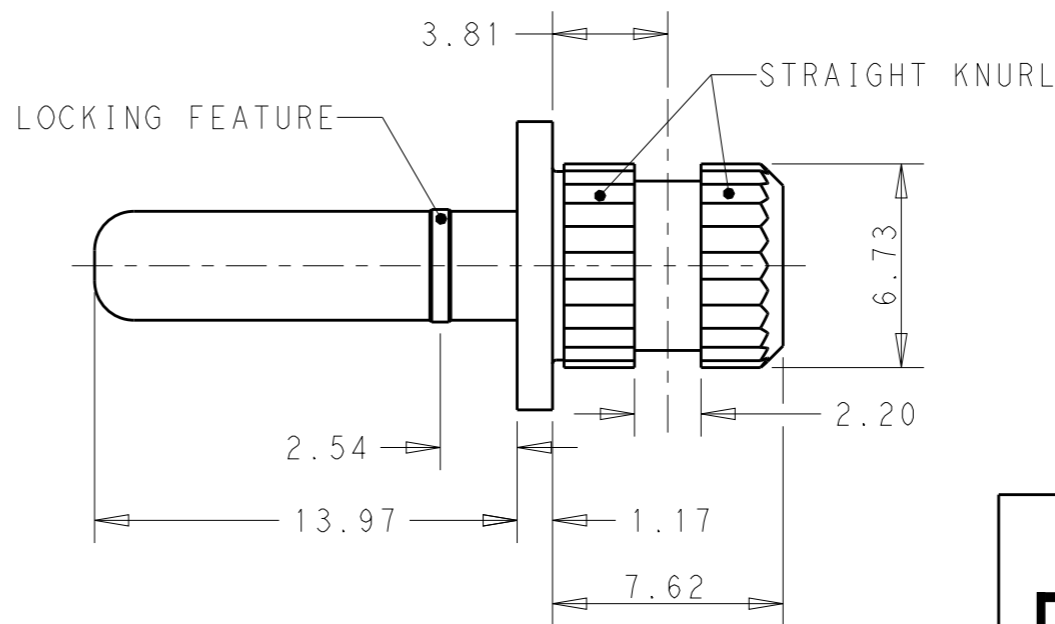
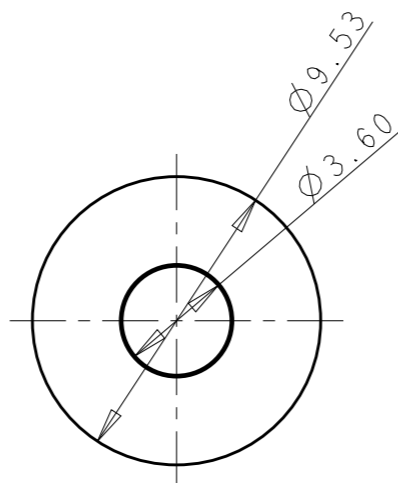
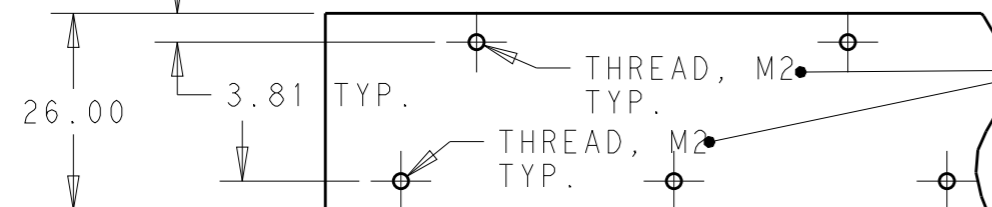
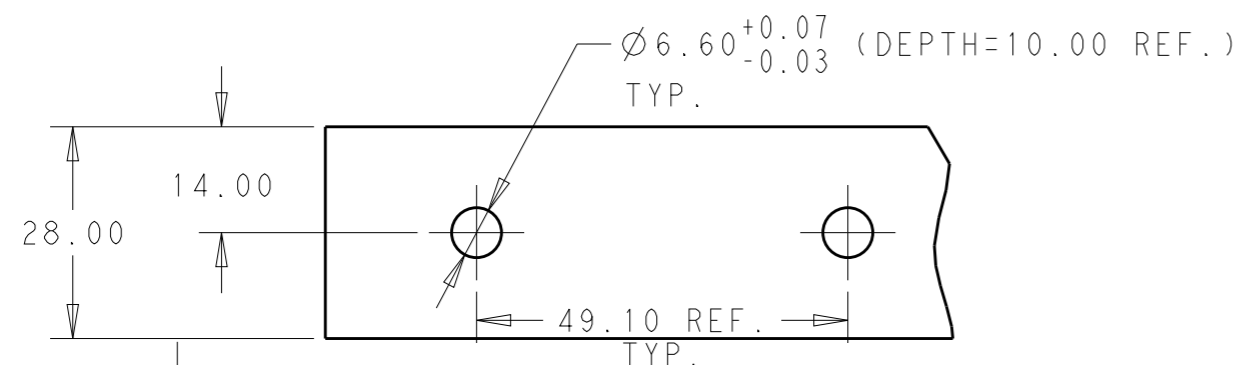


REVISIONS

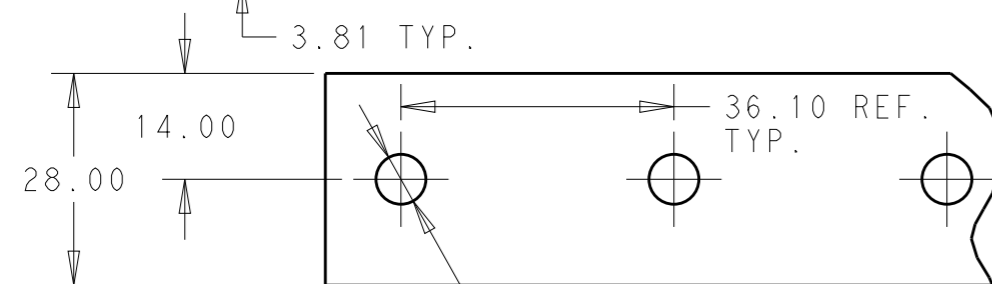
P	LTR	DESCRIPTION	DATE	DWN	APVD
1		FIRST EDITION	16JAN2017	RS	SZ
2		ADD NOTE 3	17MAY2018	OL	SZ
3		REMOVE NOTE 3 AND CHANGE NOTE 2	18MAY2018	OL	SZ



THIS PRINT IS
PRELIMINARY
 UNQUALIFIED PRODUCT
 CONTACT PRODUCT ENGINEERING
 BEFORE USING THIS PRINT



RECOMMEND M2 SETTING SCREW WITHOUT HEAD (LENGTH=11.0MM)



RECOMMENDED BUS BAR DIMENSION
 DEFAULT TOLERANCE: ±0.05
 SCALE 1:4

- NOTES:
- 1. MATERIAL: COPPER ALLOY.
 - 2. FINISH: GOLD PLATING OVER NICKEL

PART NUMBER: 2204872-1

ITEM	DESCRIPTION	QUANTITY	MATERIAL	FINISH
1	PIN	1	1	2

THIS DRAWING IS A CONTROLLED DOCUMENT.

DWN RADAR SUN 16JAN2017
 CHK SUNY ZHAO 16JAN2017
 APVD

STE TE Connectivity

NAME: PIN CONTACT, SIZE 8, LOCKING SIDE SCREW MOUNT, PRESS FIT, RAPID LOCK

PRODUCT SPEC: -
 APPLICATION SPEC: -
 WEIGHT: -

SIZE: A3 CAGE CODE: 00779 DRAWING NO: C-2204872 RESTRICTED TO: -

MATERIAL: - FINISH: -

CUSTOMER DRAWING SCALE: 1:1 SHEET: 1 OF 1 REV: 3