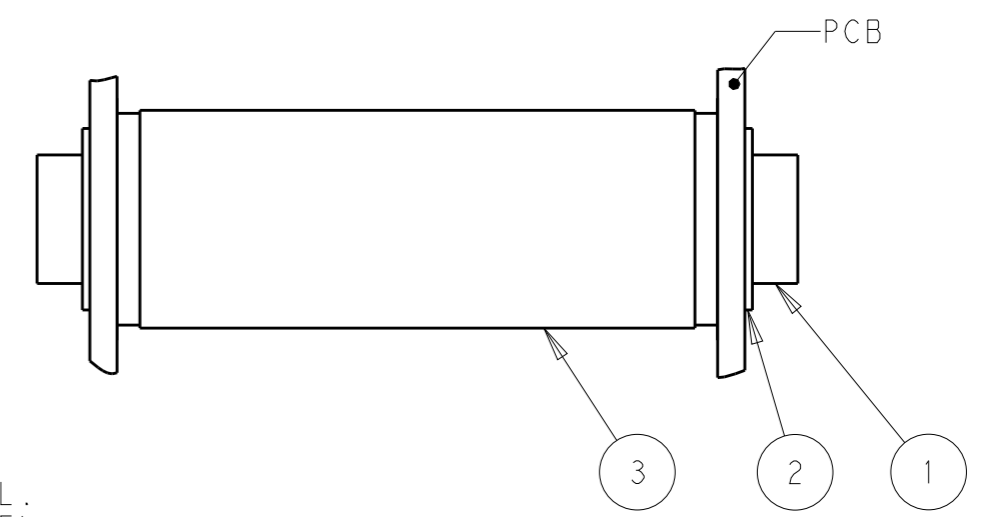
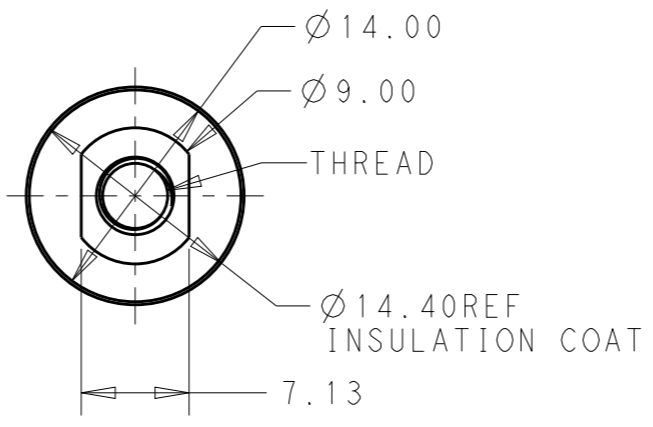
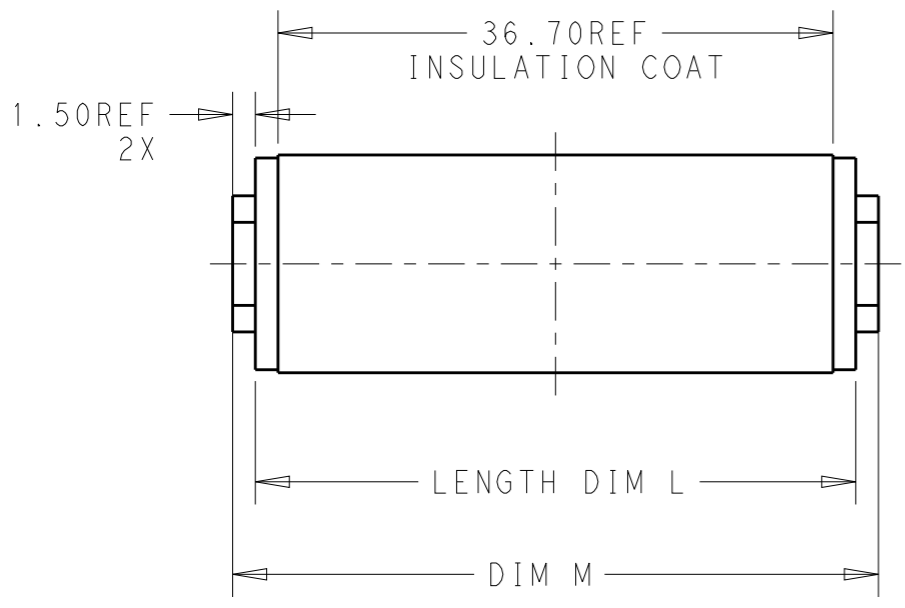
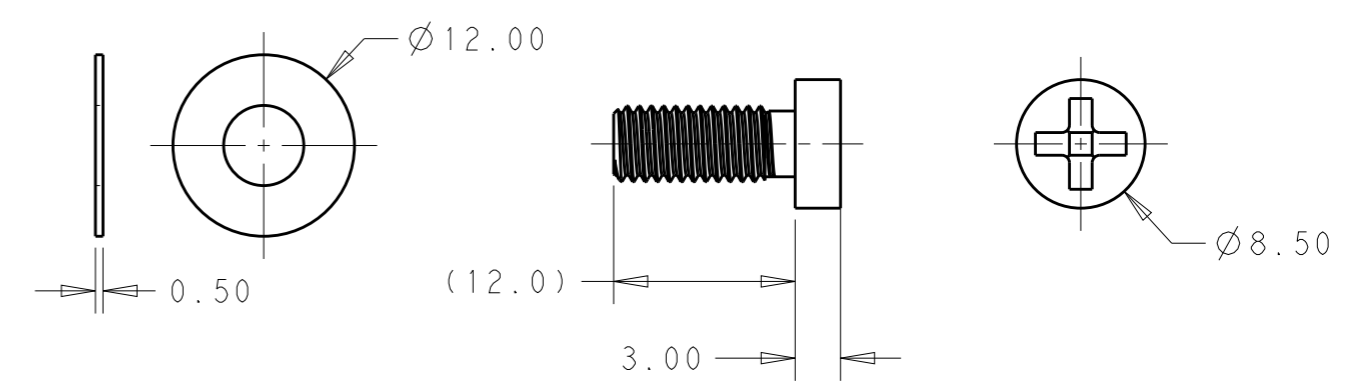
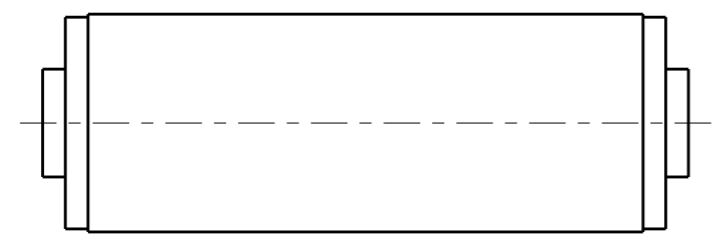


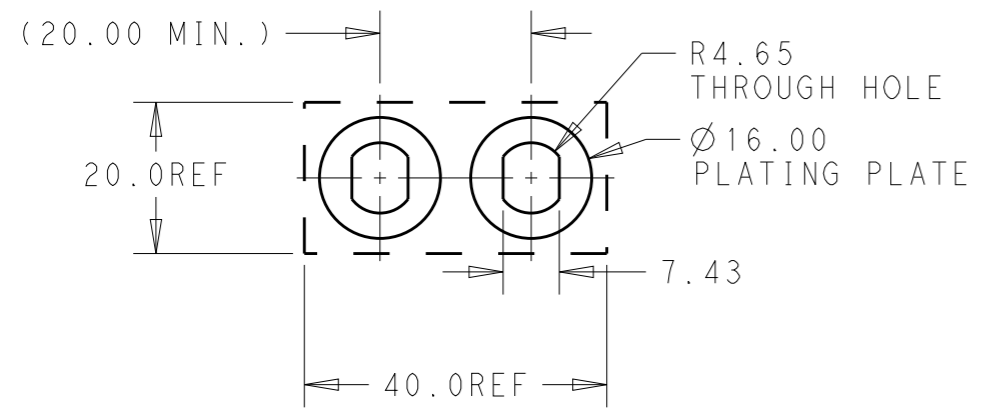
THIS DRAWING IS UNPUBLISHED. RELEASED FOR PUBLICATION 20
 © COPYRIGHT 20 BY - ALL RIGHTS RESERVED.

REVISIONS					
P	LTR	DESCRIPTION	DATE	DWN	APVD
	A3	RELEASE NEW DASH NUMBER -7	08DEC2019	ML	SZ



REFERENCE PRODUCT VIEW
 TE P/N: 2204913-1

- NOTES:
- 1 MATERIAL:
 SCREW: STEEL.
 WASHER: STEEL.
 PIN: COPPER ALLOY.
 - 2 FINISH: PERFORMANCE BASED PLATING.
 - 3. PIN INSULATION COAT COLOR: GRAY,
 SCREW INSULATION COAT COLOR: BLACK.



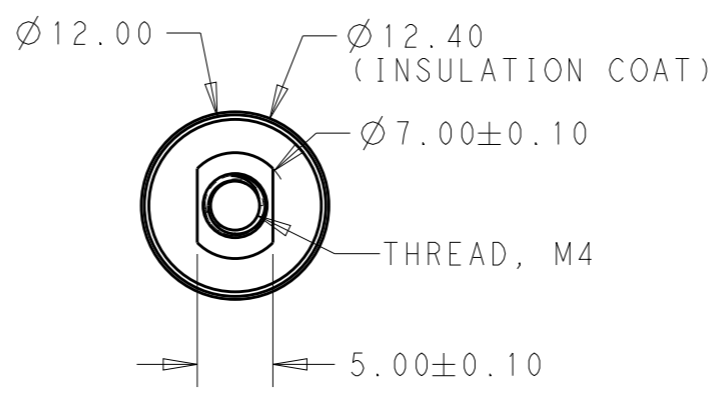
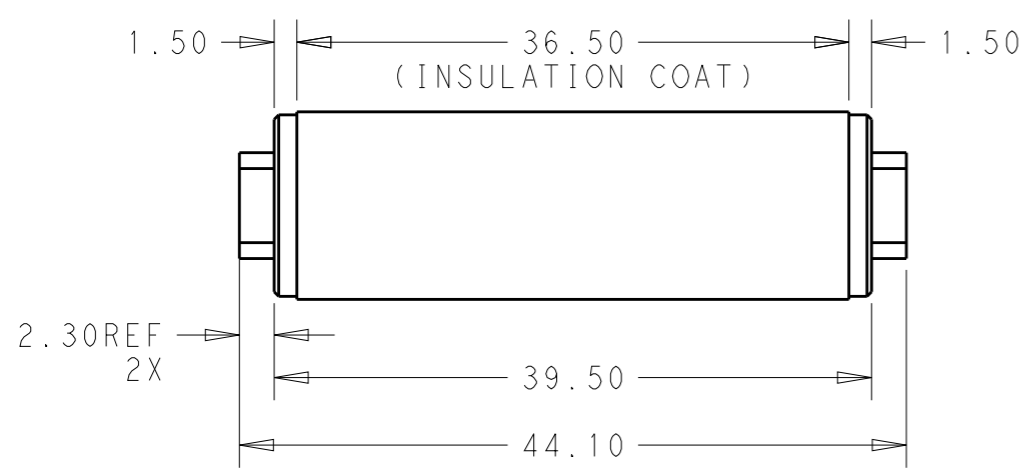
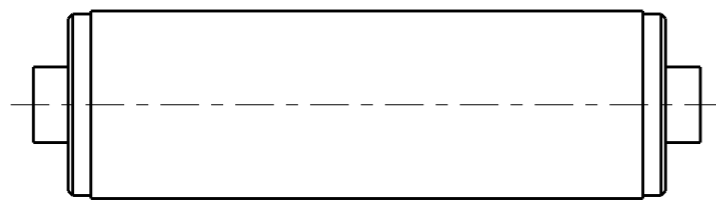
RECOMMENDED PCB LAYOUT (COMPONENT SIDE)
 PCB THICKNESS: 1.5~6.0MM.

THREAD	DIM.M	DIM.L	DESCRIPTION	TE P/N
M5	43.0	40.0	MEZZANINE POWER PIN 200A, M5	2204913-7
M4	44.1	39.5	MEZZANINE POWER PIN 200A, M4	2204913-3
M5	42.7	39.7	MEZZANINE POWER PIN 200A, M5	2204913-1

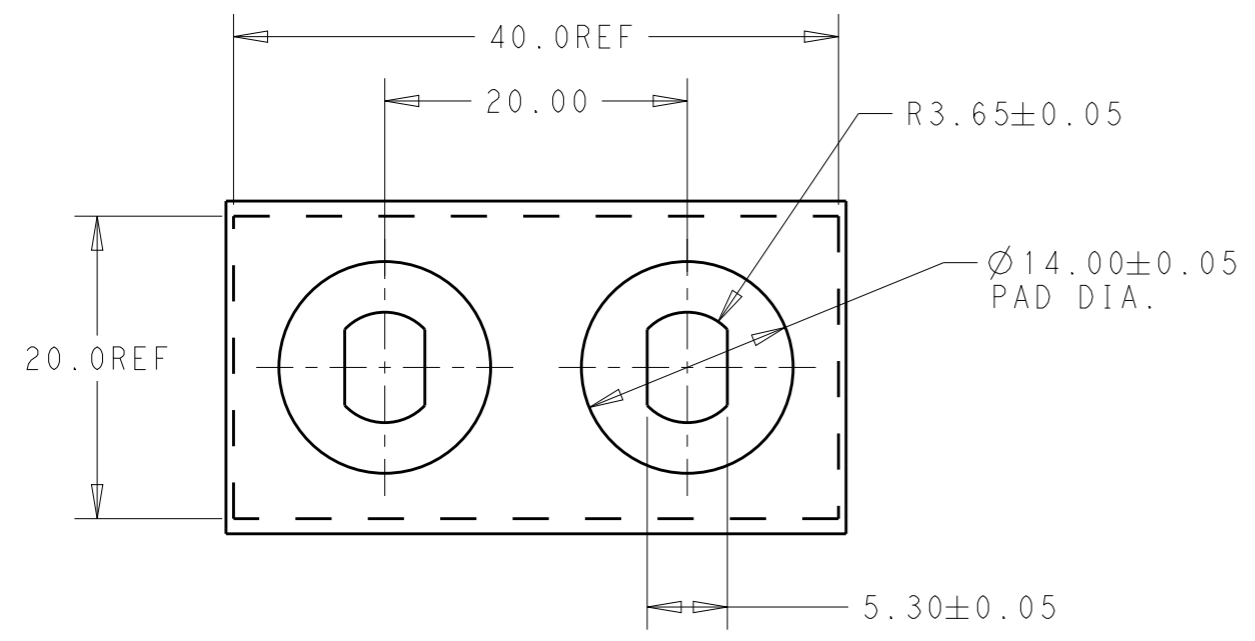
THIS DRAWING IS A CONTROLLED DOCUMENT.		DWN MAC LIU 29MAR2017	TE Connectivity	
DIMENSIONS: mm		CHK SUNY ZHAO 29MAR2017		
TOLERANCES UNLESS OTHERWISE SPECIFIED:		APVD SUNY ZHAO 29MAR2017	NAME MEZZANINE POWER PIN CONNECTOR WITH INSULATION COAT	
0 PLC ±- 1 PLC ±0.50 2 PLC ±0.25 3 PLC ±0.05 4 PLC ±- ANGLES ±-		PRODUCT SPEC -	SIZE A3	
MATERIAL -1		APPLICATION SPEC -	CAGE CODE 00779	DRAWING NO C-2204913
FINISH -2		WEIGHT -	RESTRICTED TO -	
CUSTOMER DRAWING			SCALE 2:1	SHEET 1 OF 2
			REV A3	

THIS DRAWING IS UNPUBLISHED. RELEASED FOR PUBLICATION 20
 © COPYRIGHT 20 BY - ALL RIGHTS RESERVED.

REVISIONS					
P	LTR	DESCRIPTION	DATE	DWN	APVD
-		SEE SHEET 1	-	-	-



REFERENCE PRODUCT VIEW
 TE P/N: 2204913-3



RECOMMENDED PCB LAYOUT (COMPONENT SIDE)
 PCB THICKNESS: 1.8 MM~3.5 MM.

PART NUMBER: 2204913-3

ITEM	DESCRIPTION	QUANTITY	MATERIAL	FINISH
3	PIN WITH INSULATION COAT	1	△1	△2
2	WASHER	2	△1	△2
1	SCREW WITH INSULATION COAT, M4	2	△1	△2

THIS DRAWING IS A CONTROLLED DOCUMENT.		DWN MAC LIU 29MAR2017	TE Connectivity	
DIMENSIONS: mm		CHK SUNY ZHAO 29MAR2017		
TOLERANCES UNLESS OTHERWISE SPECIFIED:		APVD SUNY ZHAO 29MAR2017		
0 PLC ±- 1 PLC ±0.50 2 PLC ±0.25 3 PLC ±0.05 4 PLC ±- ANGLES ±-		NAME MEZZANINE POWER PIN CONNECTOR WITH INSULATION COAT		
MATERIAL	FINISH	PRODUCT SPEC	APPLICATION SPEC	RESTRICTED TO
-	-	-	-	-
CUSTOMER DRAWING		WEIGHT	SIZE A3	CAGE CODE 00779
		SCALE 2:1	DRAWING NO C-2204913	REV A3
		SHEET 2 OF 2		