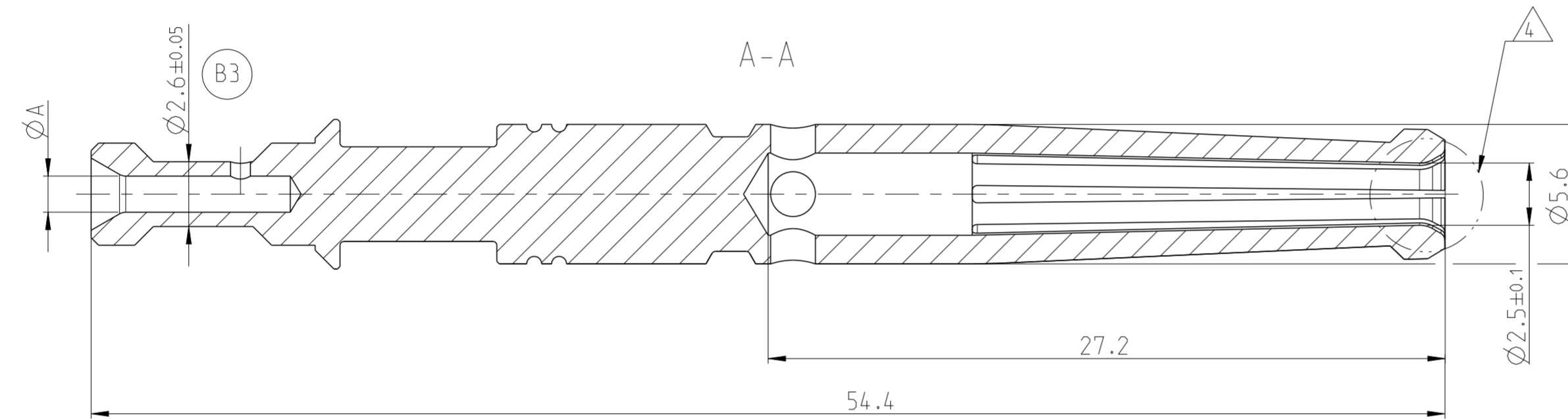
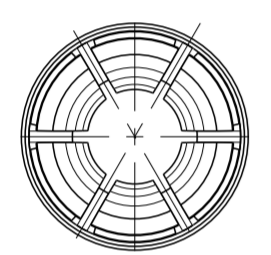
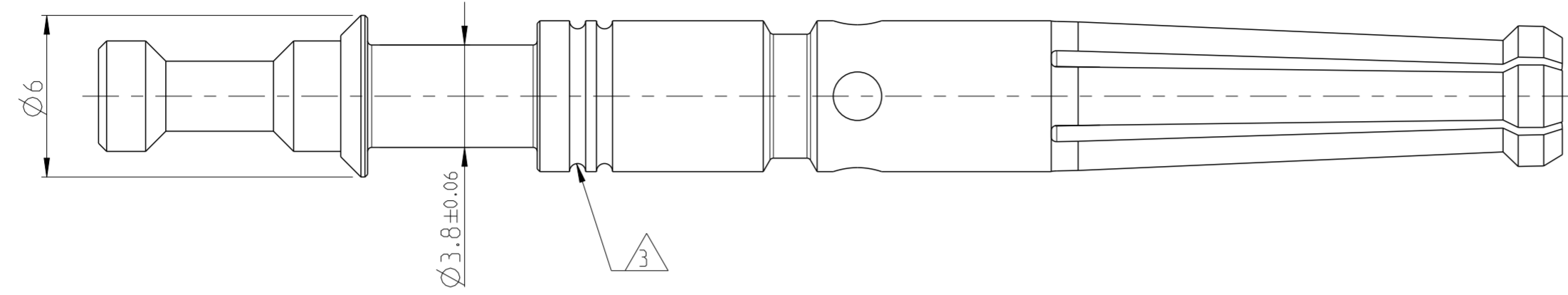


THIS DRAWING IS UNPUBLISHED.
VERTRÄULICHE UNVERÖFFENTLICHTE ZEICHNUNG
© COPYRIGHT 20 BY -
RELEASED FOR PUBLICATION
FREI FUER VERÖFFENTLICHUNG
20
ALL RIGHTS RESERVED.
ALLE RECHTE VORBEHALTEN.
MATED WITH:
PASSEND ZU:

| PROJEKT NR.: | | REVISIONS ÄNDERUNGEN | | | |
|--------------|-----|-----------------------------|-----------|-----|------|
| P | LTR | DESCRIPTION BESCHREIBUNG | DATE | DWN | APVD |
| | B | NEW DRAWING | 26AUG2013 | TSA | DWE |
| | B1 | NEW TE-PN | 20APR2015 | TSA | DWE |
| | B2 | NEW VARIANT ADDED | 16MAY2017 | AKS | TSA |
| | B3 | TOLERANCE UPDATED | 29JAN2018 | AHM | TSA |

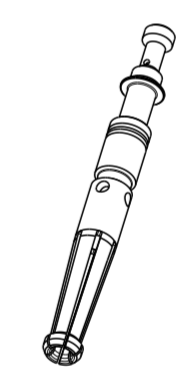


NOTES
Bemerkungen

- 1 IN CASE OF DISCREPANCIES BETWEEN GERMAN AND ENGLISH TEXT THE GERMAN TEXT IS BINDING
Im Falle von Unterschieden zwischen dem deutschen und dem englischen Text ist der deutsche Text verbindlich
- 2 MAX ALLOWABLE PARTICLE SIZE ACC. VDA BAND 19: 0.5mm
Max. zulässige Partikelgrösse gemäss VDA Band 19: 0.5mm
- 3 CROSS SECTION MARKING:
NUMBER OF GROOVES ACC. TABLE.
Leitungsquerschnittkennzeichnung:
Anzahl Einschnitte gemäss Tabelle.
- 4 CONTACT AREA.
Kontaktierflaeche.
- 5 PACKAGED IN ACCORDANCE WITH PACKAGING INSTRUCTION V2208378
Verpackt gemäss Verpackungsspezifikation V2208378

2-2208378-2
AS SHOWN

1:1



| PART NUMBERS | REV | (mm ²) | GROOVES | A | MATERIAL | SURFACE/ COLOR |
|--------------|-----|--------------------|---------|------|----------|-------------------|
| 2-2208378-1 | A | 0.5 | 1 | 1.0 | BRASS | SILVER |
| 2-2208378-2 | A | 0.75-1.0 | 2 | 1.45 | BRASS | SILVER |
| | | CROSS SECTION | | | | |

DIESE ZEICHNUNG IST EIN KONTROLLIERTES DOKUMENT.
BEMASSUNGEN UND TOLERANZEN GEMAESS GPS (ISO STANDARDS).

THIS DRAWING IS A CONTROLLED DOCUMENT.
DIMENSIONING AND TOLERANCING PER GPS (ISO STANDARDS).

| | | | | | | | | | | | | | | | | | | |
|---|--|--|---|-------|---|---------|-------|---|--|-------|---|--|---|--------------------------|---|--|--------------------|---------------------|
| DIMENSIONS: MASSEINHEITEN: (mm) | TOLERANCES UNLESS OTHERWISE SPECIFIED: ALLGEMEINTOLERANZEN | DWN Vishwa A 18JUL2012 | TE Connectivity | | | | | | | | | | | | | | | |
| <table border="1"> <tr><td>1 PLC</td><td>±</td><td>ISO</td></tr> <tr><td>2 PLC</td><td>±</td><td>2768-FH</td></tr> <tr><td>3 PLC</td><td>±</td><td></td></tr> <tr><td>4 PLC</td><td>±</td><td></td></tr> </table> | 1 PLC | ± | ISO | 2 PLC | ± | 2768-FH | 3 PLC | ± | | 4 PLC | ± | | <table border="1"> <tr><td>FINISH/OBERFLAECHE/FARBE</td><td>±</td><td></td></tr> </table> | FINISH/OBERFLAECHE/FARBE | ± | | CHK E. Wittrock | NAME D. Weyrauch |
| 1 PLC | ± | ISO | | | | | | | | | | | | | | | | |
| 2 PLC | ± | 2768-FH | | | | | | | | | | | | | | | | |
| 3 PLC | ± | | | | | | | | | | | | | | | | | |
| 4 PLC | ± | | | | | | | | | | | | | | | | | |
| FINISH/OBERFLAECHE/FARBE | ± | | | | | | | | | | | | | | | | | |
| MATERIAL | | APVD D. Weyrauch | PRODUCT SPEC PRODUKTSPEZ. | | | | | | | | | | | | | | | |
| | | APPLICATION SPEC VERARBEITUNGSSPEZ. | SIZE A2 | | | | | | | | | | | | | | | |
| | | WEIGHT GEWICHT | CAGE CODE 00779 | | | | | | | | | | | | | | | |
| | | CUSTOMER DRAWING | DRAWING NO ZEICHNUNGS-NR. C-2208378 | | | | | | | | | | | | | | | |
| | | | RESTRICTED TO NUR FUER | | | | | | | | | | | | | | | |
| | | SCALE MASSSTAB 5:1 | SHEET BLATT 1 OF 1 | | | | | | | | | | | | | | | |
| | | | REV B3 | | | | | | | | | | | | | | | |