

REVISIONS					
P	LTR	DESCRIPTION	DATE	DWN	APVD
	A	NEW DRAWING	17SEP2013	SG	ODC
	B	NEW PRODUCT GROUP DRAWING	21FEB2019	Ho.	

REFER TO PRODUCT GROUP DRAWING  
FOR LATEST INFORMATION  
ON THE PART  
2351897

Aktuelle Produktinformationen  
siehe Produktgruppenzeichnung  
2351897

2015


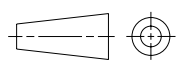
RELEASED FOR PUBLICATION

ALL RIGHTS RESERVED.

Tyco Electronics AMP GmbH

© COPYRIGHT 2015

THIS DRAWING IS UNPUBLISHED.

DIMENSIONS: mm		DWN H. Kraenzlein 28NOV2018	MATERIAL -	FINISH -
TOLERANCES UNLESS OTHERWISE SPECIFIED: 0 PLC ±0.2 1 PLC ±0.1 2 PLC ±0.05 3 PLC ±0.05 4 PLC ±0.05 ANGLES ±2.0		CHK S. Raab 28NOV2018	 TE Connectivity	
		APVD M. Burghard 28NOV2018		
		PRODUCT SPEC -	NAME HV8mm SOCKET TERMINAL 180DEG	
		APPLICATION SPEC -	SIZE A 4	CAGE CODE 00779
		WEIGHT -	DRAWING NO C=2208669	RESTRICTED TO
		CUSTOMER DRAWING		SCALE 5:1
				SHEET 1 OF 1
				REV B