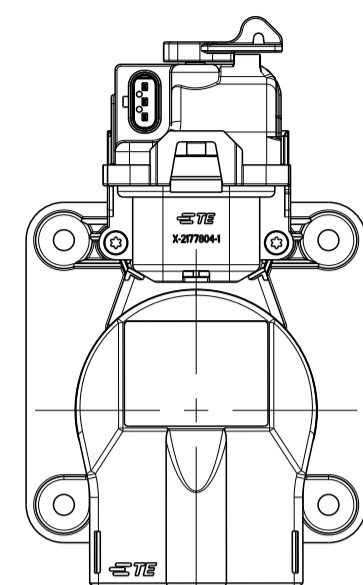


CABLE OUTLET POSITION 3

1:2

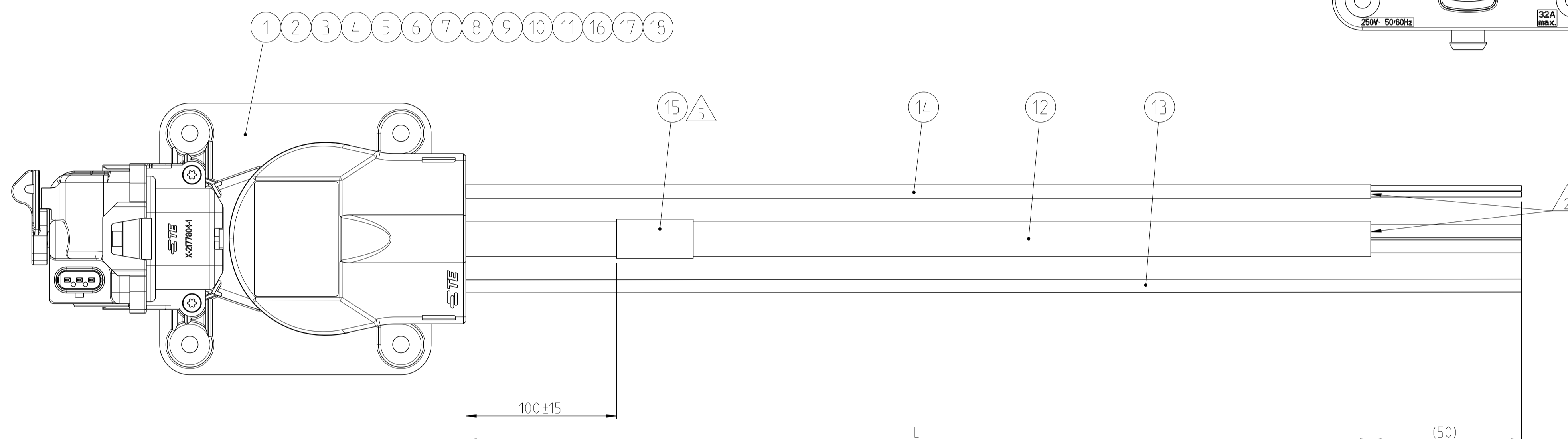
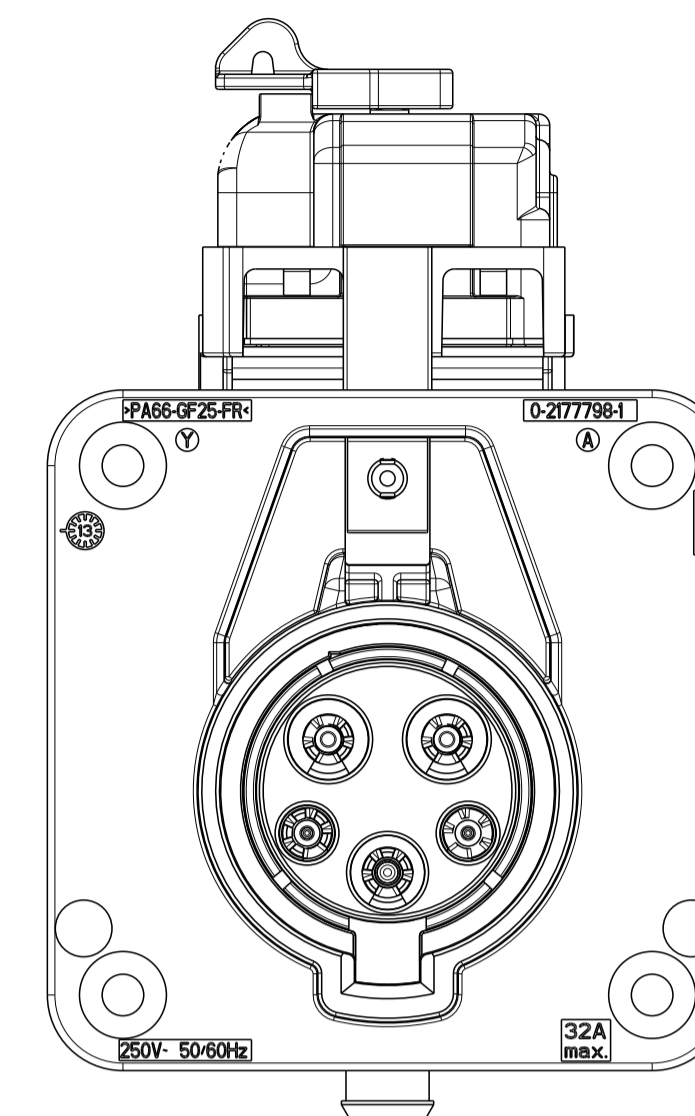


THE DRAWING SHOWS THE 2-DIMENSIONAL REFERENCE COMPONENT CONDITION OF THE ASSEMBLY TO IDENTIFY AND SPECIFY THE NECESSARY DIMENSIONS ONLY. THE DELIVERED PARTS MAY DEVIATE FROM THE DRAWING REGARDING THE ORIENTATION AND POSITION OF EACH COMPONENT (e.g. SLACK CABLE), SO FAR THE FUNCTIONALITY IS NOT CONCERNED.

DIE ZEICHNUNG ZEIGT DEN 2-DIMENSIONAL IDEALZUSTAND DES ZUSAMMENBAUTEILS BEZÜGLICH DER KOMPONENTEN ZUR IDENTIFIKATION UND SPEZIFIKATION DER NOTWENDIGEN DIMENSIONEN. HINSICHTLICH DER ORIENTIERUNG UND DER LAGE DER KOMPONENTEN (Z.B. BIEGESCHLAFES KABEL) KÖNNEN DIE DELIEFERTEN TEILE VON DER ZEICHNUNG ABWEICHEN, SOFERN DIE FUNKTIONALITÄT NICHT BEEINTRÄCHTIGT IST.

REVISIONS				
REV.	DATE	BY	CHK.	DESCRIPTION
F	14 JUN 2016	JM	JJ	NOTES UPDATED, COMPONENT REVISED
G	27 NOV 2018	JM	JJ	COMPONENT (CABLE, 2 x 0.75 mm ²) REVISED
H	05 DEC 2020	DS	JJ	COMPONENT REVISED

INTERFACE VIEW
Schnittstellen Ansicht



LENGTH SCHEDULE:
Laengentabelle:

TE PART NO.	REV.	LENGTH L (mm)	TOL.	CABLE OUTLET POSITION
2-2208876-1	H	1000	+30	Position 3
2-2208876-5	H	5000	+60	

WIRING SCHEDULE:
Belegungsplan:

CAVITY-NO.	IDENTIFICATION	WIRE COLOUR	WIRE SECTION
1	L1	RED	6mm ² (ITEM 12)
2	L2/N	BROWN	6mm ² (ITEM 12)
3	GROUND/EARTH	BROWN	6mm ² (ITEM 13)
4	CP	BROWN/WHITE	0.75mm ² (ITEM 14)
5	CS	WHITE	0.75mm ² (ITEM 14)

5 LABEL LEGEND:
Label Beschriftung:



TE PART NO., CURRENT REVISION
TE Teilenummer, aktuelle Revision

PRODUCTION DATE
Produktionsdatum

NOTES

- PACKAGING ACCORDING SPECIFICATION V2208876.
- STRIPPED ONLY OUTER JACKET AND BRAID. ELECTRICAL TESTING IS ACCORDING APPLICATION SPECIFICATION.
- APPLICATION SPECIFICATION: 114-94163-1 CHARGE INLET IEC 62196-2 TYPE 1.
- CUTTING LENGTHS TO BE FIXED BY MANUFACTURING.
- MANUFACTURING CODE: TE PART NO., CURRENT REV. LEVEL AND DATE CODE (DD.MM.YY). TO BE PRINTED ON LABEL (ITEM 15). LABEL TO BE APPLIED TO THE CABLE AFTER SUCCESSFUL ELECTRICAL TEST.

QTY	DESCRIPTION	ITEM NO.
1	RESISTOR, 2K7, 1%	18
2	CONTACT KIT, R5, INLET TYPE 1, PLATED	17
3	CAB TIE, CLIP, HELL, T18R-HR-N46	16
1	LABEL, HELL	15
1	CABLE, 2 x 0.75 mm ² , BLACK	14
1	CABLE, 6 mm ² , BROWN	13
1	CABLE 2 x 6.0 mm ² , BRAID	12
5	O-RING, 3 x 1.5	11
2	PIN DIA 1.5, CP/CS	10
1	PIN DIA 2.8, PE	9
2	PIN DIA 3.6, L/N, ASSY	8
3	SELF TAPPING SCREW	7
2	FAMILY SEAL, MIXED, Vers.1	6
1	INSULATION COVER, TE, COVER INLET	5
1	CABLE FIXATION, TE, COVER INLET	4
1	ACTUATOR, LOCKING UNIT, ASSY	3
1	2. LOCK, TE, IEC62196-2 TYPE 1	2
1	5 POS, MIXED, HSG, IEC62196-2 TYPE 1	1
-	WEIGHT OF ASSY NO. [g]	-

TOLERANCING EN ISO 8015
TOLERIERUNG EN ISO 8015

DIESE ZEICHNUNG IST EIN KONTROLLIERTES DOKUMENT.
BEMASSUNGEN UND TOLERANZEN GEMAESS GPS (ISO STANDARDS).

THIS DRAWING IS A CONTROLLED DOCUMENT.
DIMENSIONING AND TOLERANCING PER GPS (ISO STANDARDS)

TE CONNECTIVITY
M. Zellch
J. Bernstorff
M. Folk
01 JUL 2013

NAME: HV, CHARGE INLET TYPE 1, HYB ASSY, 6 sqmm

SIZE: A | CAGE CODE: 00779 | DRAWING NO: 2208876 | RESTRICTED TO: NUR FÜR

SCALE: 1:1 | SHEET: 1 OF 1 | REV: H