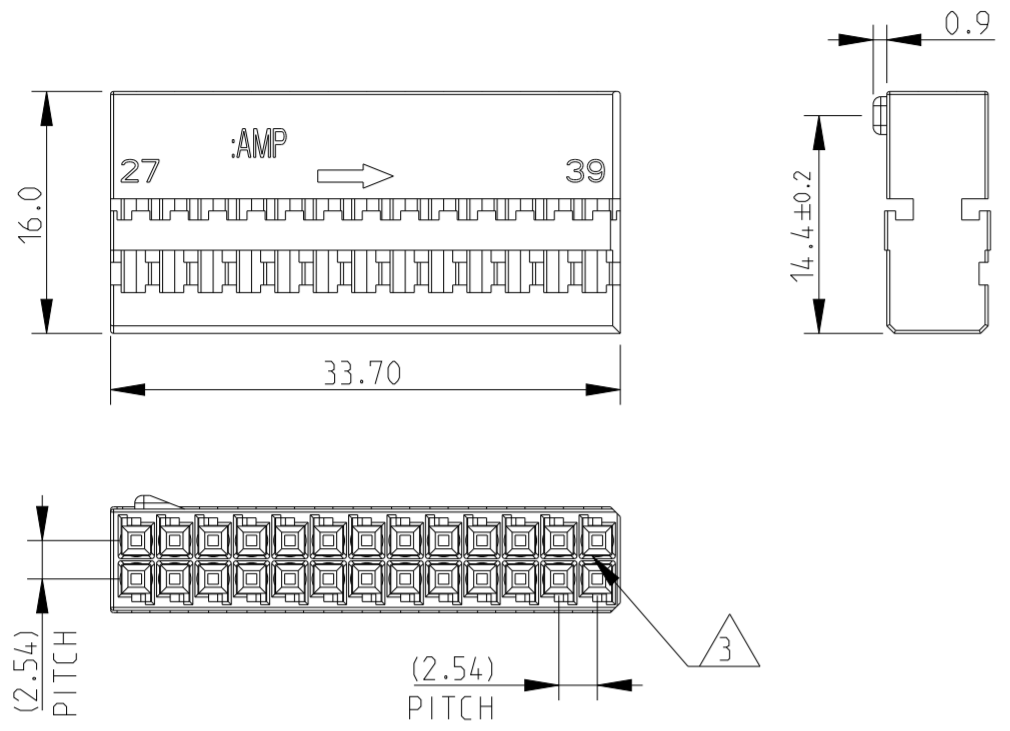
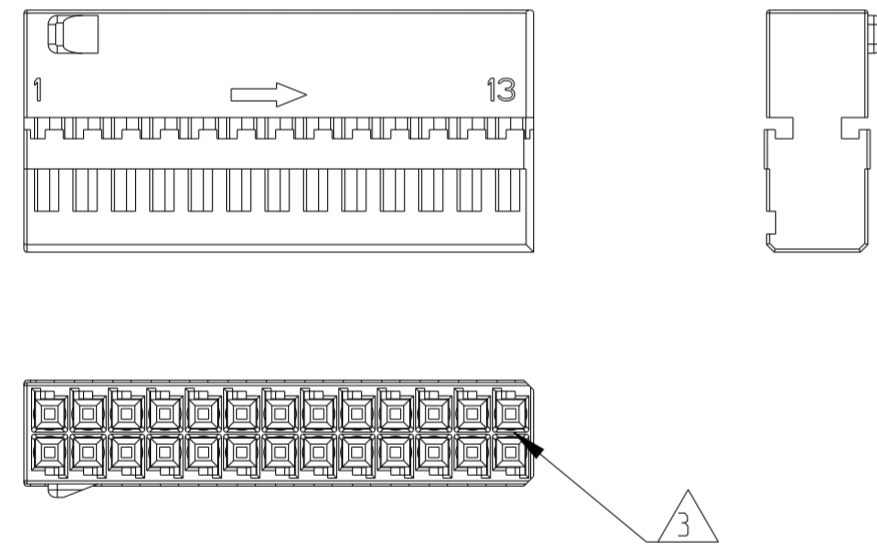


REVISIONS					
P	LTR	DESCRIPTION	DATE	DWN	APVD
B		ECR-20-015711	05NOV2020	J.L	J.Z
B1		ECR-20-016644	18NOV2020	S.C	J.Z
B2		ECR-21-003344	16MAR2021	Z.W	J.Z
B3		ECR-23-195421	18DEC2023	A.X	J.Z

DIMENSION FOR LEFT SIDE HOUSING  
 COLOR BLACK-POS. 27-52 - ITEM 3

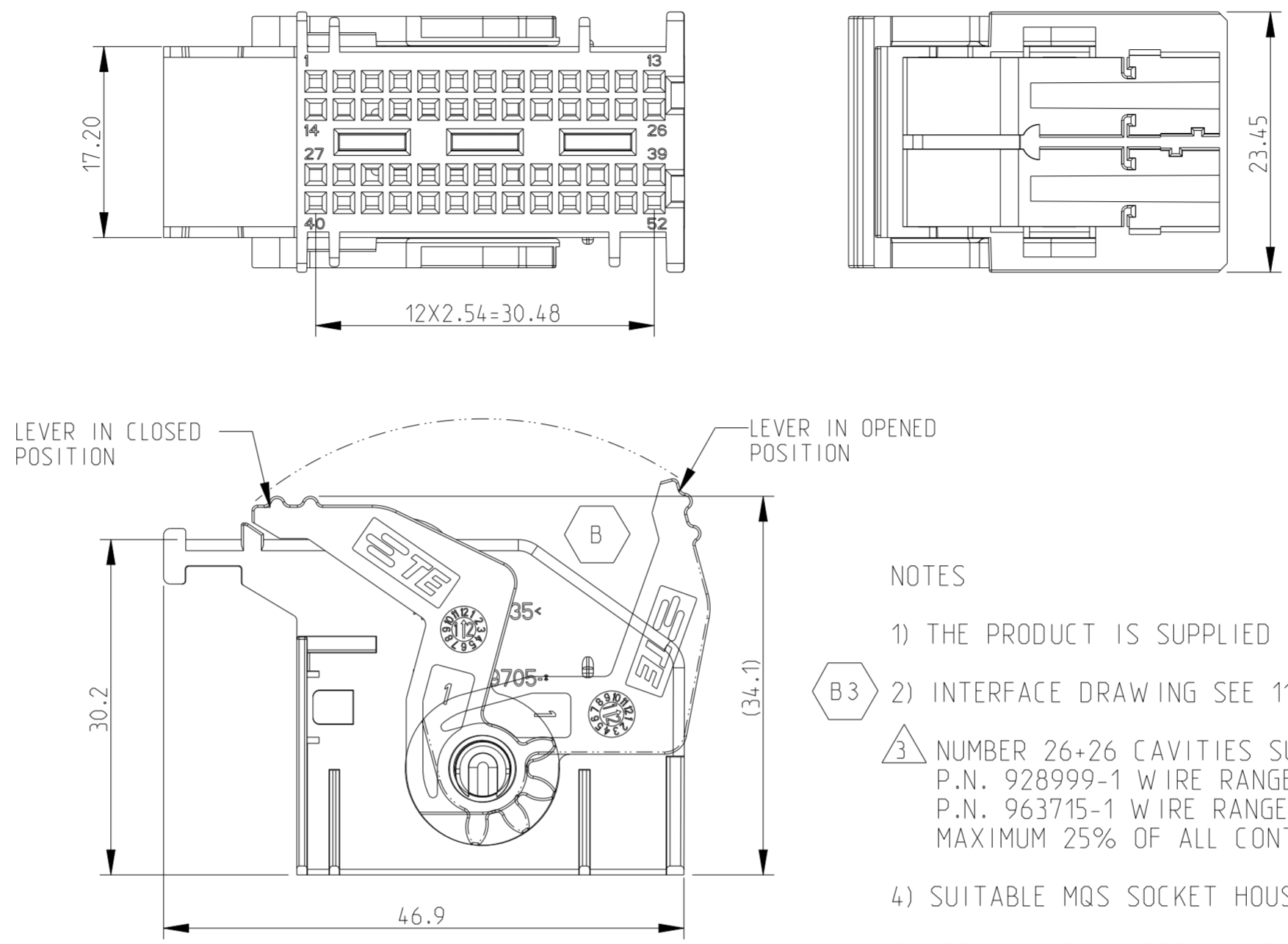


DIMENSION FOR RIGHT SIDE HOUSING  
 COLOR GREY-POS. 1-26 - ITEM 4



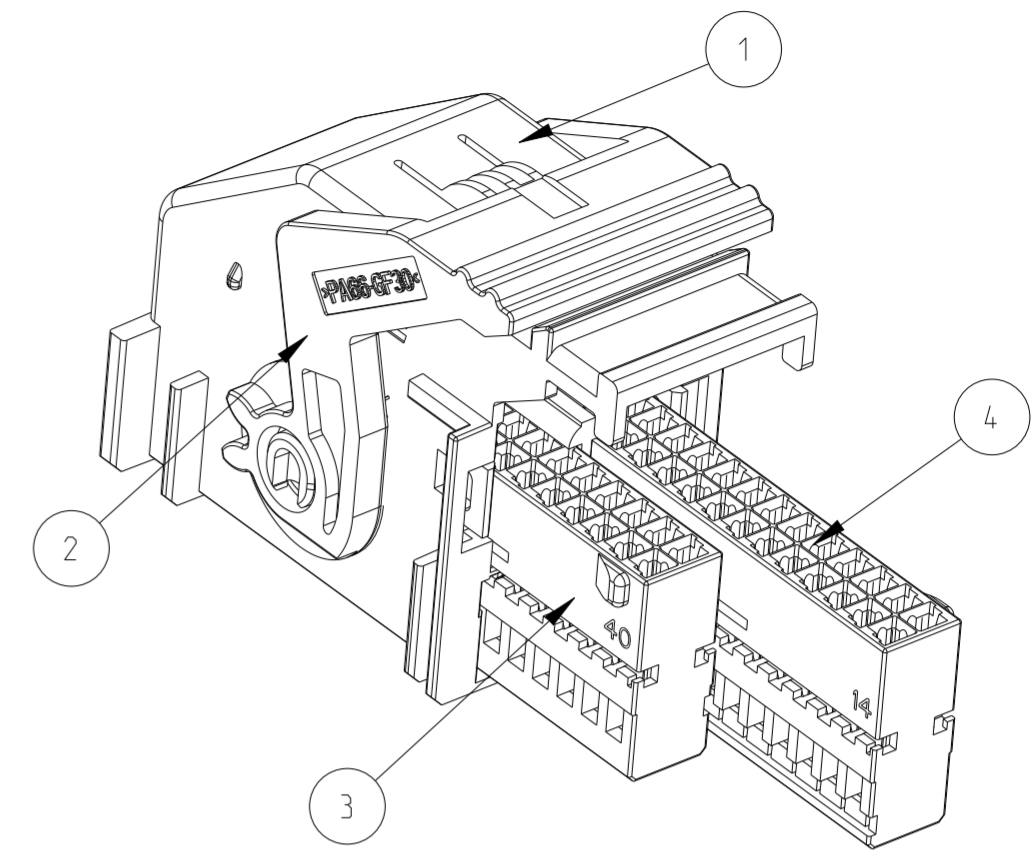
FOR MISSING DIMENSIONS SEE LEFT SIDE HOUSING DRAWING

P/N 2209477-1 AS SHOWN

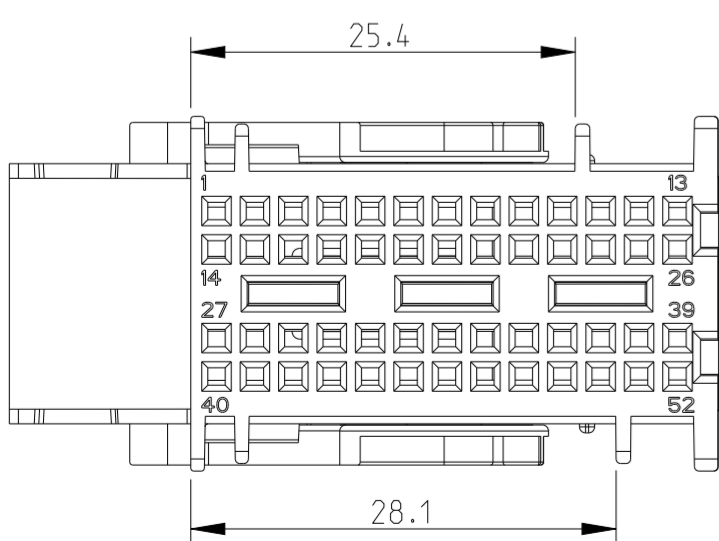


NOTES

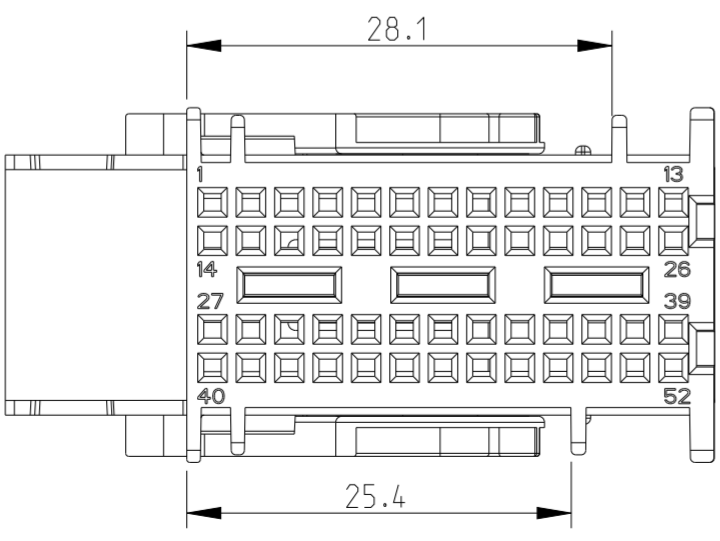
- 1) THE PRODUCT IS SUPPLIED WITH LEVER IN CLOSED POSITION
- 2) INTERFACE DRAWING SEE 114-32231
- 3) NUMBER 26+26 CAVITIES SUITABLE FOR MICRO QUADLOCK SYSTEM FEMALE CONTACTS P.N. 928999-1 WIRE RANGE 0.25-0.35 mm<sup>2</sup>, INSULATOR RANGE Ø1.15-1.6 P.N. 963715-1 WIRE RANGE 0.50-0.75 mm<sup>2</sup>, INSULATOR RANGE Ø1.7-1.9, FOR SELECTION MAXIMUM 25% OF ALL CONTACTS
- 4) SUITABLE MQS SOCKET HOUSING P.N. 1-968326-1 26POS. AND 2-968326-1 26POS.
- 5) ITEM 1 AND 2 ASSEMBLY TOGETHER, ASSEMBLY PART AND ITEM 3,4 ARE SUPPLIED IN KIT WITH EQUIVALENT QUANTITY IN A BOX



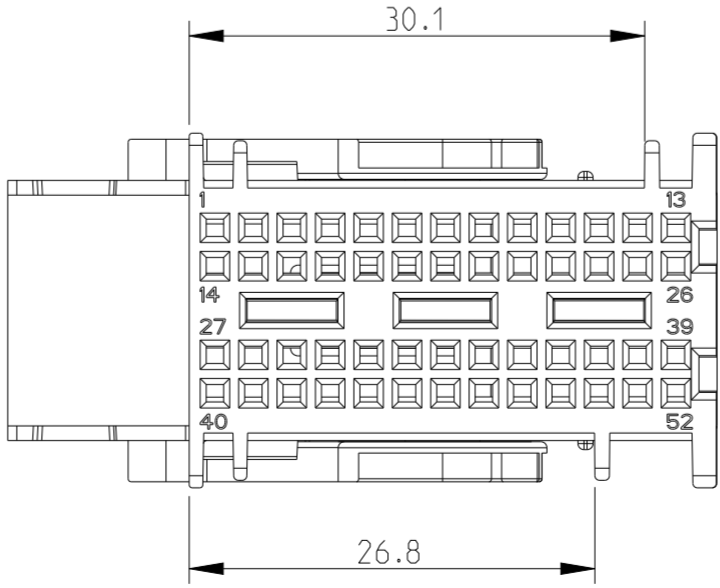
MECHANICAL CODING DIMENSIONS  
 P.N. 2209477-1, COLOR - BLACK



MECHANICAL CODING DIMENSIONS  
 P.N. 2209477-2, COLOR - BLUE



MECHANICAL CODING DIMENSIONS  
 P.N. 2209477-3, COLOR - GREY



PART LIST

QTY.	DESCRIPTION	QTY.	ITEM NO.
1	GERY SOCKET HSG	1	4
1	BLACK SOCKET HSG	1	3
1	RED LEVER	1	2
1	GREY COVER	1	1
1	BLUE COVER	1	1
1	BLACK COVER	1	1
2209477-3	2209477-2	2209477-1	COLOR DESCRIPTION QTY. ITEM NO.

THIS DRAWING IS A CONTROLLED DOCUMENT.

DWN	T.DONG	07MAR2013
CHK	A.DANG	07MAR2013
APVD	L.YIN	11MAR2013

TE ASS'Y NO. \_\_\_\_\_

**STE** TE Connectivity

NAME: KIT ASS'Y FOR 52POS. MQS FEMALE CONNECTOR

SIZE	CAGE CODE	DRAWING NO.	RESTRICTED TO
A2	00779	C-2209477	-

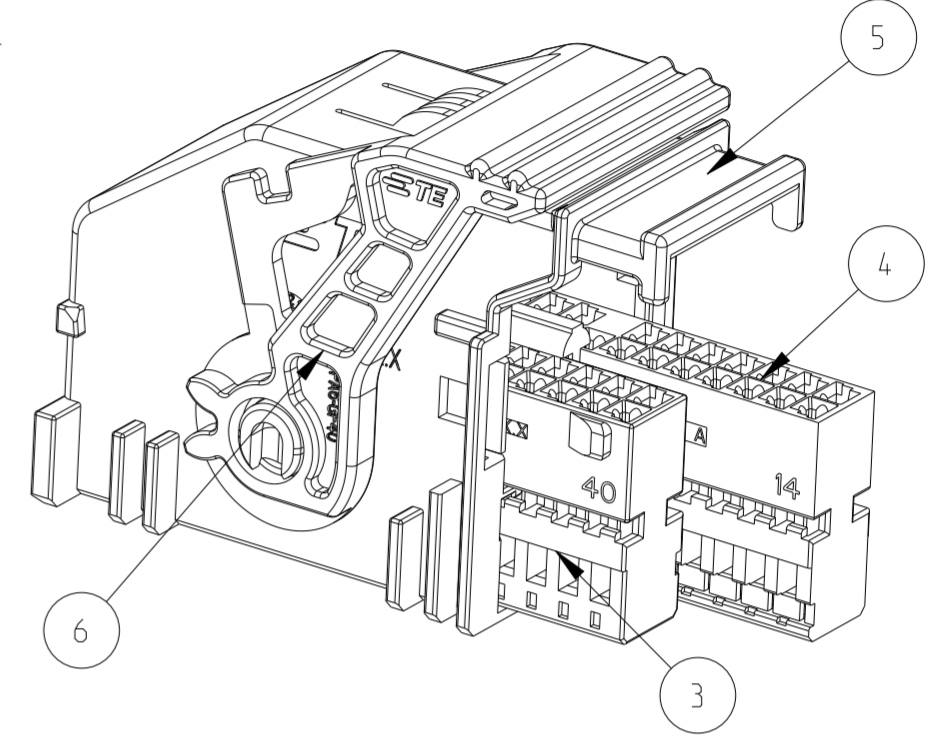
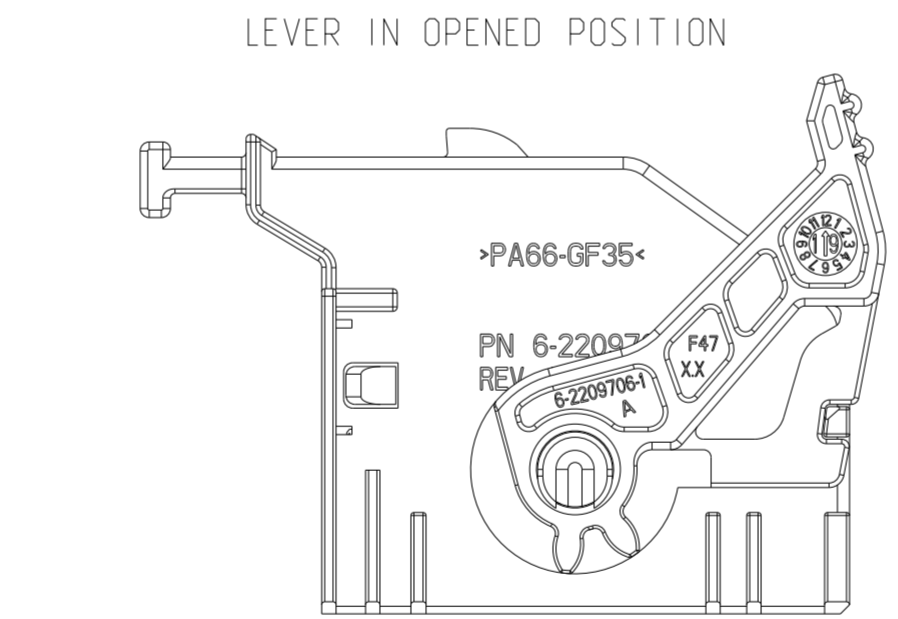
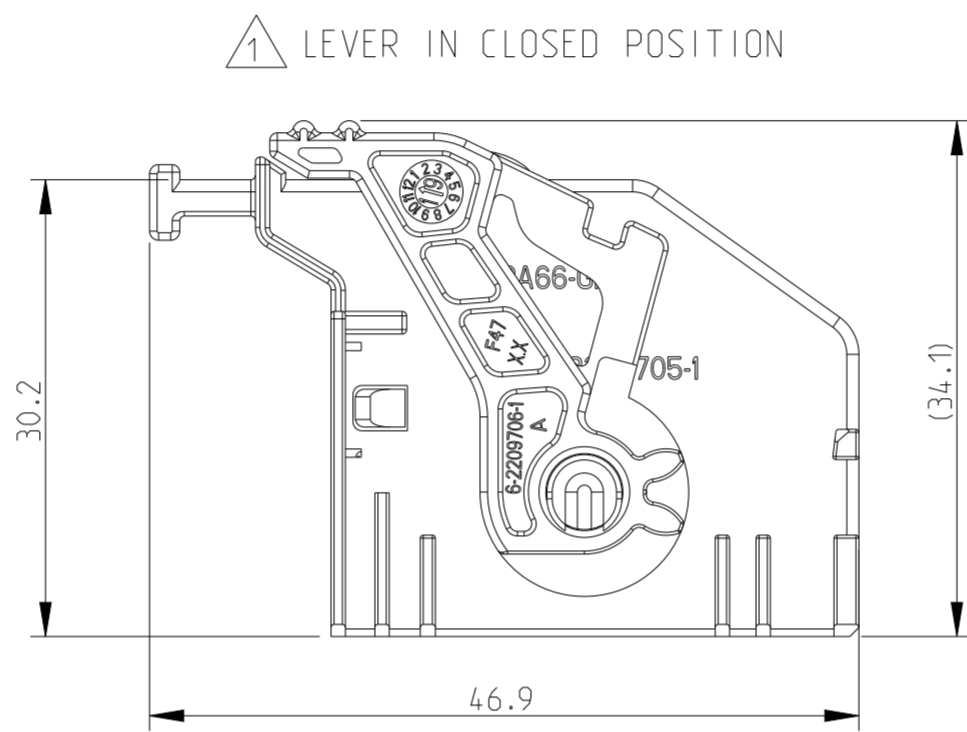
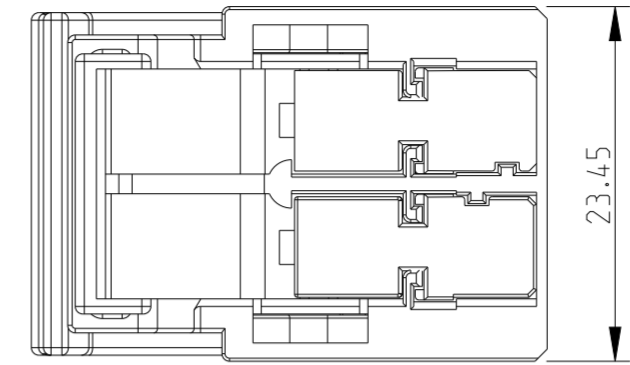
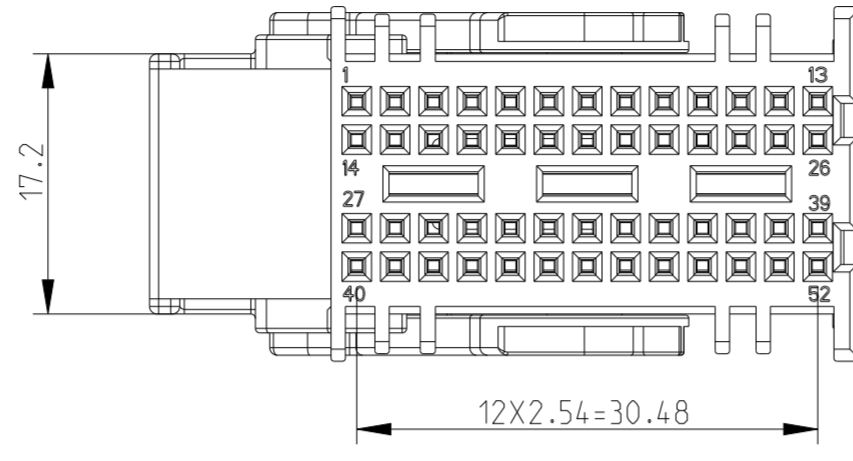
MATERIAL: SEE TABLE TOLERANCES UNLESS OTHERWISE SPECIFIED: SEE TABLE

0 PLC ±0.5  
 1 PLC ±0.5  
 2 PLC ±0.3  
 3 PLC ±  
 4 PLC ±  
 ANGLES ±  
 FINISH ±

CUSTOMER DRAWING SCALE: 1:1 SHEET 1 OF 2 REV: B3

REVISIONS					
P	LTR	DESCRIPTION	DATE	DWN	APVD
		SEE SHEET 1			

P/N	CODING INFORMATION
6-2209477-1	
6-2209477-2	
6-2209477-3	
6-2209477-4	



NOTES

- ▲ THE PRODUCT IS SUPPLIED WITH LEVER IN CLOSED POSITION
- 2) THE PRODUCT IS SUITABLE FOR MATING WITH INTERFACE 114-160058:
- ▲ NUMBER 26+26 CAVITIES SUITABLE FOR MICRO QUADLOCK SYSTEM FEMALE CONTACTS  
 P.N. 928999 WIRE RANGE 0.25-0.35 mm<sup>2</sup>, INSULATOR RANGE Ø1.15-1.6  
 P.N. 963715 WIRE RANGE 0.50-0.75 mm<sup>2</sup>, INSULATOR RANGE Ø1.7-1.9, FOR SELECTION  
 MAXIMUM 25% OF ALL CONTACTS. REFER TO SHEET 1
- 4) SUITABLE MQS SOCKET HOUSING P.N. 1-968326-1 26POS. AND 2-968326-1 26POS.  
 REFER TO SHEET 1
- 5) ITEM 5 AND 6 ASSEMBLY TOGETHER, ASSEMBLY PART AND ITEM 3,4 ARE SUPPLIED  
 IN KIT WITH EQUIVALENT QUANTITY IN A BOX

TE ASS'Y NO.	COLOR	DESCRIPTION	QTY.	ITEM NO.
1	GERY	SOCKET HSG	1	4
1	BLACK	SOCKET HSG	1	3
1	RED	LEVER	1	6
1	GREEN	COVER	1	5
1	GREY		1	
1	BLUE		1	
1	BLACK		1	
6-2209477-4				
6-2209477-3				
6-2209477-2				
6-2209477-1				

THIS DRAWING IS A CONTROLLED DOCUMENT. DWN T.DONG 15OCT2020  
 CHK J.ZONG 15OCT2020

TE Connectivity

NAME: KIT ASS'Y FOR 52POS. MQS FEMALE CONNECTOR

SIZE: A2 CAGE CODE: 00779 DRAWING NO: 6-2209477 RESTRICTED TO: -

SCALE: 1:1 SHEET: 2 OF 2 REV: B3

TE ASS'Y NO. 6-2209477-4 6-2209477-3 6-2209477-2 6-2209477-1

TE ASS'Y NO. 6-2209477-4 6-2209477-3 6-2209477-2 6-2209477-1

TE ASS'Y NO. 6-2209477-4 6-2209477-3 6-2209477-2 6-2209477-1

TE ASS'Y NO. 6-2209477-4 6-2209477-3 6-2209477-2 6-2209477-1