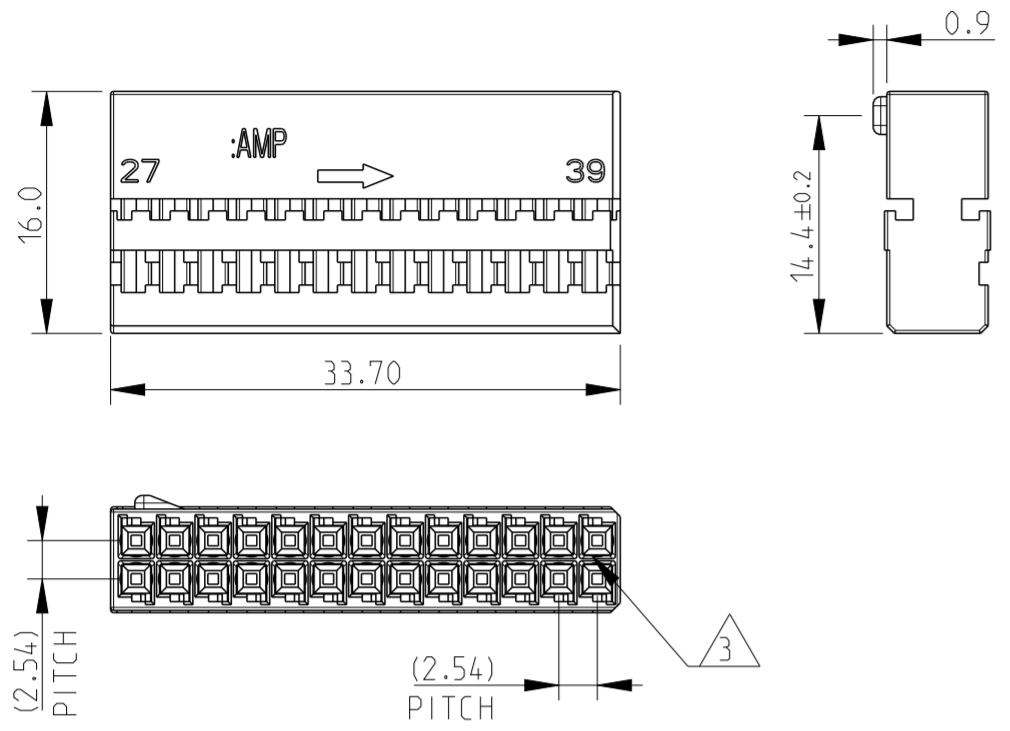
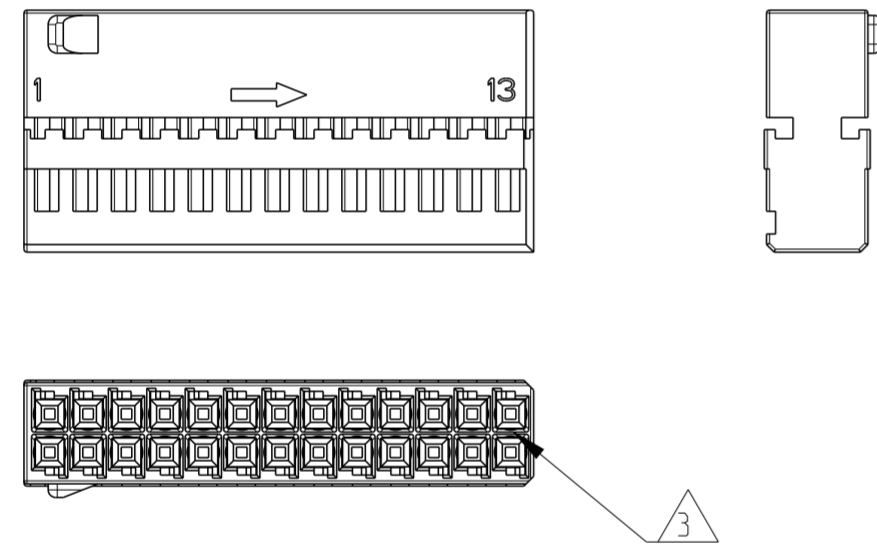


REVISIONS					
P	LTR	DESCRIPTION	DATE	DWN	APVD
B1		ECR-20-016644	18NOV2020	S.C	J.Z
B2		ECR-21-003344	16MAR2021	Z.W	J.Z
B3		ECR-23-195421	18DEC2023	A.X	J.Z
B4		ECN-24-280059	16AUG2024	A.X	J.Z

DIMENSION FOR LEFT SIDE HOUSING  
 COLOR BLACK-POS. 27-52 - ITEM 3

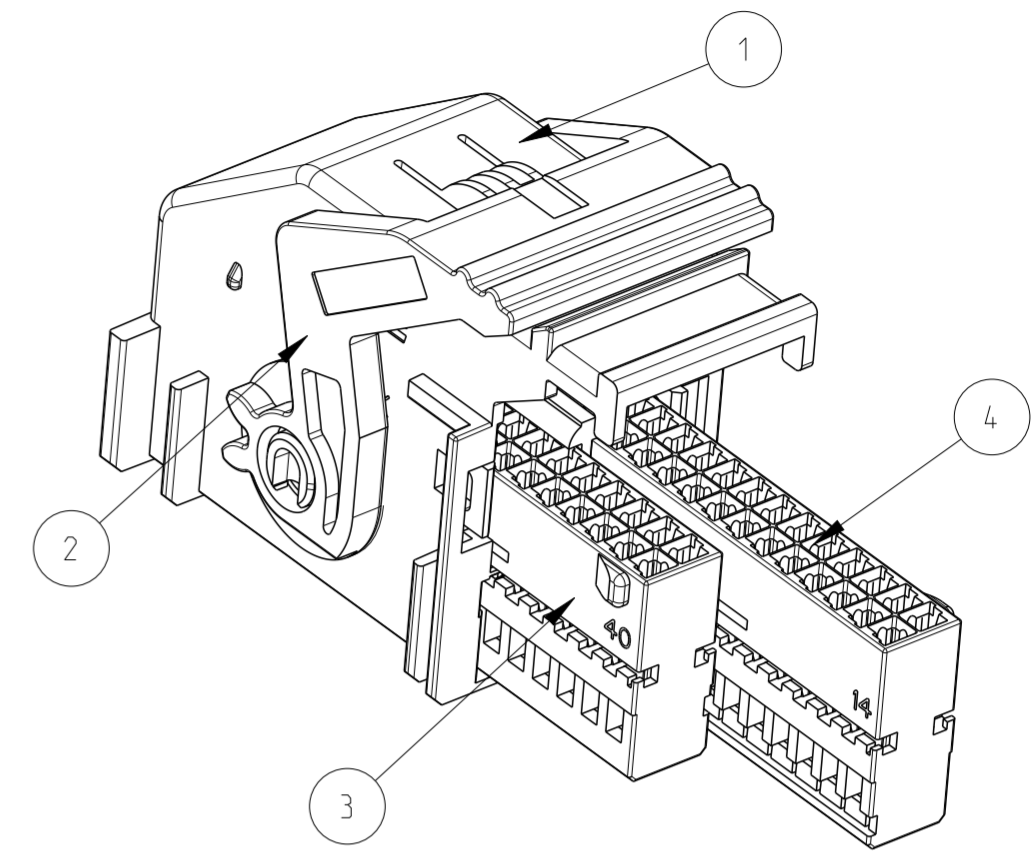
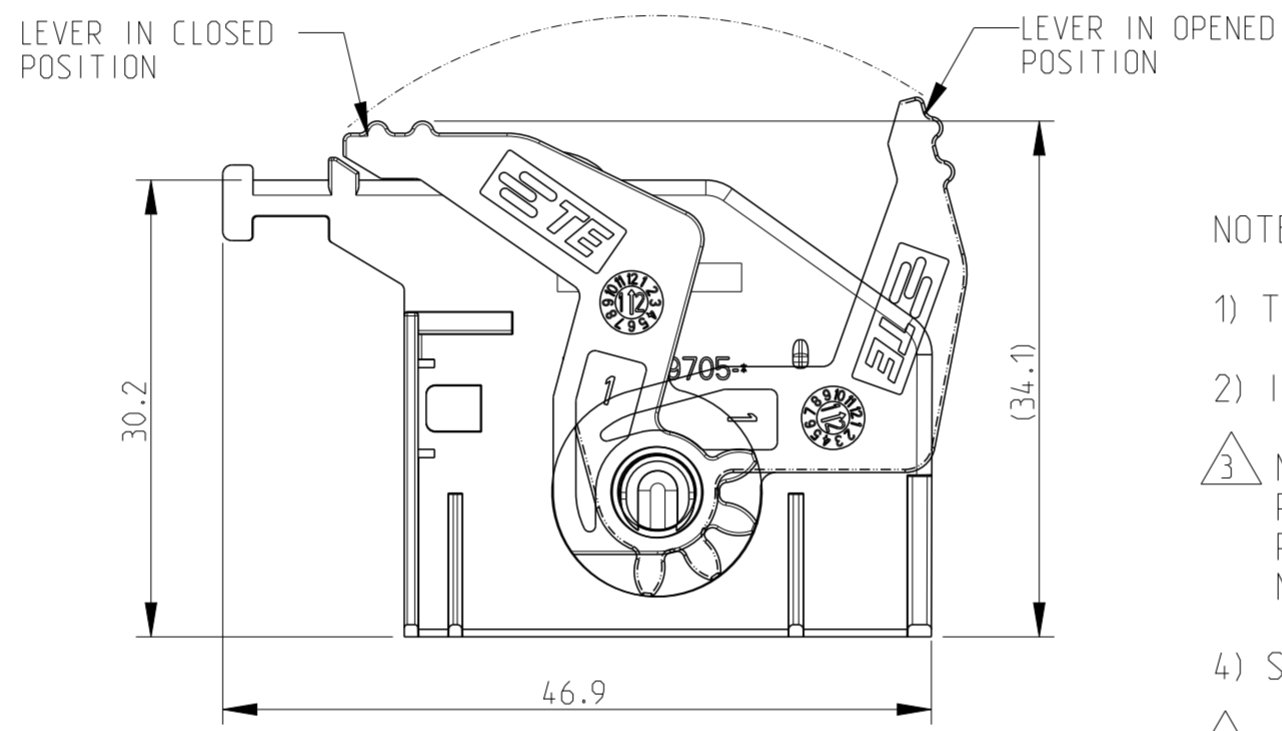
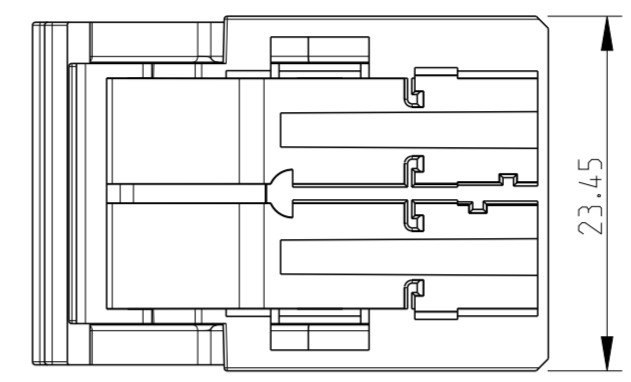
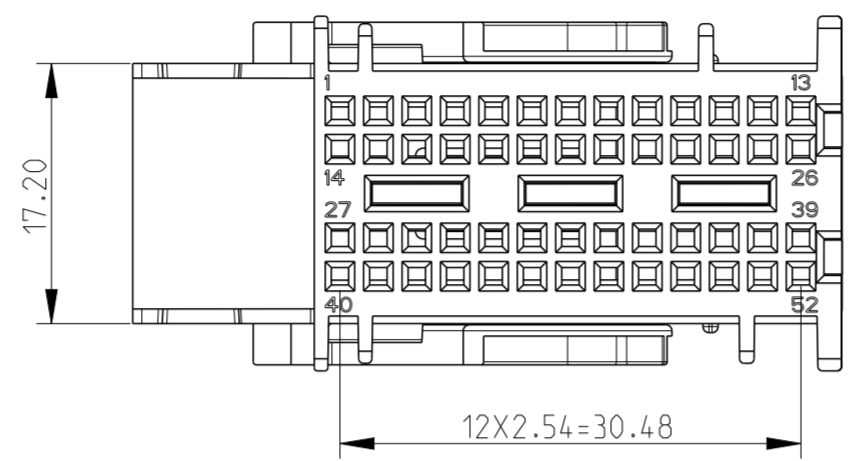


DIMENSION FOR RIGHT SIDE HOUSING  
 COLOR GREY-POS. 1-26 - ITEM 4



FOR MISSING DIMENSIONS SEE LEFT SIDE HOUSING DRAWING

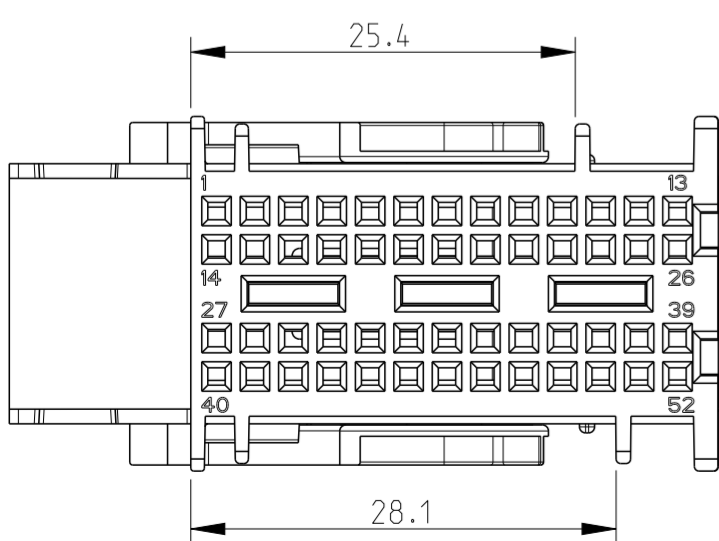
P/N 2209477-1 AS SHOWN



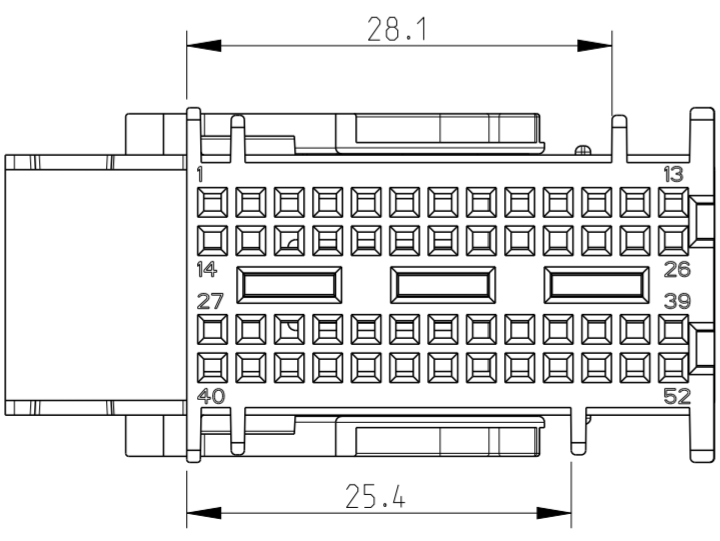
NOTES

- 1) THE PRODUCT IS SUPPLIED WITH LEVER IN CLOSED POSITION
- 2) INTERFACE DRAWING SEE 114-32231
- 3) NUMBER 26+26 CAVITIES SUITABLE FOR MICRO QUADLOCK SYSTEM FEMALE CONTACTS  
 P.N. 928999-1 WIRE RANGE 0.25-0.35 mm<sup>2</sup>, INSULATOR RANGE Ø1.15-1.6  
 P.N. 963715-1 WIRE RANGE 0.50-0.75 mm<sup>2</sup>, INSULATOR RANGE Ø1.7-1.9, FOR SELECTION  
 MAXIMUM 25% OF ALL CONTACTS
- 4) SUITABLE MQS SOCKET HOUSING P.N. 1-968326-1 26POS. AND 2-968326-1 26POS.
- 5) ITEM 1 AND 2 ASSEMBLY TOGETHER, ASSEMBLY PART AND ITEM 3,4 ARE SUPPLIED  
 IN KIT WITH EQUIVALENT QUANTITY IN A BOX

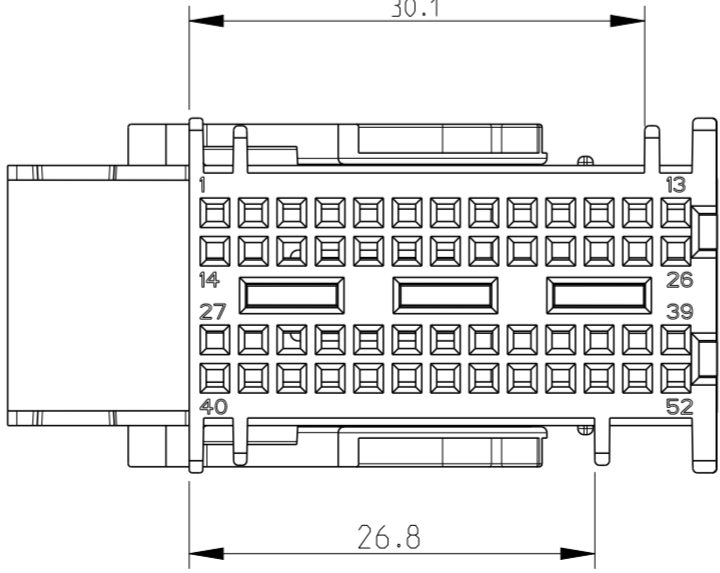
MECHANICAL CODING DIMENSIONS  
 P.N. 2209477-1, COLOR - BLACK



MECHANICAL CODING DIMENSIONS  
 P.N. 2209477-2, COLOR - BLUE



MECHANICAL CODING DIMENSIONS  
 P.N. 2209477-3, COLOR - GREY



B4

				1	1	1	GERY	SOCKET HSG	1	4
				1	1	1	BLACK	SOCKET HSG	1	3
				1	1	1	RED	LEVER	1	2
				1	1	1	GREY	COVER	1	1
				1	1	1	BLUE		1	
				1	1	1	BLACK		1	
				1-2209477-3	1-2209477-2	1-2209477-1	2209477-3	2209477-2	2209477-1	COLOR DESCRIPTION QTY. ITEM NO.

TE ASS'Y NO.

THIS DRAWING IS A CONTROLLED DOCUMENT.

DWN: T.DONG 07MAR2013  
 CHK: A.DANG 07MAR2013  
 APVD: L.YIN 11MAR2013

NAME: KIT ASS'Y FOR 52POS. MQS FEMALE CONNECTOR

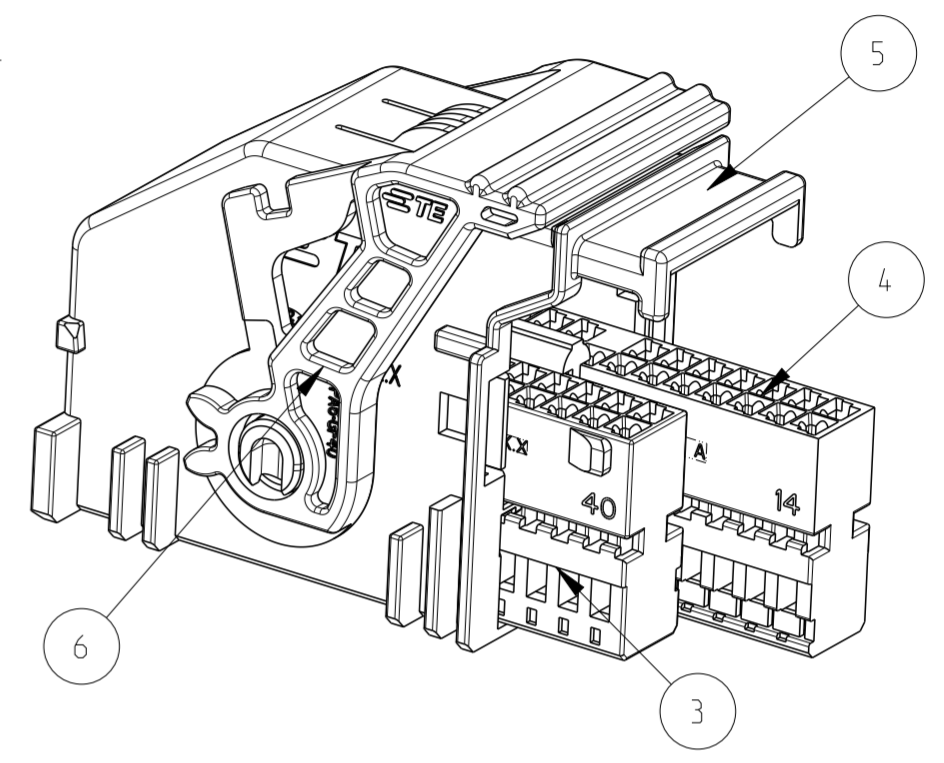
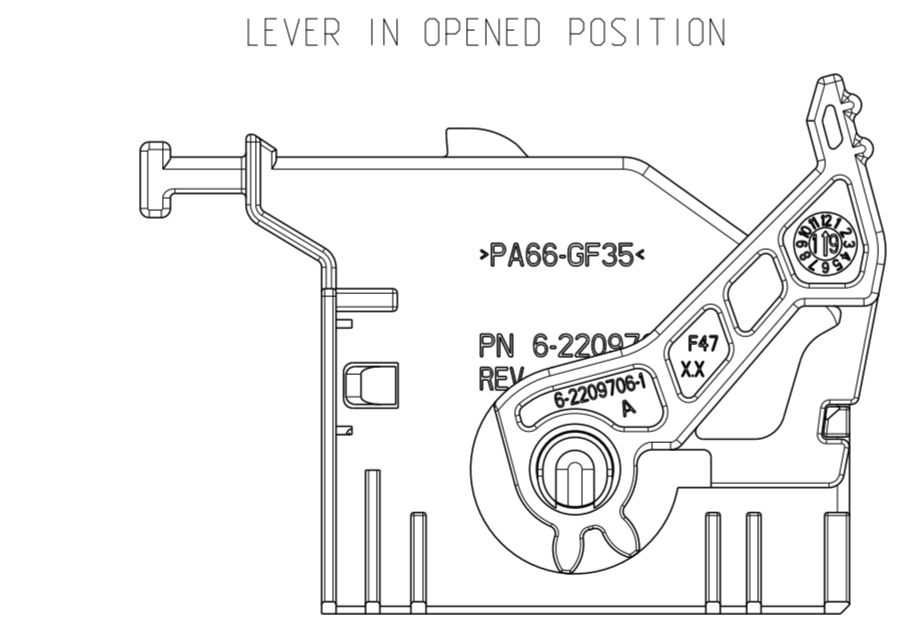
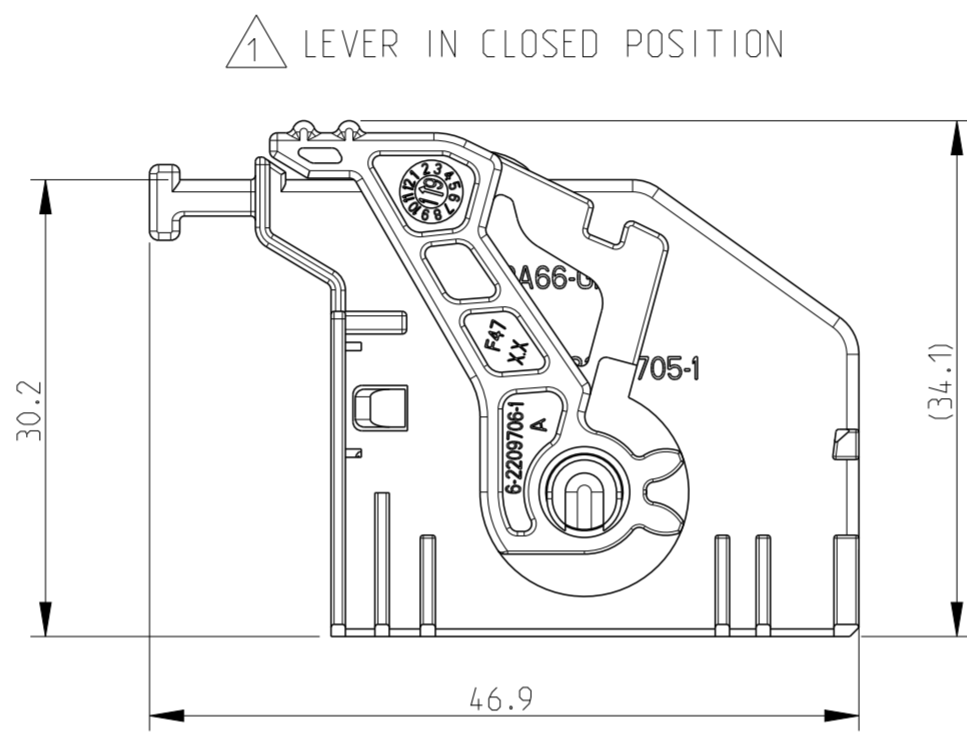
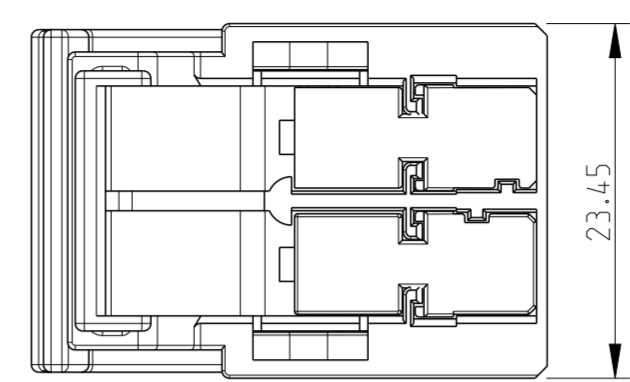
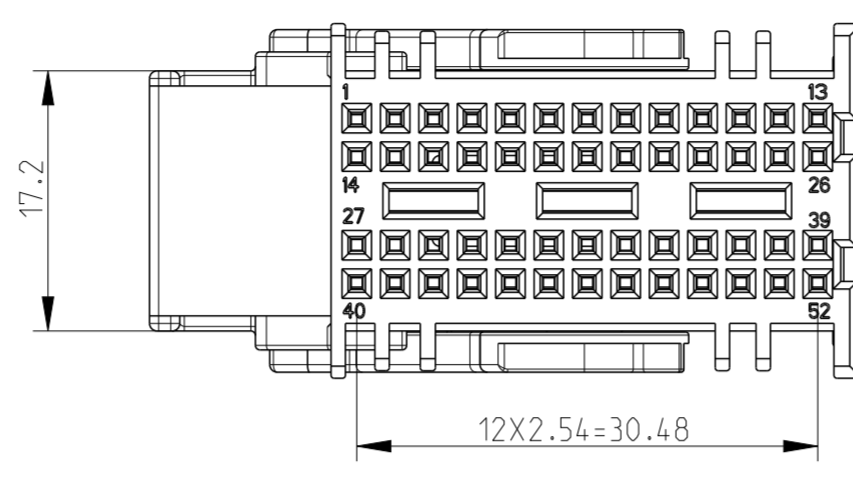
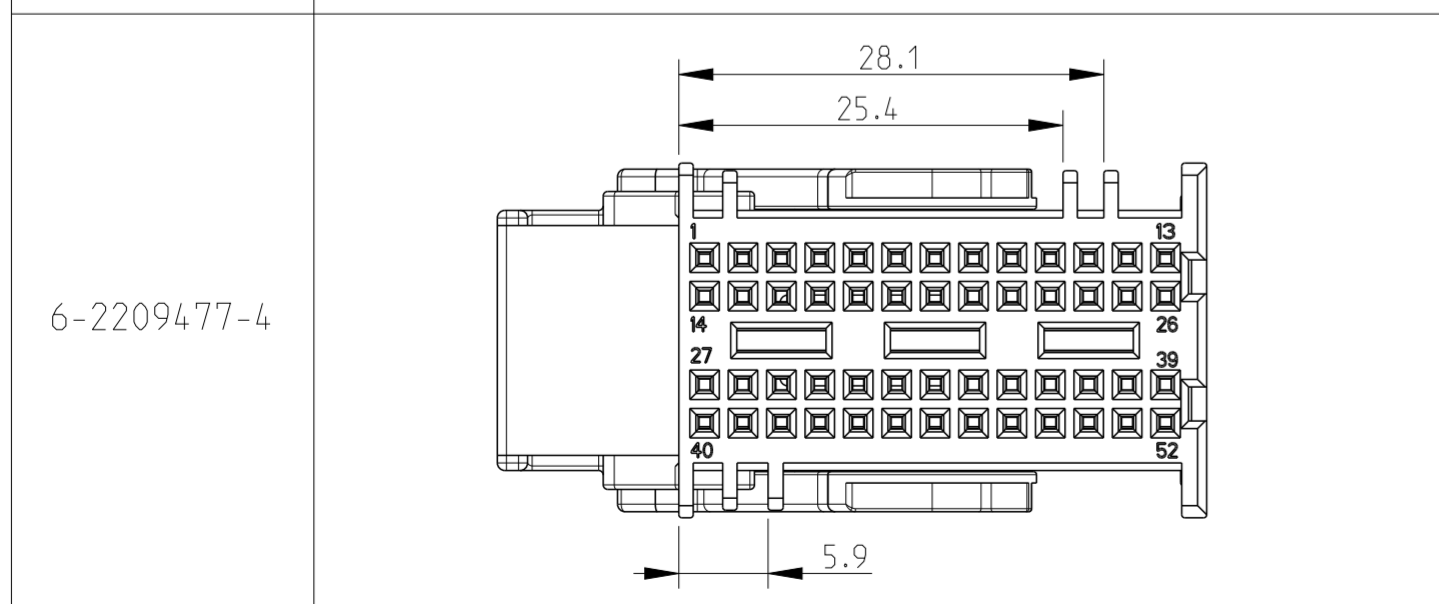
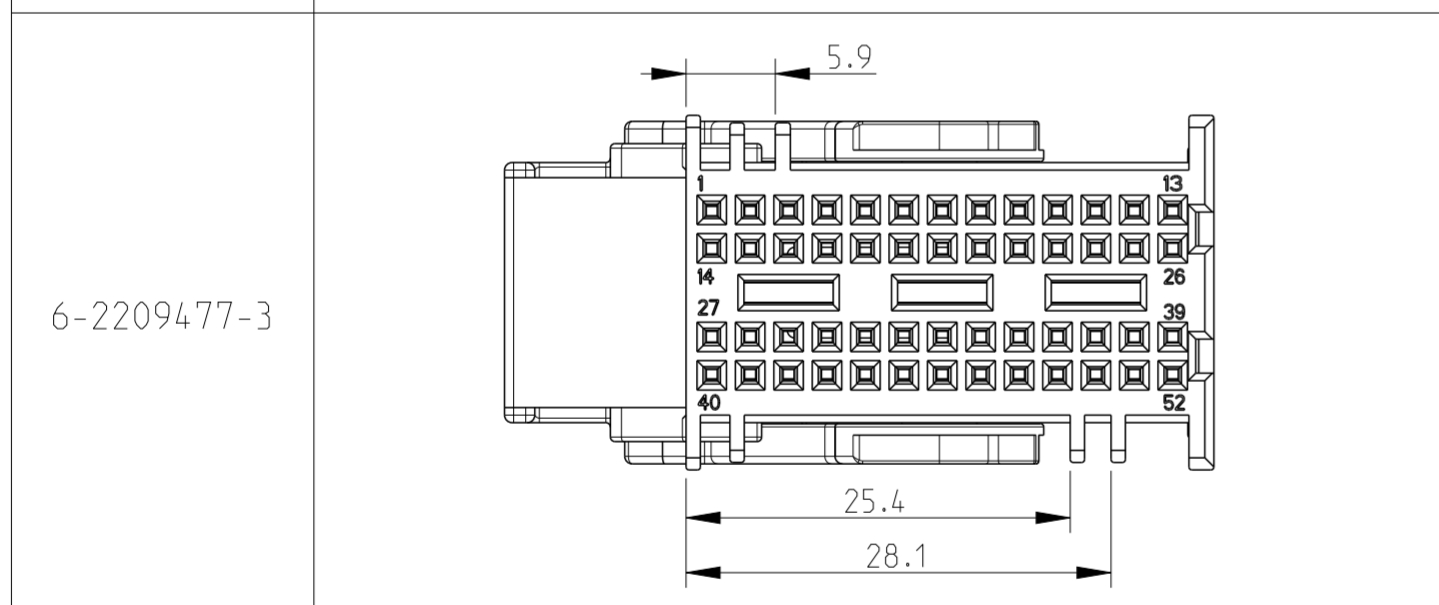
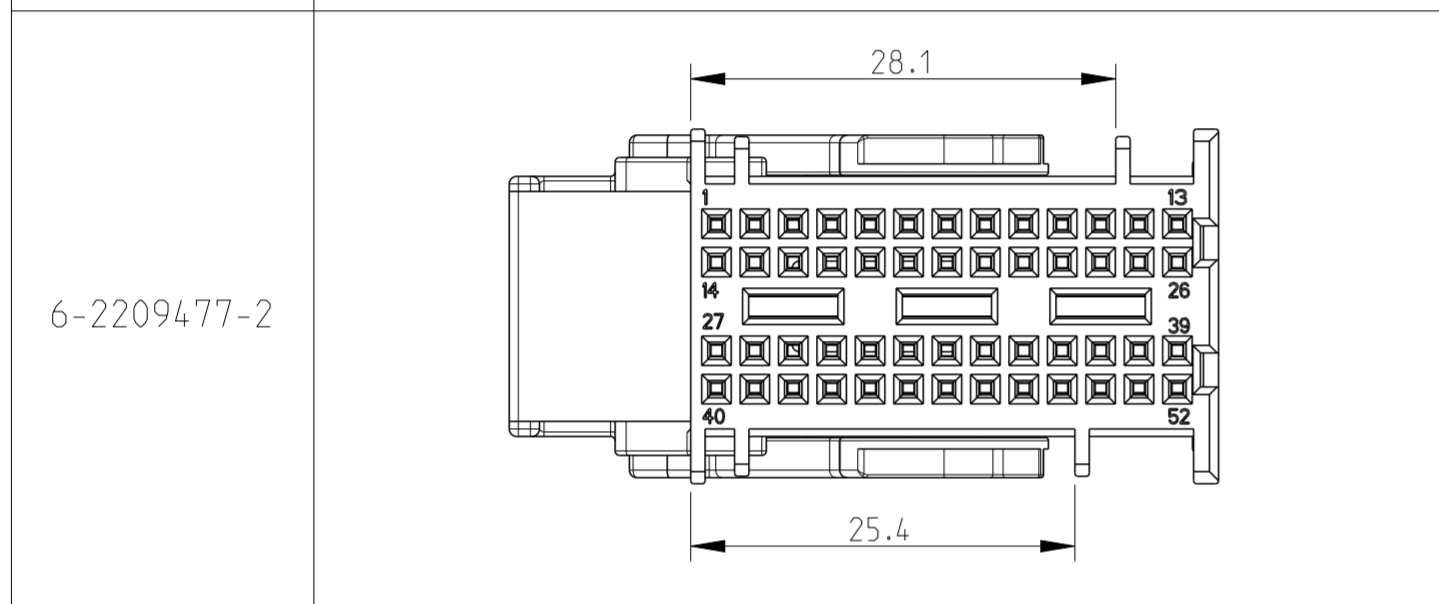
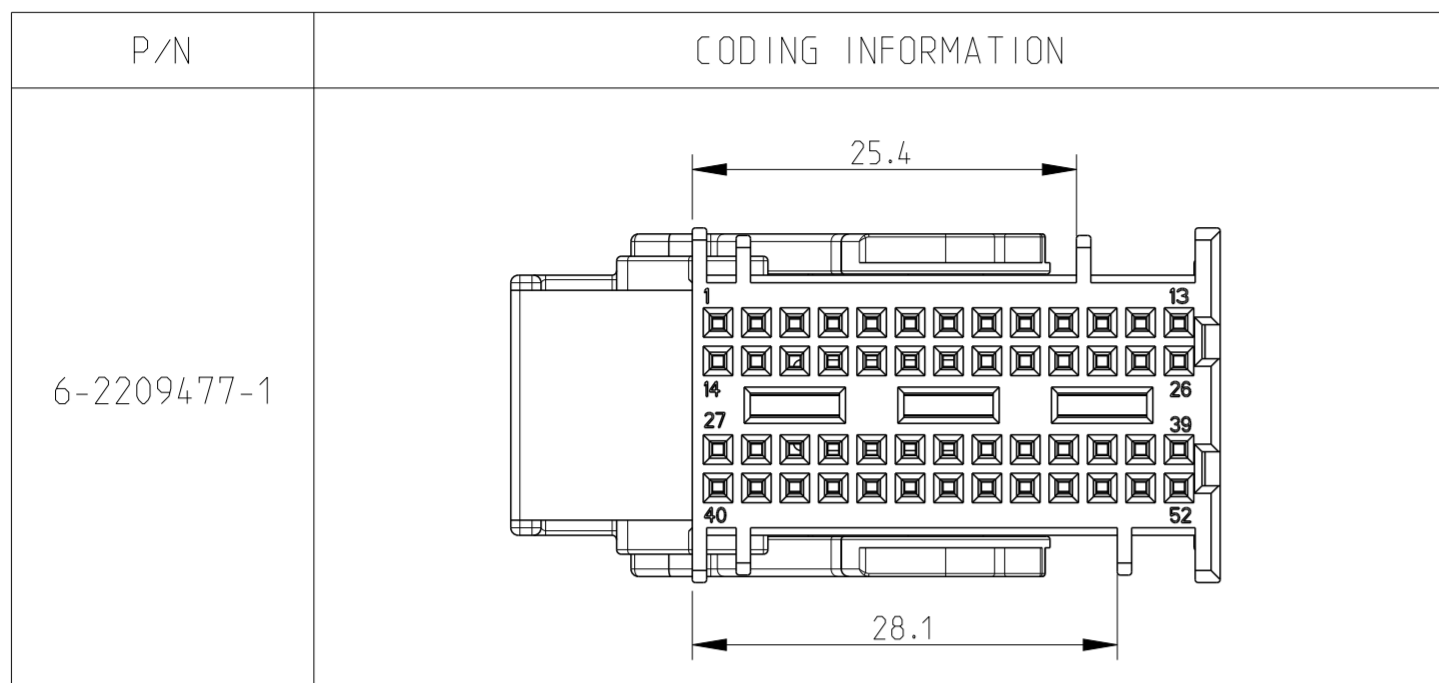
PRODUCT SPEC: 108-20258  
 APPLICATION SPEC: 114-18630

SIZE: A2 CAGE CODE: 00779 DRAWING NO: C-2209477 RESTRICTED TO: -

MATERIAL: - FINISH: - WEIGHT: -

CUSTOMER DRAWING SCALE: 1:1 SHEET 1 OF 2 REV: B4

REVISIONS					
P	LTR	DESCRIPTION	DATE	DWN	APVD
		SEE SHEET 1			



NOTES

- 1) THE PRODUCT IS SUPPLIED WITH LEVER IN CLOSED POSITION
- 2) THE PRODUCT IS SUITABLE FOR MATING WITH INTERFACE 114-160058:
- 3) NUMBER 26+26 CAVITIES SUITABLE FOR MICRO QUADLOCK SYSTEM FEMALE CONTACTS P.N. 928999 WIRE RANGE 0.25-0.35 mm<sup>2</sup>, INSULATOR RANGE Ø1.15-1.6 P.N. 963715 WIRE RANGE 0.50-0.75 mm<sup>2</sup>, INSULATOR RANGE Ø1.7-1.9, FOR SELECTION MAXIMUM 25% OF ALL CONTACTS, REFER TO SHEET 1
- 4) SUITABLE MQS SOCKET HOUSING P.N. 1-968326-1 26POS. AND 2-968326-1 26POS. REFER TO SHEET 1
- 5) ITEM 5 AND 6 ASSEMBLY TOGETHER, ASSEMBLY PART AND ITEM 3,4 ARE SUPPLIED IN KIT WITH EQUIVALENT QUANTITY IN A BOX

X	1	1	1	1	GERY	SOCKET HSG	1	4	
	1	1	1	1	BLACK	SOCKET HSG	1	3	
	1	1	1	1	RED	LEVER	1	6	
	1				GREEN	COVER	1	5	
		1			GREY		1		
		1		BLUE	1				
6-2209477-4	6-2209477-3	6-2209477-2	6-2209477-1	1	BLACK		1		
TE ASS'Y NO.						COLOR	DESCRIPTION	QTY.	ITEM NO.

THIS DRAWING IS A CONTROLLED DOCUMENT. DWN T.DONG 15OCT2020  
 CHK J.ZONG 15OCT2020

DIMENSIONS: mm TOLERANCES UNLESS OTHERWISE SPECIFIED:  
 0 PLC ±  
 1 PLC ±0.5  
 2 PLC ±0.3  
 3 PLC ±  
 4 PLC ±  
 ANGLES ±2°  
 MATERIAL FINISH

APVD - PRODUCT SPEC - APPLICATION SPEC - WEIGHT -

NAME: KIT ASS'Y FOR 52POS. MQS FEMALE CONNECTOR

SIZE: A2 CAGE CODE: 00779 DRAWING NO: 6-2209477 RESTRICTED TO: -

CUSTOMER DRAWING SCALE: 1:1 SHEET: 2 OF 2 REV: B4

**STE** TE Connectivity