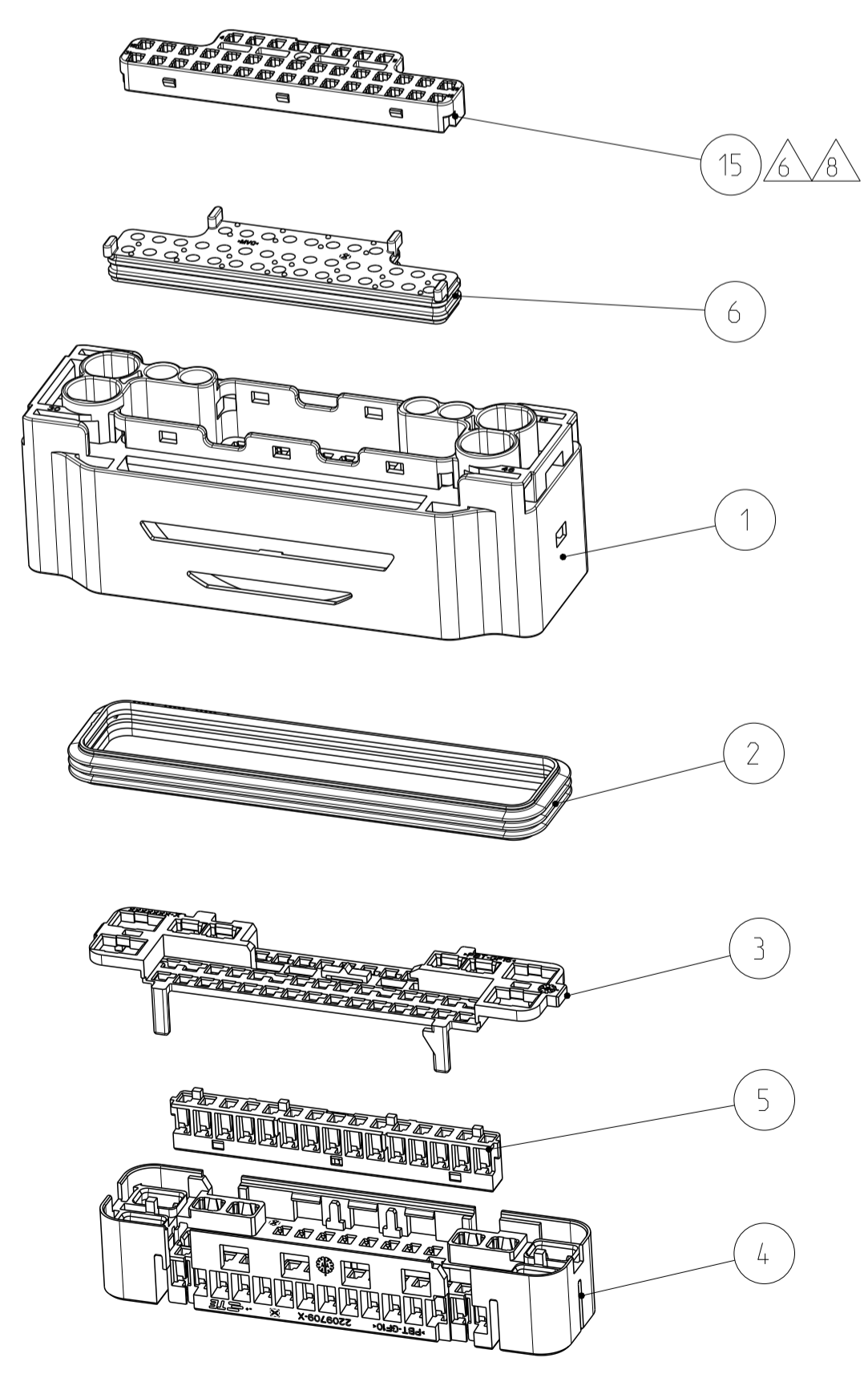
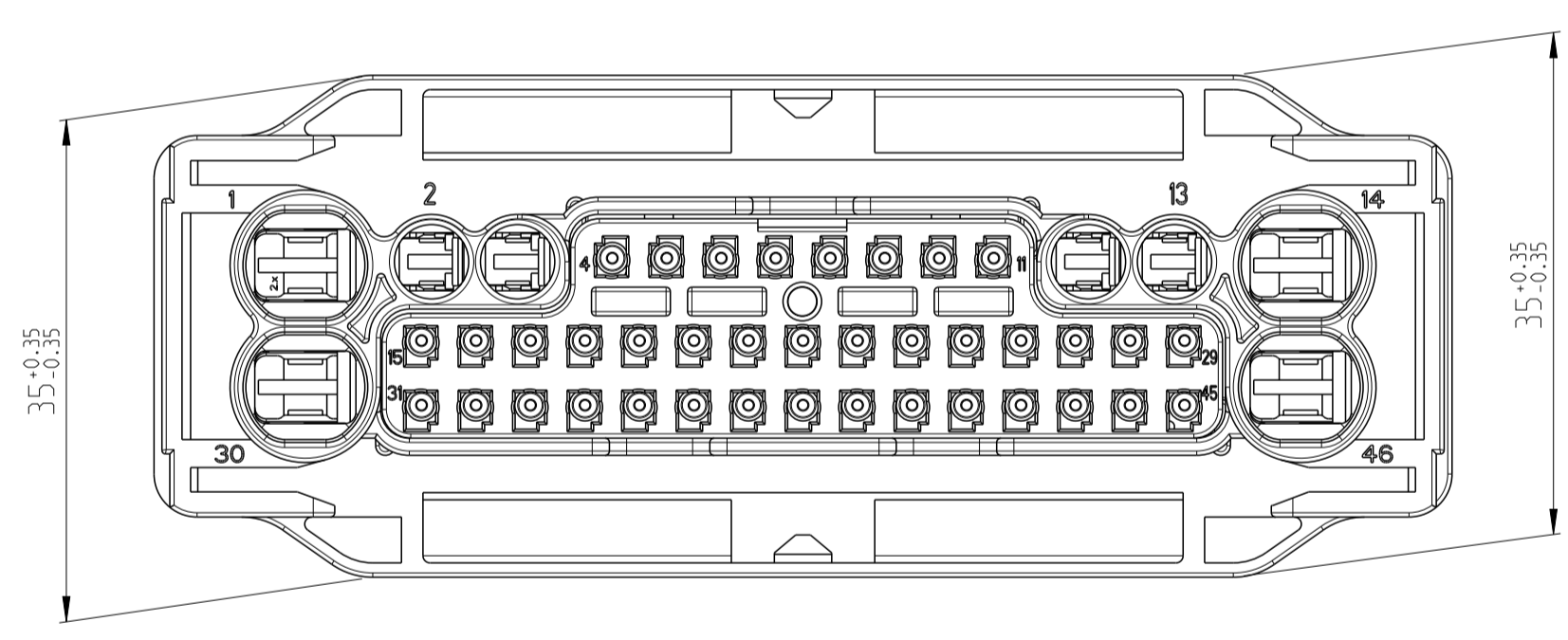
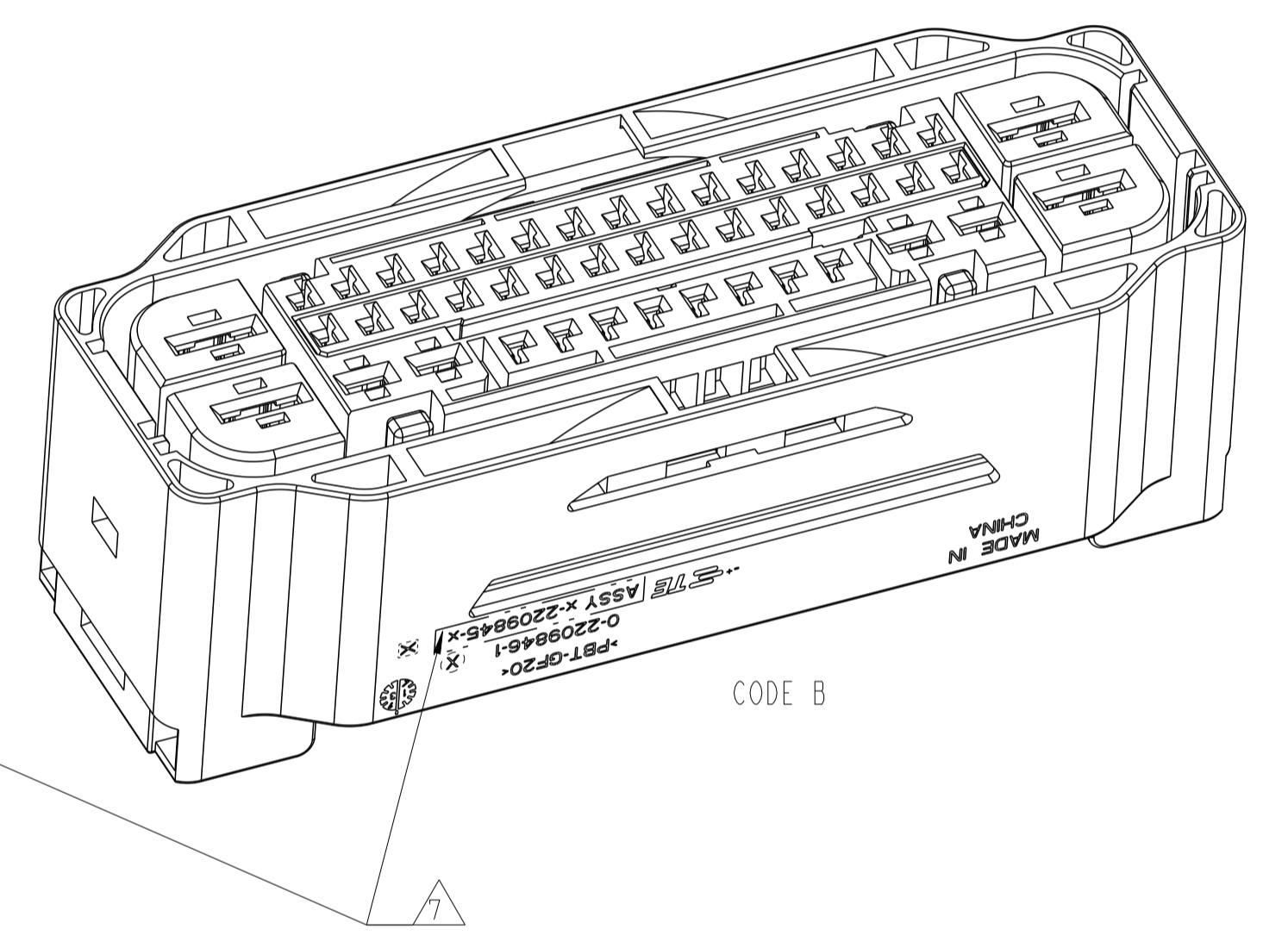
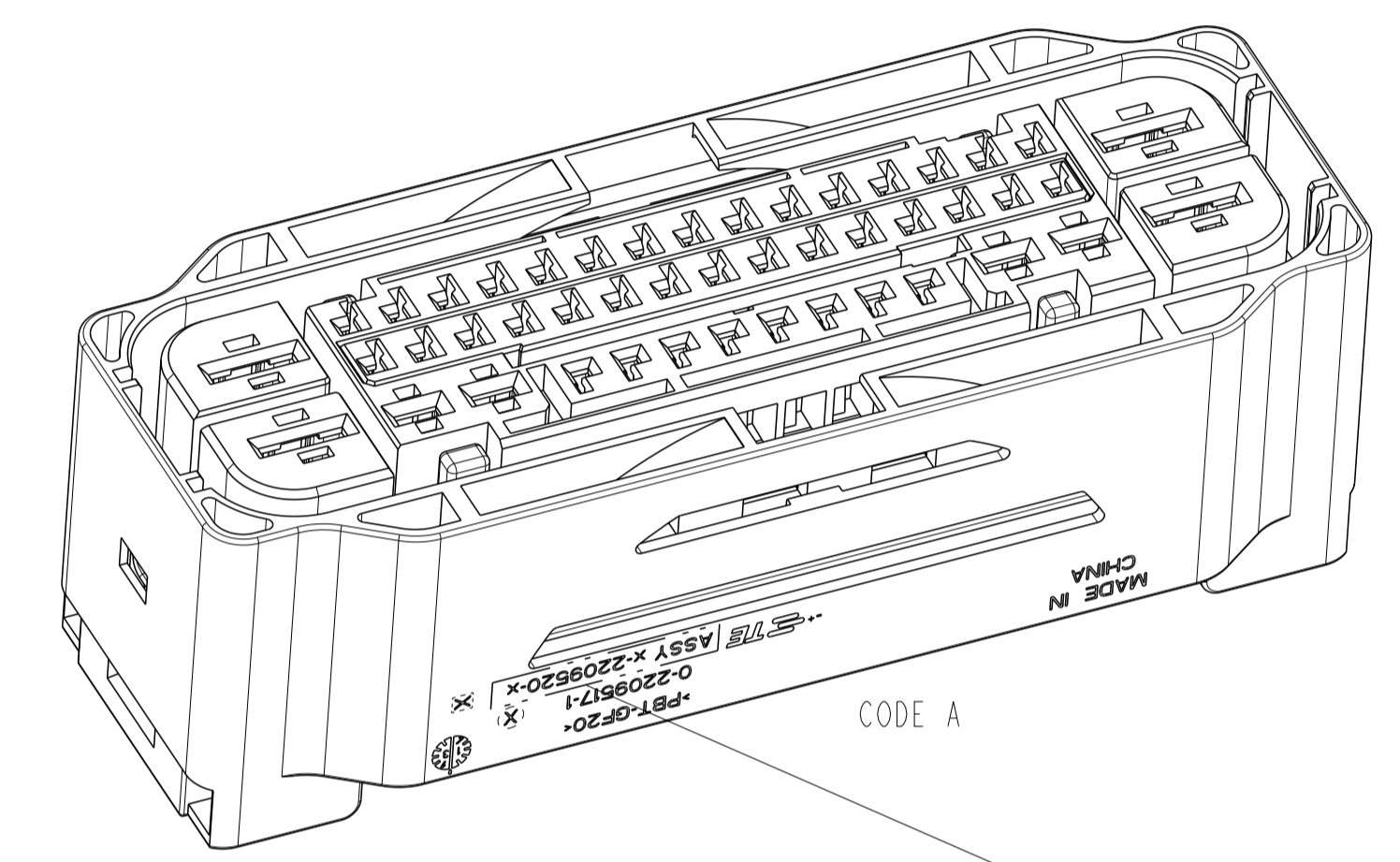
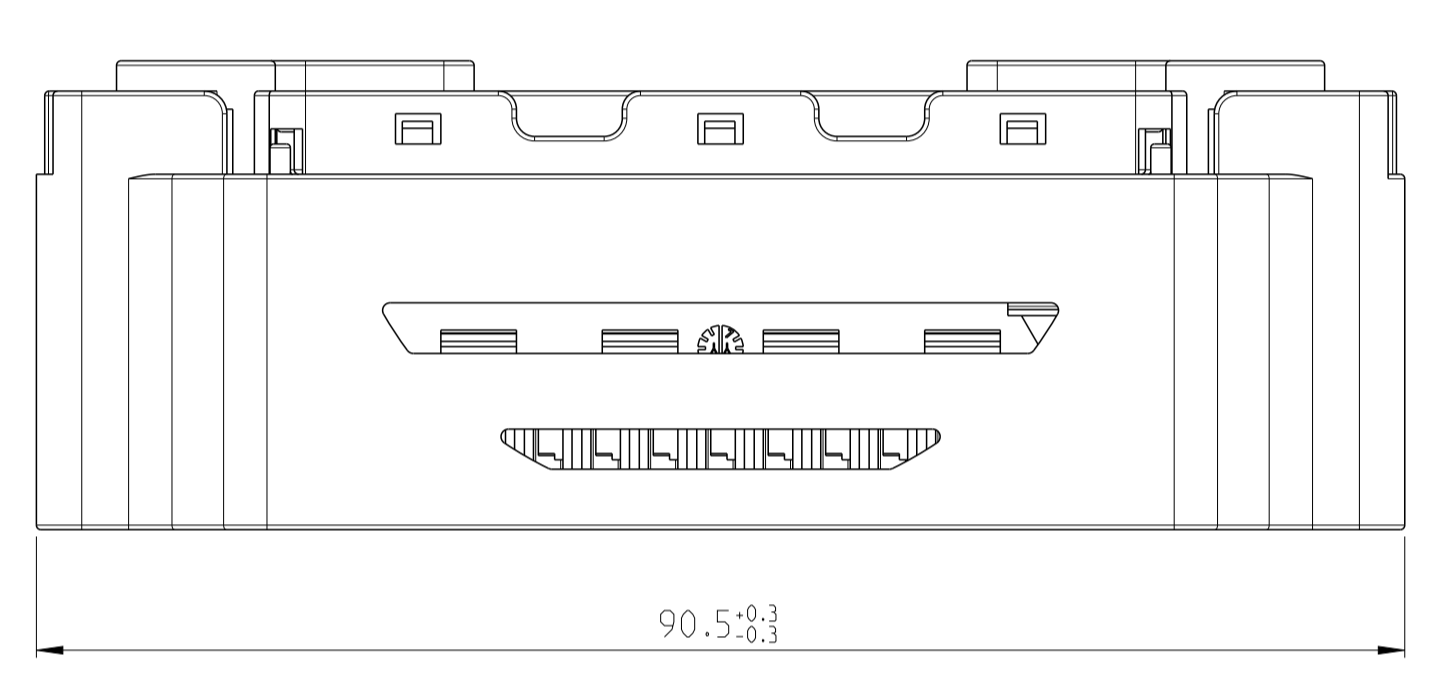
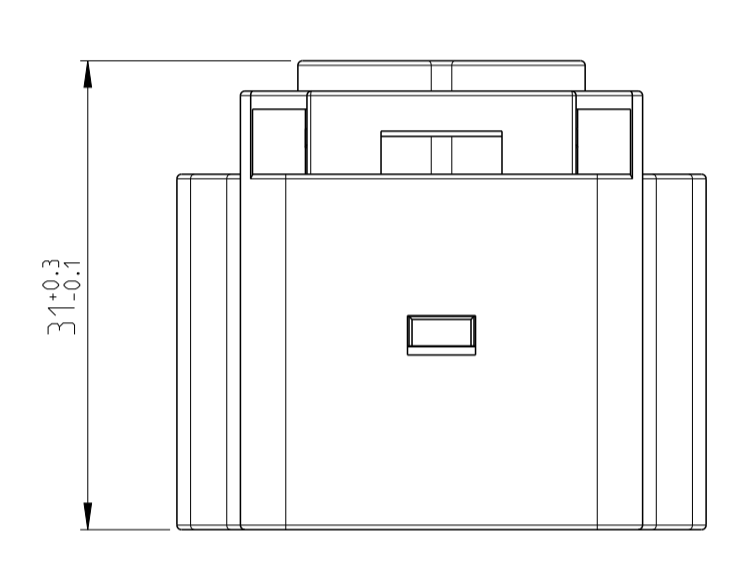
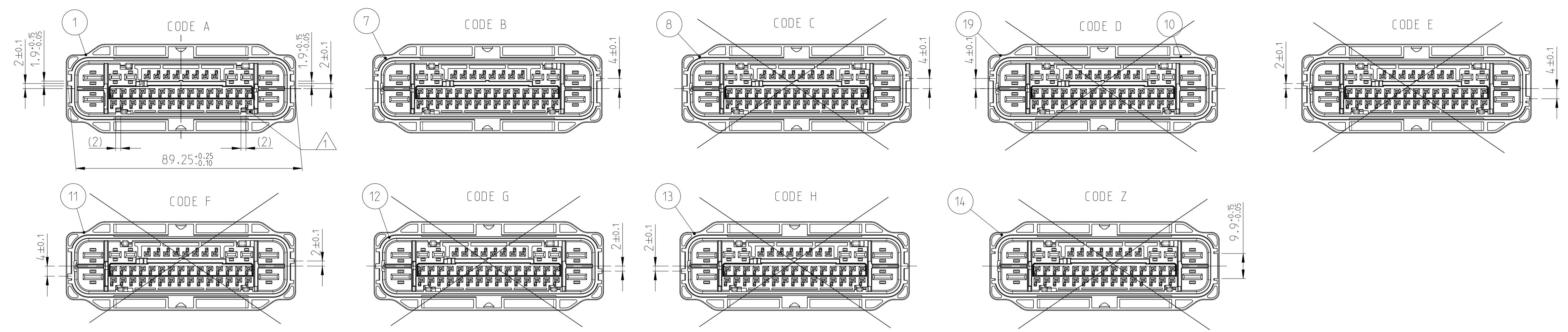


LOC		DIST		REVISIONS			
P	LTN	DESCRIPTION	DATE	OWN	APPV		
B27		ECR-24-208648 add variant pn	13MAY 24	S.X	J.Z		
B28		ECR-24-209663 add variant PN	23MAY 24	S.X	J.Z		
C		ECR-24-210935	06JUN 24	S.X	J.Z		
C1		ECR-24-220143	10SEP 24	S.X	J.Z		



NOTES

- 1 RETAINER (3) IN PRE-LOCKED CONDITION
- 2 USED WITH 2209521 (COVER ASSY)
- 3 PACKING: LAYERS IN BOX
- 4 TE ASSY NO., SEE TABLE
- 5 SUITABLE CONTACTS, E.G.:  
 MCON 1.2 CB 1534594-1 OR 2296537-1 FOR 0.35MM2,  
 THE DETAIL SEE DRAWING NO. 1534326 AND ONLY  
 FOR WIRE ISOLATION OD RANGE ø1.10-1.90MM2  
  
 AMP MCP 2.8K 1241394-1 FOR 0.5-1MM2,  
 THE DETAIL SEE DRAWING NO. 1241437  
  
 AMP MCP 4.8K 1241414-1 FOR 1.5-2.5MM2,  
 WITH SWS 1394512-1  
 AMP MCP 4.8K 1-1241418-3 FOR >4.0 - 6.0MM2  
 WITH SWS 1719043-1  
 THE DETAIL SEE DRAWING NO. 1241438
- 6 FOR ITEM 15, DETAIL VARIANT(PIN OUT FORM) SEE TABLE OF PAGE 2 & PAGE3
- 7 ASSY P/N NEED LASER MARKING IN ASSY LINE

PN 9-2209520-1 Without SEAL COVER  
 USED WITH: SEAL COVER X-2437354-X

COD	TE ASSY-NO	REV.	COLOR	MATERIAL	DESCRIPTION	QTY.	ITEM NO
A	9-2209520-1	C	LIGHT BLUE	SILICONE	FAMILY SEAL	1	6
			BLACK	PBT-GF10	CAVITY BLOCK	1	5
			BLACK	PBT-GF10	CAVITY BLOCK	1	4
			VIOLET	PBT-GF15	RETAINER	1	3
			NATURAL	SILICONE	SEALING	1	2
			BLACK	PBT-GF20	HOUSING 46 POS.	1	1

With SEAL COVER PN X-2209520-X  
 MORE PINOUT CONFIGURATION INFORMATION SEES PAGE 2.

COD	TE ASSY-NO	REV.	COLOR	MATERIAL	DESCRIPTION	QTY.	ITEM NO
B	9-2209845-9	C	NATURAL	PBT-GF20	SEAL COVER	1	15
			LIGHT BLUE	SILICONE	FAMILY SEAL	1	6
			BLACK	PBT-GF10	CAVITY BLOCK	1	5
			BLACK	PBT-GF10	CAVITY BLOCK	1	4
			VIOLET	PBT-GF15	RETAINER	1	3
			NATURAL	SILICONE	SEALING	1	2
			BLACK	PBT-GF20	HOUSING 46 POS.	1	7
A	9-2209520-9	C	NATURAL	PBT-GF20	SEAL COVER	1	15
			LIGHT BLUE	SILICONE	FAMILY SEAL	1	6
			BLACK	PBT-GF10	CAVITY BLOCK	1	5
			BLACK	PBT-GF10	CAVITY BLOCK	1	4
			VIOLET	PBT-GF15	RETAINER	1	3
			NATURAL	SILICONE	SEALING	1	2
			BLACK	PBT-GF20	HOUSING 46 POS.	1	1

THIS DRAWING IS A CONTROLLED DOCUMENT.

DIMENSIONS: mm  
 TOLERANCES UNLESS OTHERWISE SPECIFIED:  
 0 PLC ±  
 1 PLC ±  
 2 PLC ±  
 3 PLC ±  
 4 PLC ±  
 DIMLES  
 MATERIAL SEE TABLE  
 FINISH

DWG: J.ZONG 04-MAR-13  
 CHK: A.DANG 04-MAR-13  
 APPV: LYJIN 04-MAR-13  
 PRODUCT SPEC: 100-101281  
 APPLICATION SPEC: 116-101047  
 WEIGHT: 58.8g  
 CUSTOMER DRAWING

**TE** TE Connectivity  
 NAME: 46 POS REC HSG. ASSY  
 MCON 1.2CB, MCP 2.8/4.8 mm  
 SIZE: A1  
 CAGE CODE: 00779  
 DRAWING NO: 2209520  
 SCALE: 1:1 SHEET 1 OF 3 REV: C1



