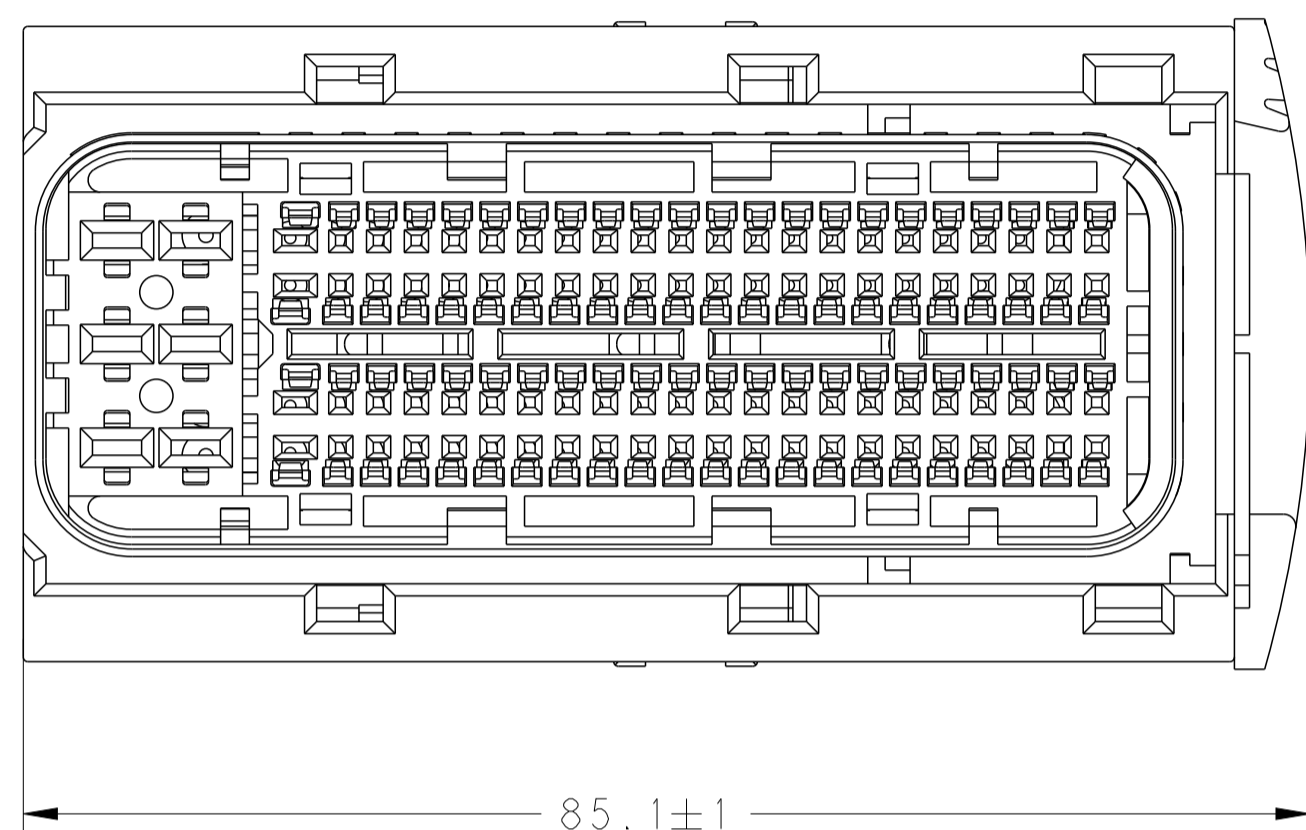
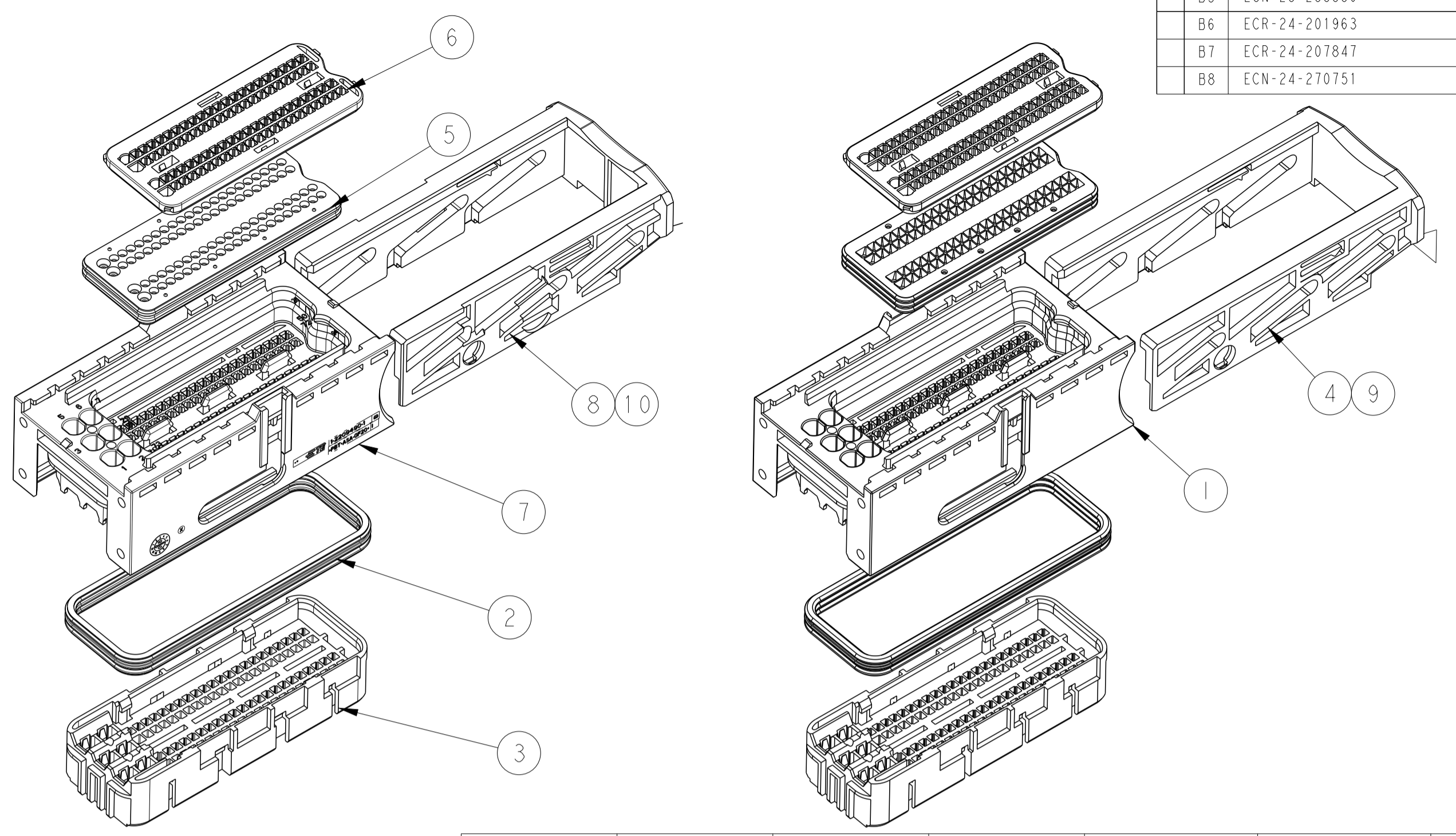
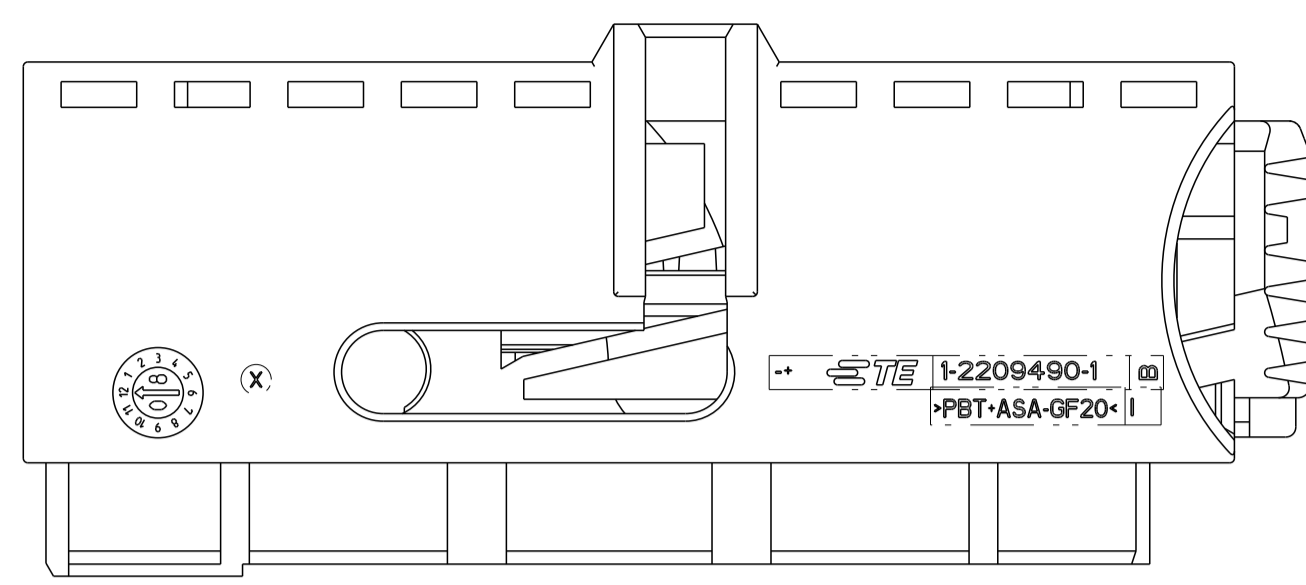
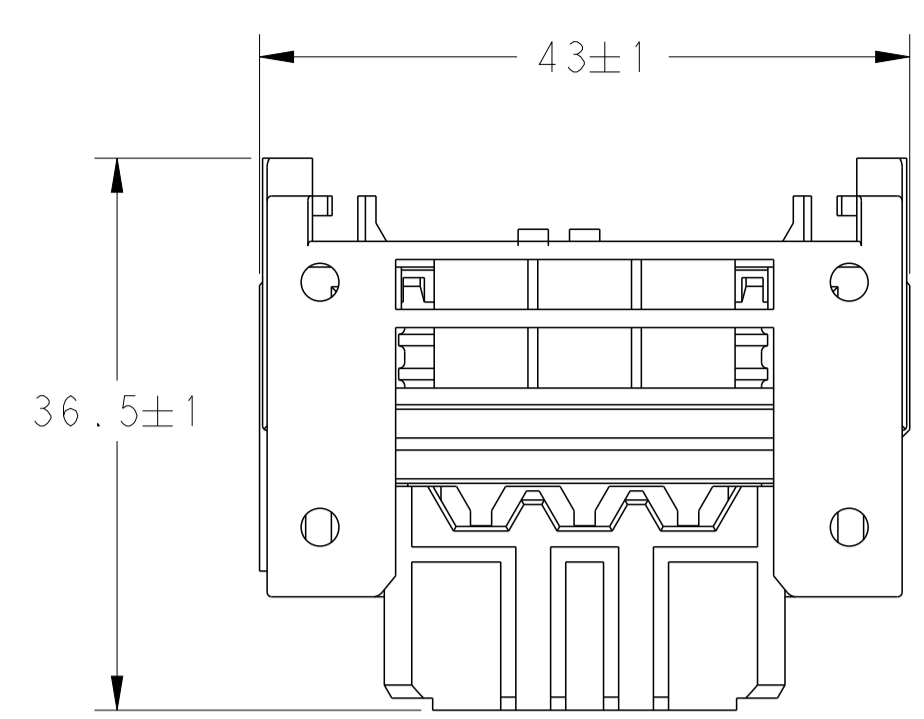
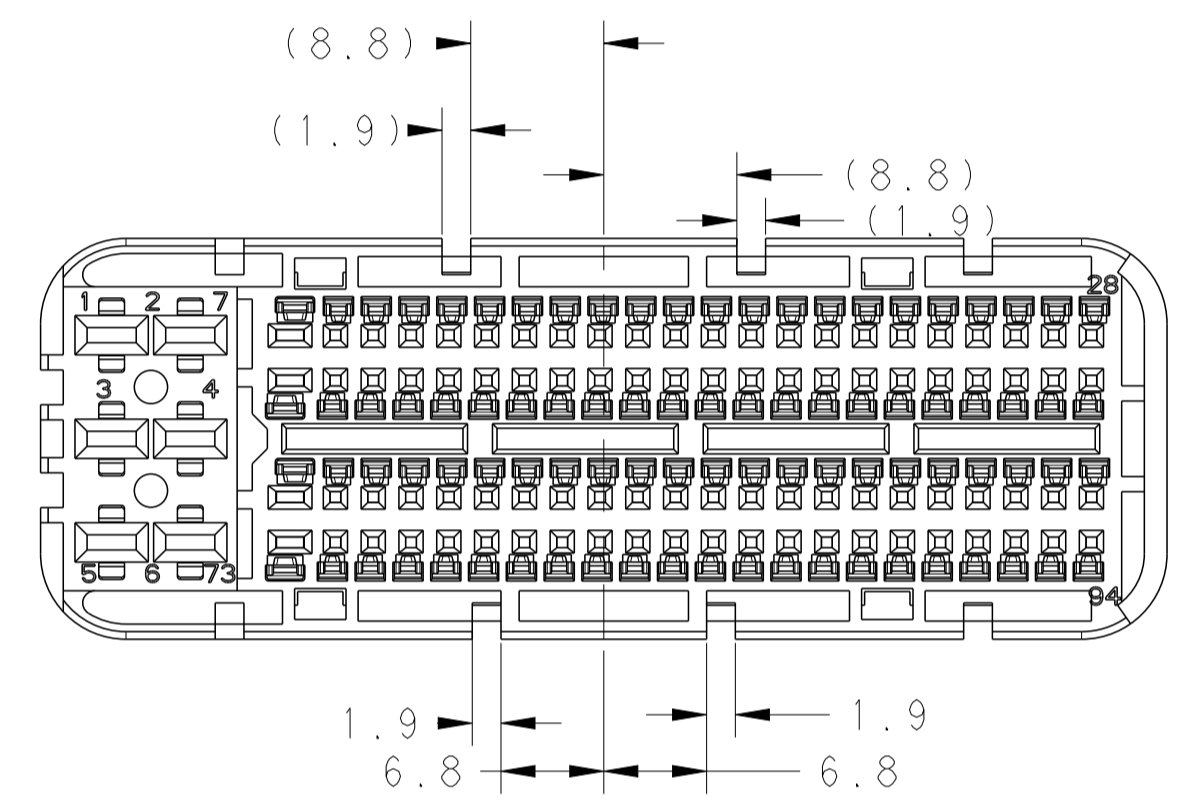


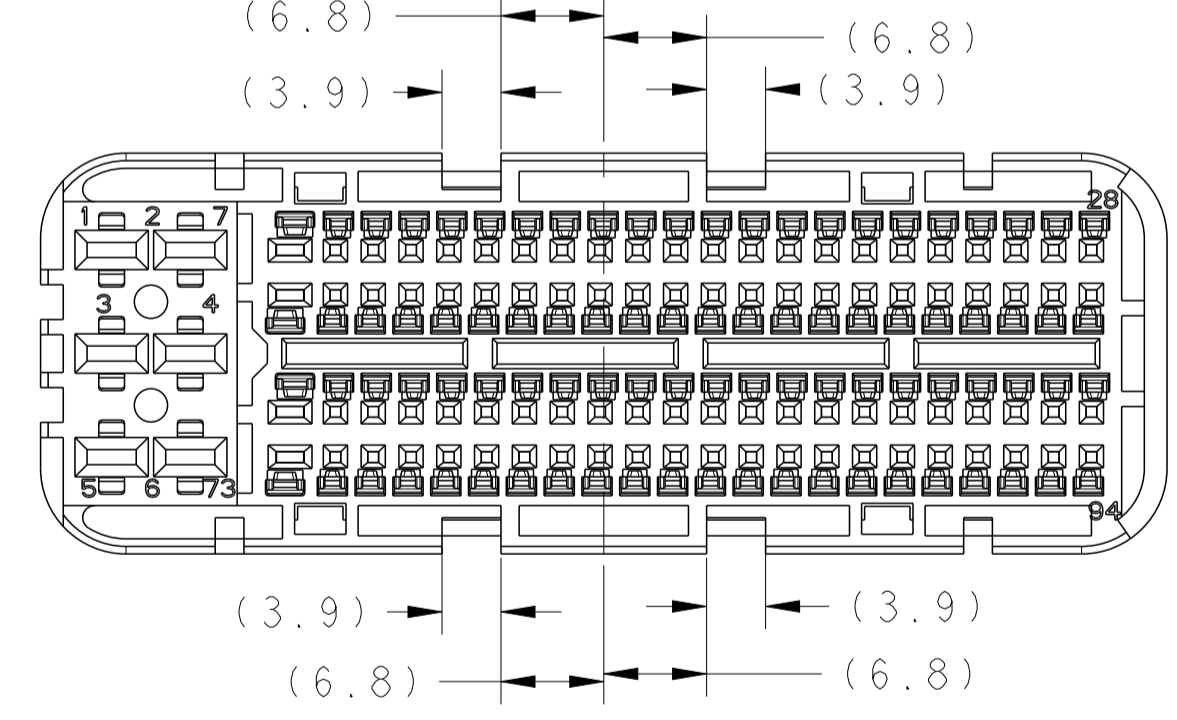
REVISIONS				
P.	LTN	DESCRIPTION	DATE	OWN APVD
B5	ECN-23-238889		15NOV23	D.M C.W
B6	ECR-24-201963		06MAR24	D.M C.W
B7	ECR-24-207847		04MAY24	D.M C.W
B8	ECN-24-270751		18JUN24	GSK J.Z



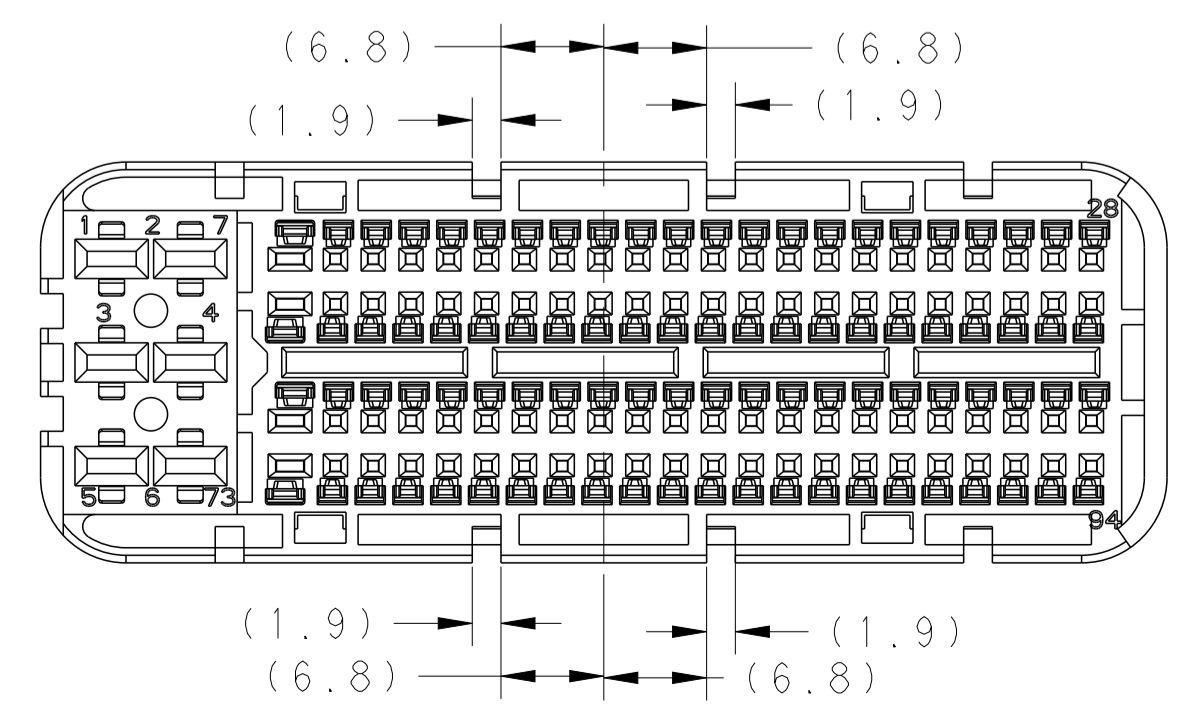
**CODINGS FOR**  
0/1-2209545-1  
2/3-2209545-1



**CODINGS FOR**  
0/1-2209545-9  
2/3/4-2209545-9



**CODINGS FOR**  
0-2209545-3 (SEE PAGE 2)



NOTES: B8

- SUITABLE CONTACTS SEE BELOW DRAWINGS:  
 MQS 0.63mm(CLEAN BODY): 968220, 968221, 1534116, 1703282.  
 SUITABLE WIRE SIZE FROM 0.35mm<sup>2</sup> TO 0.75mm<sup>2</sup>,  
 INSULATION OUTER DIAMETER RANGE FROM 1.2 TO 1.9mm.  
 MQS 1.5mm(CLEAN BODY): 1241608  
 SUITABLE WIRE SIZE FROM 0.75mm<sup>2</sup> TO 1.5mm<sup>2</sup>,  
 SUITABLE WIRE INSULATION OUTER DIAMETER RANGE FROM 1.4 TO 2.4mm.  
 MCP 2.8K: 1241392, 1241394, 1241396.  
 SUITABLE WIRE SIZE FROM 0.5mm<sup>2</sup> TO 2.5mm<sup>2</sup>,  
 INSULATION OUTER DIAMETER RANGE FROM 1.4 TO 3.0mm.
- SEALING PLUG P/N: 1394871-1 (MQS 0.63mm), 1394872-1 (MQS 1.5mm), 828922-1 (MCP 2.8K), 828922-2 (MCP 2.8K)
- SINGLE WIRE SEAL FOR MCP 2.8K CONTACT: 963294-1, 963293-1, 963292-1.
- SUITABLE RETAINER P/N: 6-1355134-1, 6-1355135-1.
- SUITABLE COVER P/N: 2137754-1, 2137755-1, 6-1418652-1, 6-2141282-1, 2300724-1
- 0/2-2209545-1/9 (ICT VERSION) CAN MATING WITH LEVER 2137752-1/6;  
 1/3-2209545-1/9 (LEVER ENHANCED VERSION) CAN MATING WITH LEVER 2305001-1/6;

QTY	QTY	QTY	QTY	MATERIAL	COLOUR	DESCRIPTION	ITEM
1	1	1	1	PBT GF	BLACK	SEALING HOLDER	6
1	1	1	1	SILICONE	LIGHT BLUE	FAMILY SEAL	5
1	1	1	1	PA6 GF	BLACK	SLIDE(CUT)	10
		1	1	PA6 GF	BLACK	SLIDE(CUT)	9
1		1		PBT GF	WATER BLUE	CAVITY BLOCK (GENERAL CODING)	3
	1		1	PBT GF	BLUE	CAVITY BLOCK (CODING G)	3
1	1	1	1	SILICONE	ORANGE	SEALING	2
1	1			PBT/ASA GF	BLACK	CARRIER HOUSING (ENHANCED)	7
		1	1	PBT/ASA GF	BLACK	CARRIER HOUSING (ICT)	1
<b>3-2209545-9</b>	<b>3-2209545-1</b>	<b>2-2209545-9</b>	<b>2-2209545-1</b>	<b>P/N</b>			
<b>B</b>	<b>B</b>	<b>B</b>	<b>B</b>	<b>REV.</b>			
<b>LEVER ENHANCED VERSION</b>		<b>ICT VERSION</b>					

QTY	QTY	QTY	QTY	QTY	MATERIAL	COLOUR	DESCRIPTION	ITEM
1	1	1	1	1	PBT GF	BLACK	SEALING HOLDER	6
1	1	1	1	1	SILICONE	LIGHT BLUE	FAMILY SEAL	5
1	1	1	1	1	PA66 GF	BLACK	SLIDE(CUT)	8
			1	1	PA66 GF	BLACK	SLIDE(CUT)	4
1	1		1	1	PBT GF	WATER BLUE	CAVITY BLOCK (GENERAL CODING)	3
		1		1	PBT GF	BLUE	CAVITY BLOCK (CODING G)	3
1	1	1	1	1	SILICONE	ORANGE	SEALING	2
1					PBT/ASA GF	BLACK	CARRIER HOUSING (ENHANCED)	7
		1	1		PBT/ASA GF	BLACK	CARRIER HOUSING (ENHANCED)	7
				1	PBT/ASA GF	BLACK	CARRIER HOUSING (ICT)	1
<b>4-2209545-9</b>	<b>1-2209545-9</b>	<b>1-2209545-1</b>	<b>0-2209545-9</b>	<b>0-2209545-1</b>	<b>P/N</b>			
<b>A</b>	<b>B</b>	<b>B</b>	<b>B</b>	<b>B</b>	<b>REV.</b>			
<b>LEVER ENHANCED VERSION</b>		<b>ICT VERSION</b>						

THIS DRAWING IS A CONTROLLED DOCUMENT.

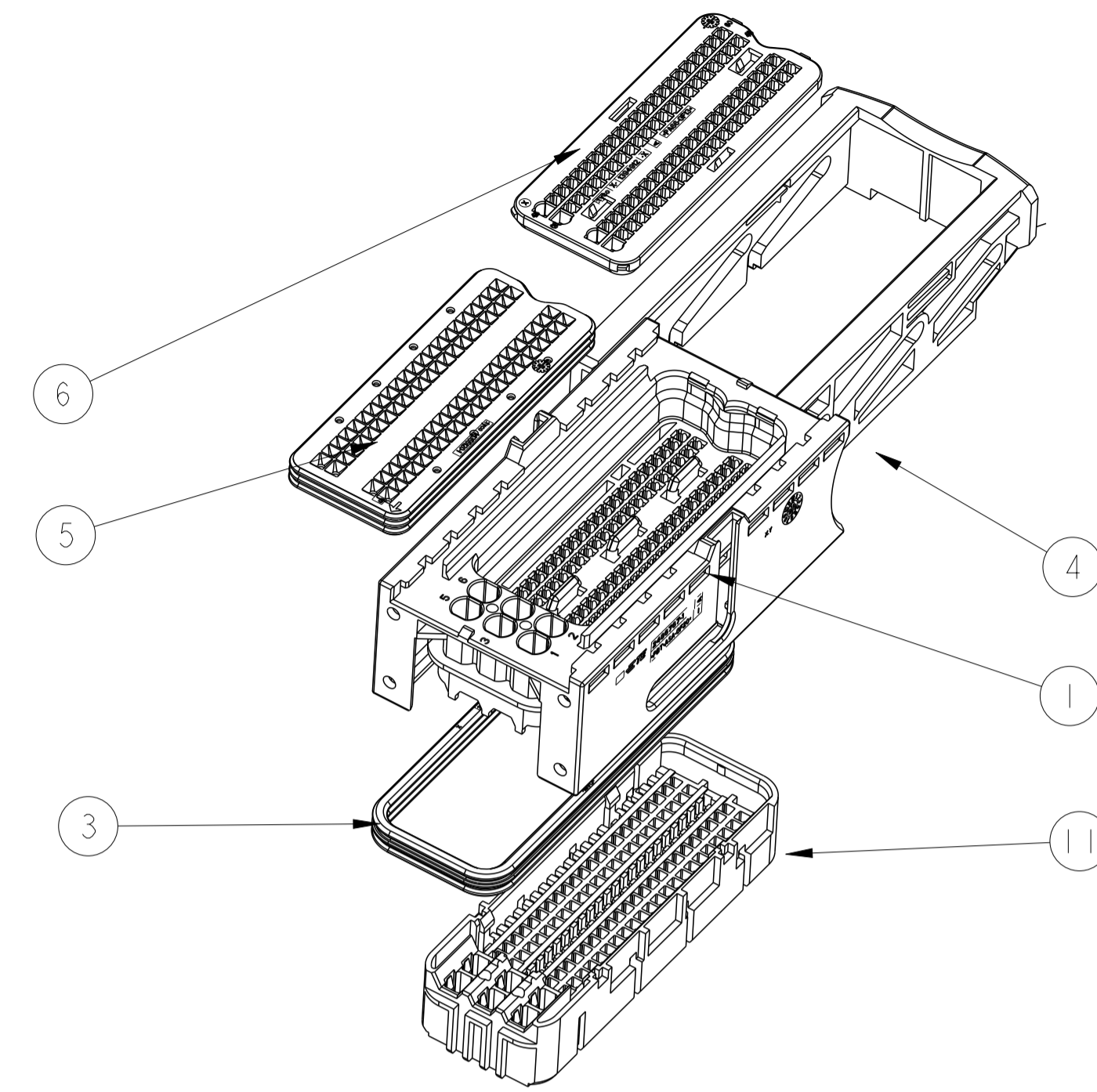
OWN: J.LI 26MAY14  
 CHK: Z.ZHOU 27MAY14  
 APVD: J.YIN 5JUN14

TE Connectivity

NAME: CONNECTOR HOUSING, 94P  
 MQS CB+ MCP2.8K

SIZE: A1  
 CAGE CODE: -  
 DRAWING NO: C=2209545  
 SCALE: 1:1  
 SHEET: 1 OF 2  
 REV: B8

REVISIONS: 1, 2, 3, 4, 5, 6, 7, 8



0--3 AS SHOWN

1	PBT-GF	BLACK	SEALING HOLDER	6
1	SILICONE	LIGHT BLUE	FAMILY SEAL	5
1	PA66-GF	BLACK	SLIDE(CUT)	4
1	PBT-GF	BLACK	CAVITY BLOCK (CODING G)	11
1	SILICONE	ORANGE	SEALING	3
1	PBT+ASA-GF	BLACK	CARRIER HOUSING	1
<b>QTY</b>	<b>MATERIAL</b>	<b>COLOUR</b>	<b>DESCRIPTION</b>	<b>ITEM</b>
<b>0-2209545-3</b>	<b>ASSY P/N</b>			
<b>A</b>	<b>REV.</b>			
<b>GENERAL VERSION</b>				

THIS DRAWING IS A CONTROLLED DOCUMENT

DWP NO  
2209545

THIS INFORMATION IS CONFIDENTIAL AND PROPRIETARY TO TICO ELECTRONICS CORPORATION. IT IS NOT TO BE DISCLOSED TO ANYONE, OTHER THAN THE PERSONNEL, WITHOUT AUTHORIZATION FROM TICO ELECTRONICS CORPORATION.

LOC	-
DIST	-

3308-B 13/111

P LTR		REVISION RECORD	DATE	DWN	APVD	DIMENSIONS: mm 		TOLERANCES UNLESS OTHERWISE SPECIFIED: 0 PLC ±0.1 1 PLC ±0.15 2 PLC ±0.2 3 PLC ±0.013 4 PLC ±0.001		DWN J. YU 03DEC2012 CHK Z. ZHOU 03DEC2012 APVD I. YIN 15JAN2013 NAME CARRIER HSG, 94P ASSY ICT VERSION		MATERIAL	HEAT TREAT
SEE SHEET 1						UNLESS SURFACE TEXTURE 		SCALE 1:1	SIZE A1	DRAWING NO 2209545	SHEET 2 OF 2	REV B8	

