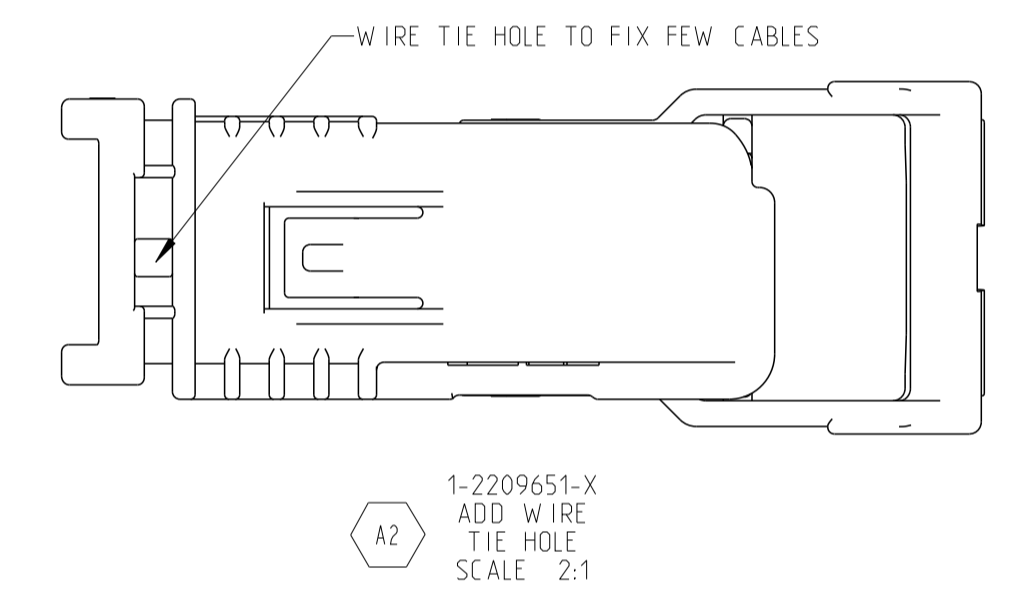
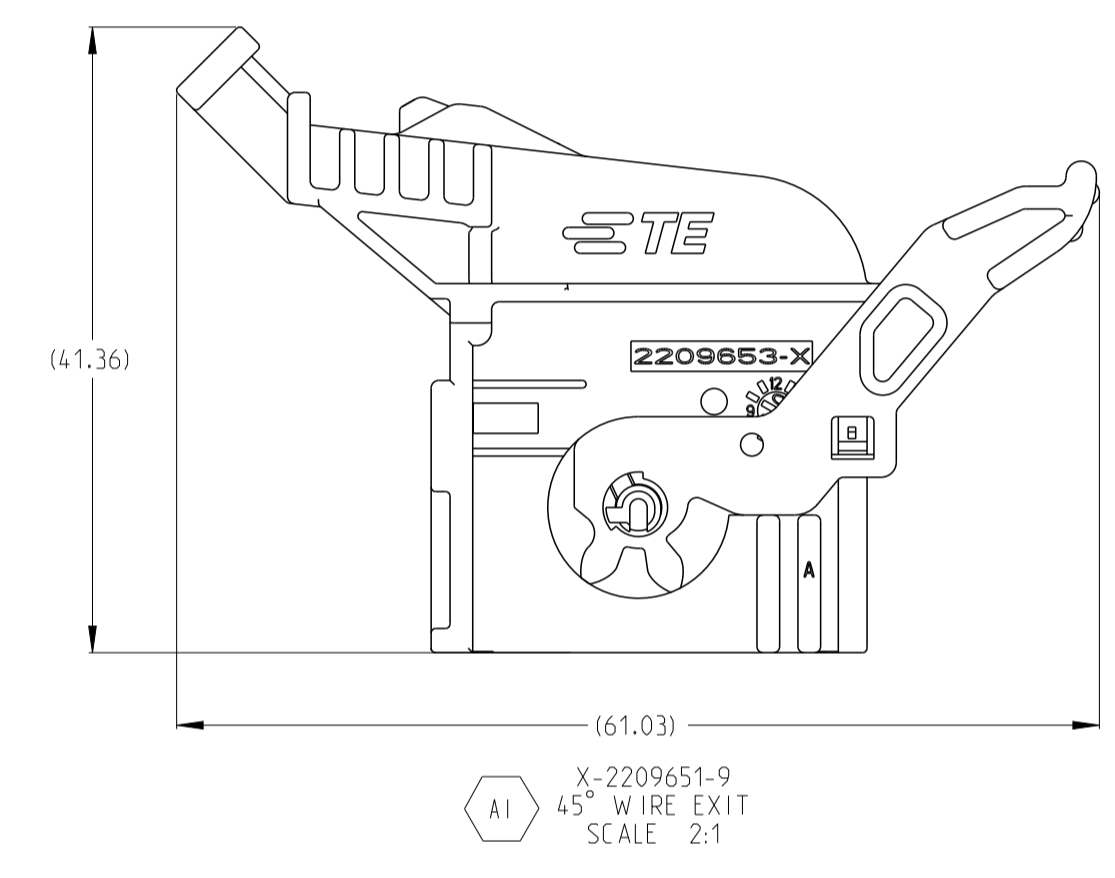
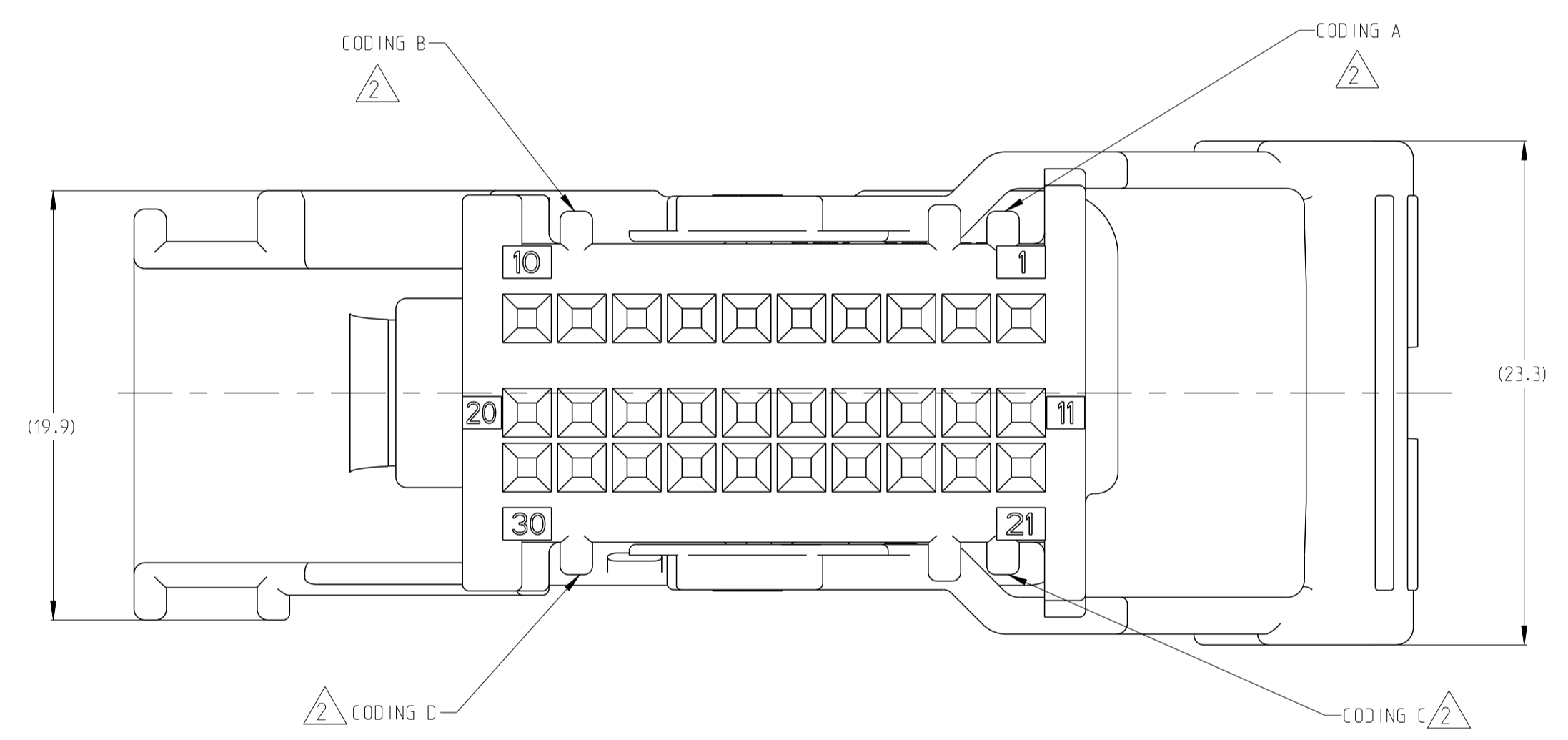
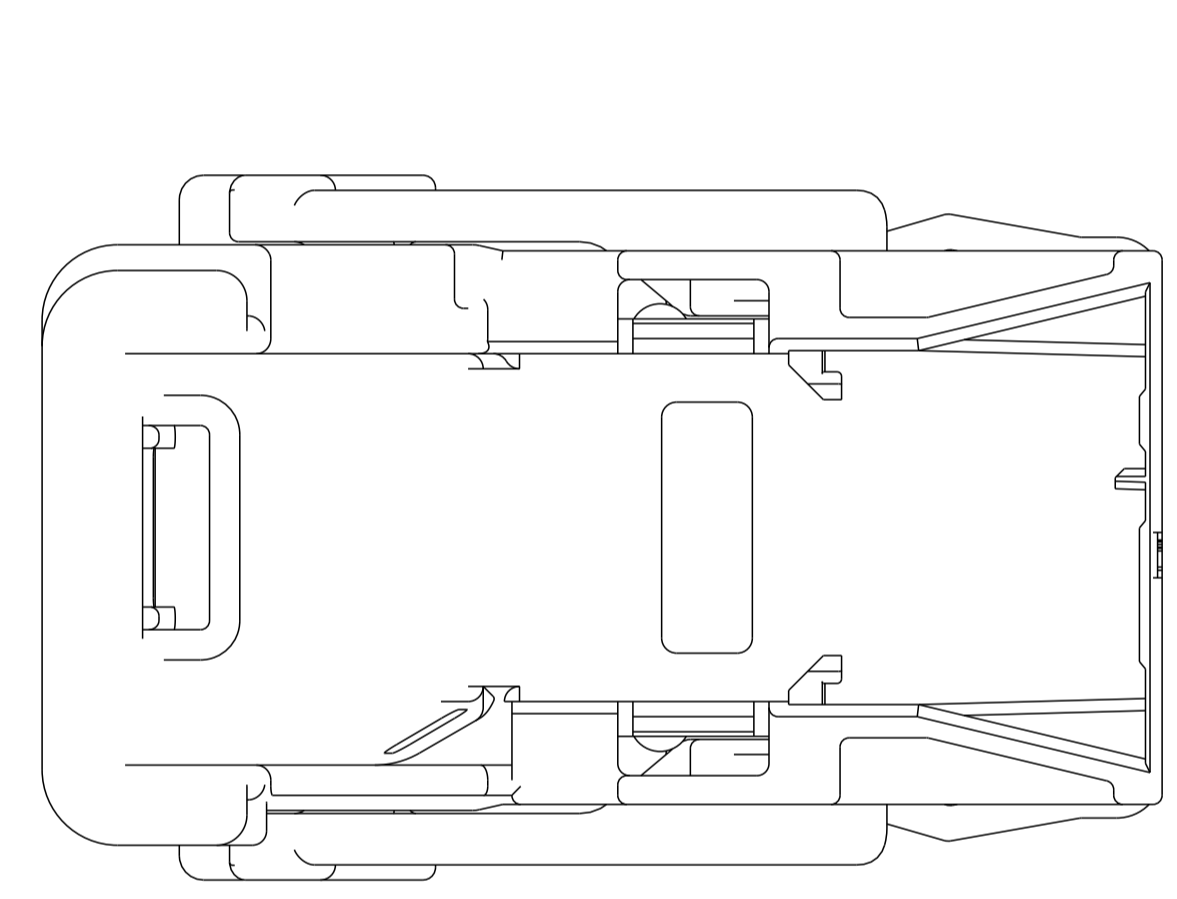
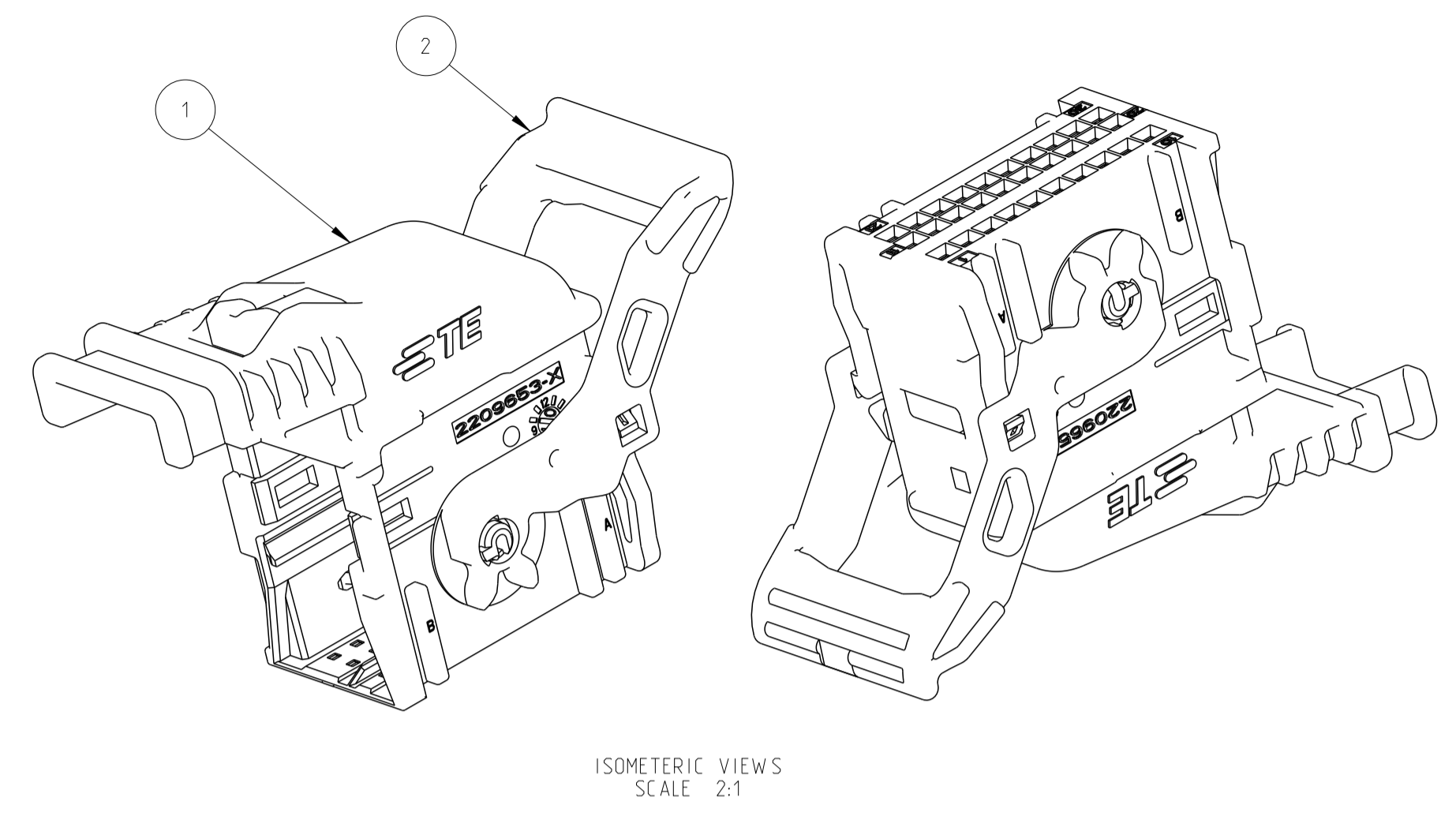
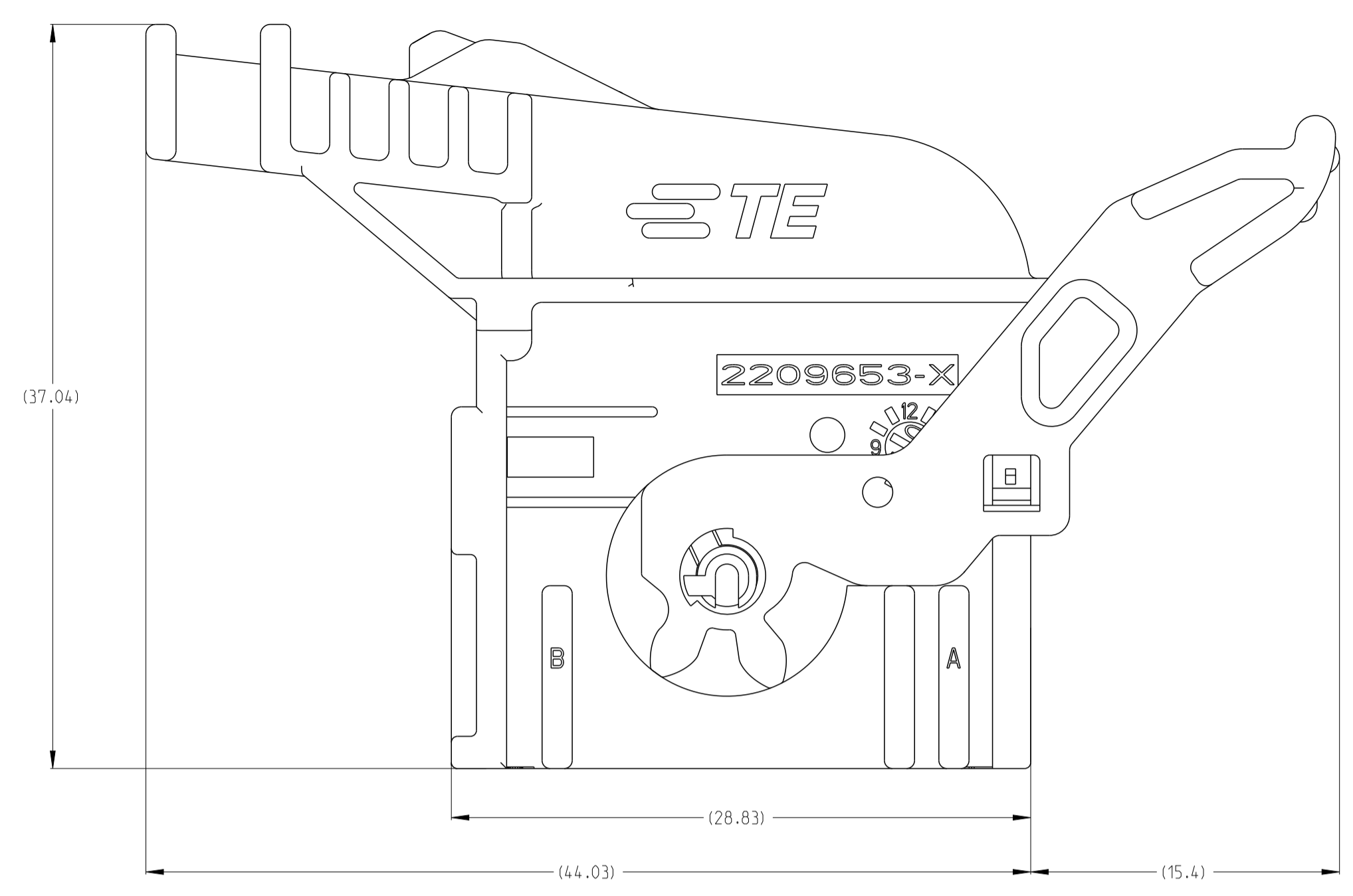
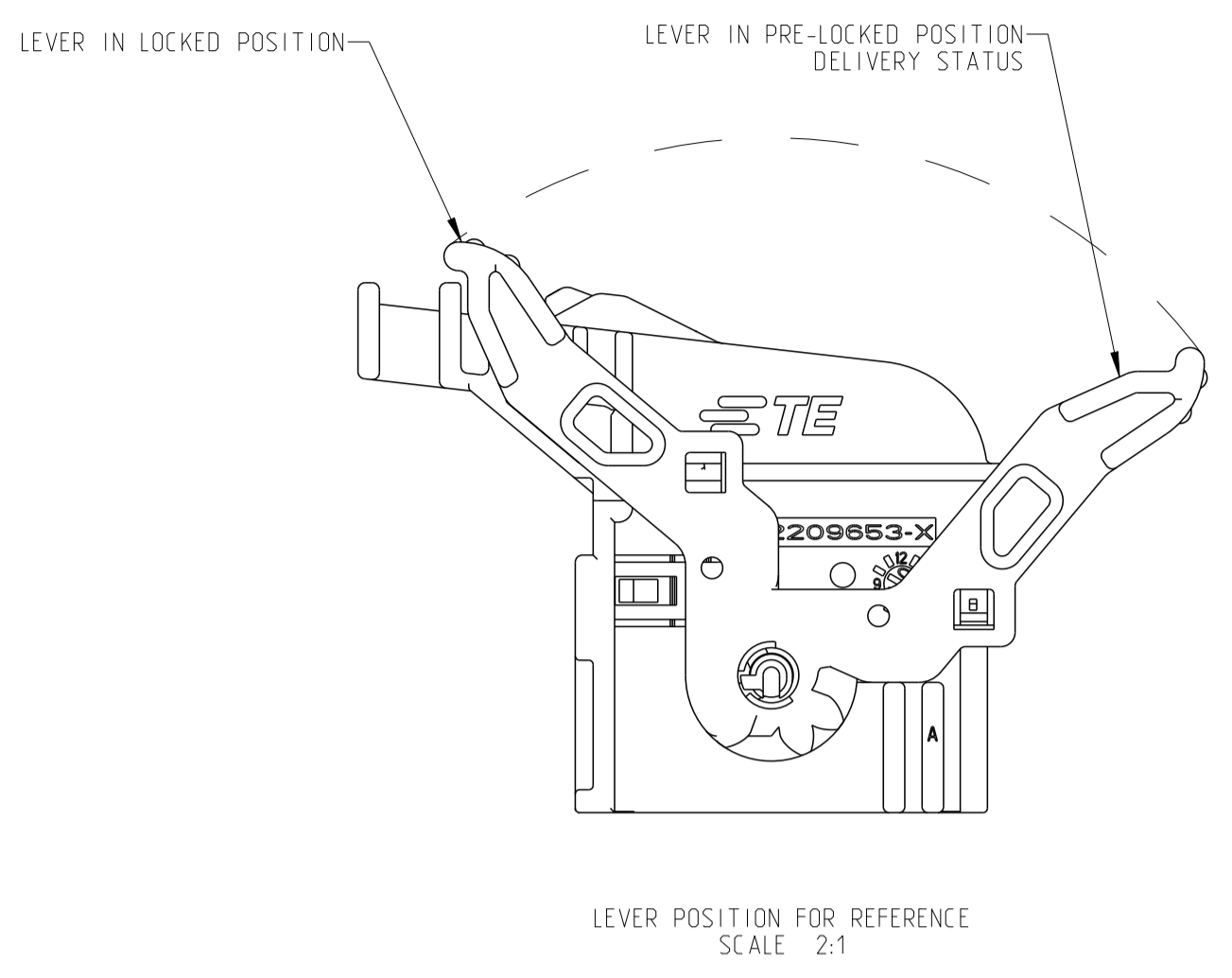
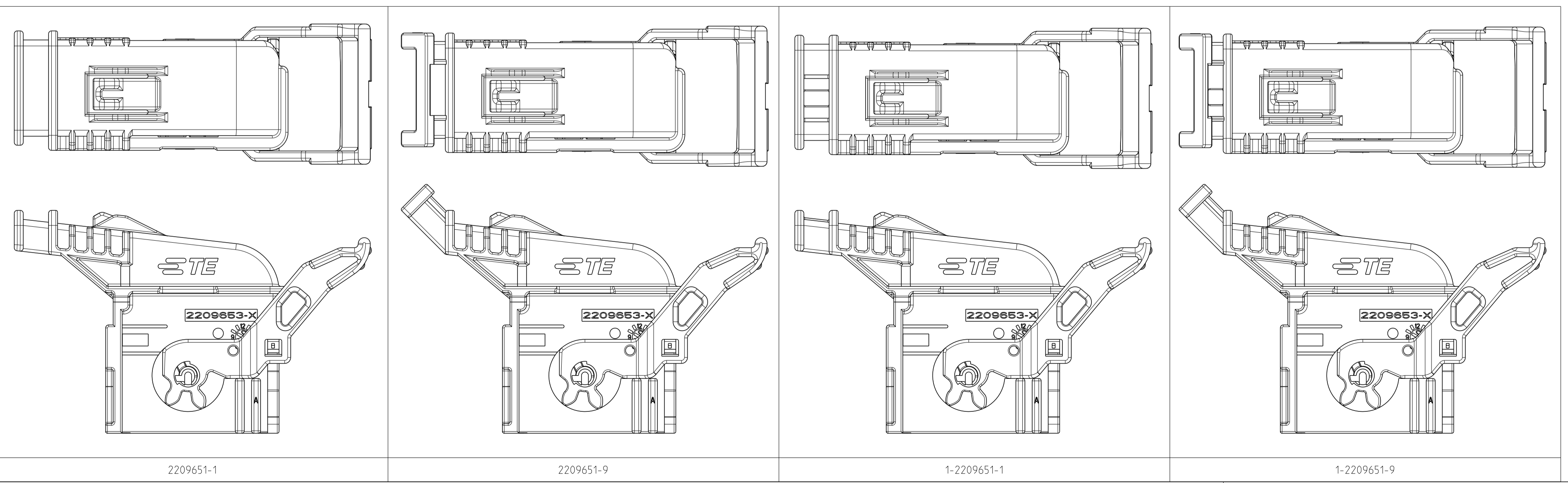


LOC		DIST		REVISIONS			
P	LTN	DESCRIPTION	DATE	DMN	APVD		
A		RELEASED	13MAR2013	C.C.	J.Y.		
A1		ADD 45° WIRE EXIT	12NOV2021	C.C.	J.Z.		
A2		ADD NEW PN ECR-23-179484	25JUN2023	C.C.	J.Z.		



- NOTES:
- 1) WIRE COVER ASSEMBLY ACCEPTS CARRIER PART NUMBER 2098973-1 AND 2098974-1. CARRIER MUST BE ORDERED SEPARATELY AND BE ASSEMBLED TOGETHER BEFORE INSERTING INTO COVER
 - 2) ALL CODINGS SHOWN FOR REFERENCE ONLY. SEE BELOW PART NUMBER TABLE FOR CODING
 - 3) MAXIMUM WIRE LOADING: 27 TERMINALS CRIMPED TO 20 AWG WIRE WITH 1.60mm MAX OD INSULATION AND 3 TERMINALS CRIMPED TO 18 AWG WIRE WITH 1.90mm MAX OD INSULATION
 - 4) REFER TO INSTRUCTION SHEET 408-8662 FOR PRODUCT ASSEMBLY AND DISASSEMBLY PROCEDURES
 - 5) 2209651-1/2 ARE AS LEFT VIEWS SHOWN. 2209651-9 IS 45° WIRE EXIT
 - 6) VIEWS OF DIFFERENT PART NUMBER SEE LEFT PART NUMBER VIEWS TABLE

PART NUMBER VIEWS
SCALE 2:1



CODE	PART NO	CODINGS	WIRE EXIT	QTY	DESCRIPTION	MATERIAL	COLOR	ITEM
A2	1-2209651-9	AD	45° WITH HOLE	1	LEVER	PA66-GF35	GRAY	2
				1	COVER		YELLOW	1
A2	1-2209651-1	AD	90° WITH HOLE	1	LEVER		GRAY	2
				1	COVER		YELLOW	1
A1	2209651-9	AD	45°	1	LEVER		GRAY	2
				1	COVER		YELLOW	1
	2209651-2	BC	90°	1	LEVER		GRAY	2
	2209651-1	AD	90°	1	COVER		YELLOW	1
1				LEVER	GRAY	2		
				1	COVER	YELLOW	1	

THIS DRAWING IS A CONTROLLED DOCUMENT.

OWN: C. Chen 13MAR2013
 CHK: A. Dang 13MAR2013
 APVD: J. Yin 13MAR2013

TE Connectivity

NAME: WIRE COVER ASSEMBLY
 30 POSN, 0.64mm PLUG

PRODUCT SPEC: 108-101434
 APPLICATION SPEC: -

SIZE: A1 CAGE CODE: 00779 DRAWING NO: C=2209651
 RESTRICTED TO: -

WEIGHT: -
 CUSTOMER DRAWING: -

SCALE: 4:1 SHEET: 1 OF 1 REV: A2