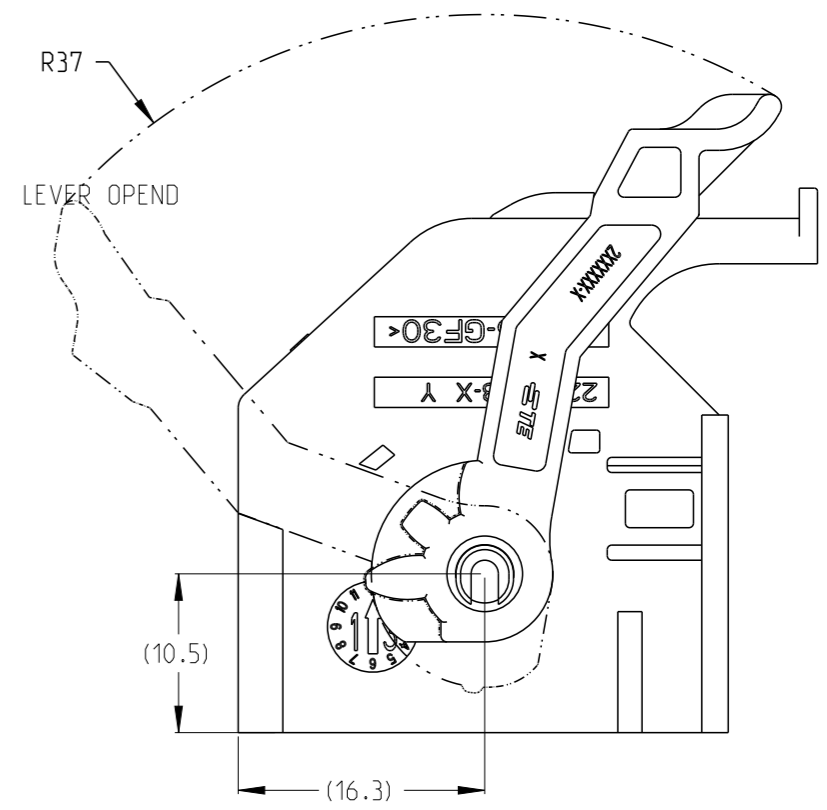
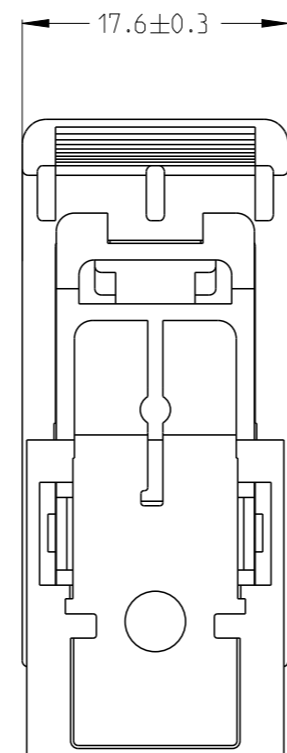
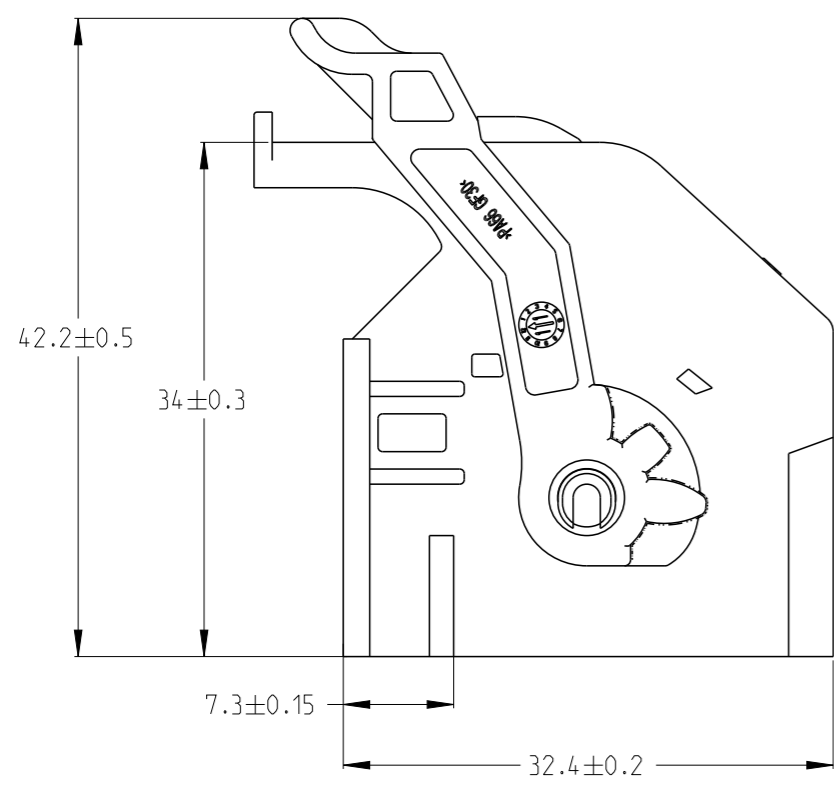
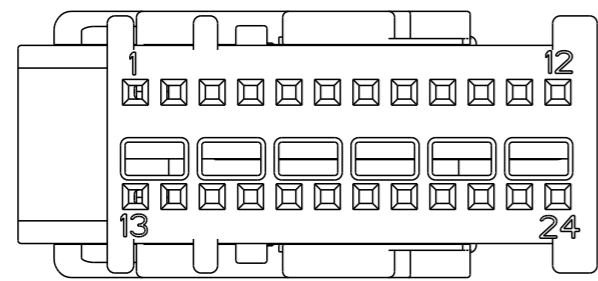


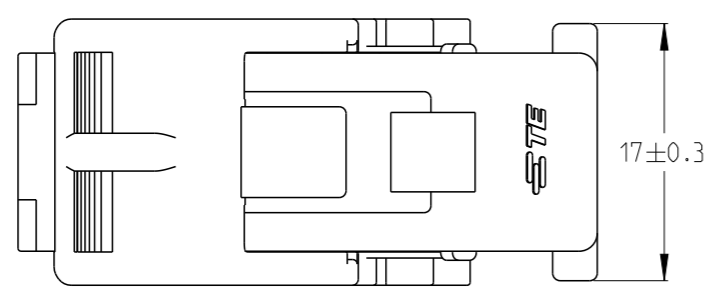
THIS DRAWING IS UNPUBLISHED. RELEASED FOR PUBLICATION 2013
 © COPYRIGHT 2013 BY TE CONNECTIVITY ALL RIGHTS RESERVED.

REVISIONS					
P	LTR	DESCRIPTION	DATE	DWN	APVD
	A	RELEASED	23OCT2013	W.Z	I.Y
	B	REVISED (ECO-14-007026)	09MAR2015	W.Z	I.Y
	B1	ECR-19-009441	17JUN2019	J.L	I.Y

2209954-1 AS SHOWN



NOTES:
 1. THE PRODUCT IS SUPPLIED WITH LEVER IN CLOSED POSITION.



THIS DRAWING IS A CONTROLLED DOCUMENT.		DWN	24SEP2013	 PRELIMINARY TE Connectivity
		CHK	22OCT2013	
		APVD	23OCT2013	
		NAME	LIYIN	
DIMENSIONS: mm		TOLERANCES UNLESS OTHERWISE SPECIFIED:		PRODUCT SPEC
		0 PLC	±	-
		1 PLC	±	-
MATERIAL SEE TABLE		2 PLC	±	APPLICATION SPEC
		3 PLC	±	-
		4 PLC	±	WEIGHT
		ANGLES	±	-
FINISH SEE TABLE		FINISH		SIZE
				A3
				CAGE CODE
				00779
				DRAWING NO
				C-2209954
				RESTRICTED TO
				-
				SCALE
				1:1
				SHEET
				1 OF 2
				REV
				B1

THIS DRAWING IS UNPUBLISHED.

RELEASED FOR PUBLICATION

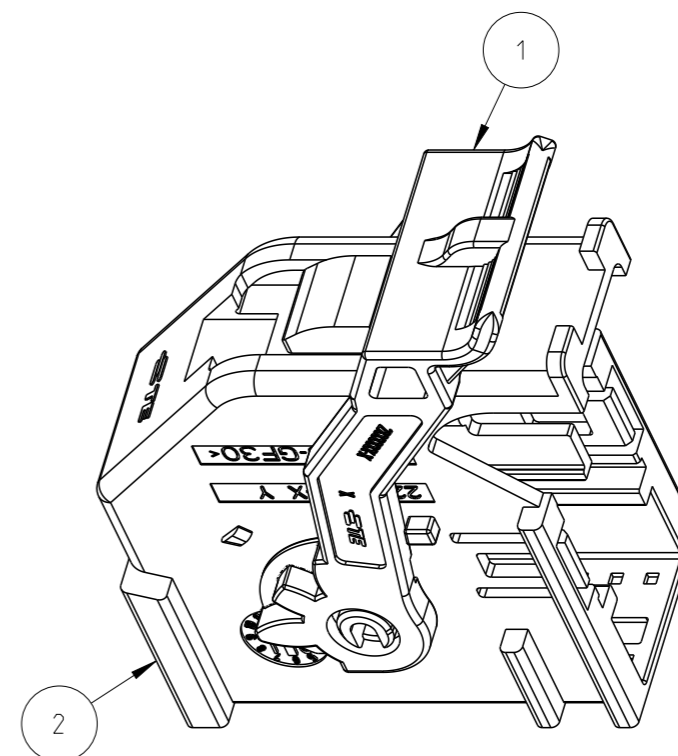
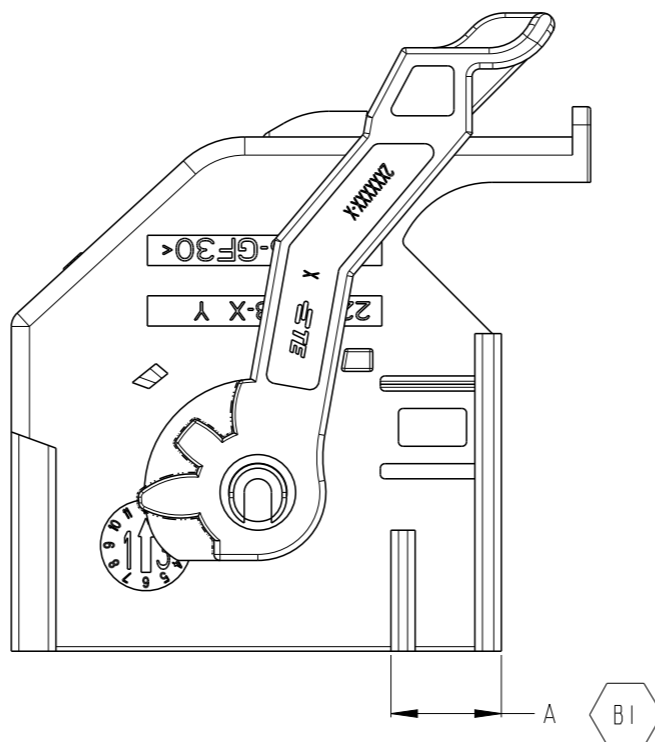
2013

© COPYRIGHT 2013 BY TE CONNECTIVITY

ALL RIGHTS RESERVED.

REVISIONS

P	LTR	DESCRIPTION	DATE	DWN	APVD
-		SEE SHEET 1	-	-	-



COVER ASSY PART NO.	ITEM NO.	PART NO.	MATERIAL	DESCRIPTION	QUANTITY REQUIRED FOR ASSEMBLY	MATING RECEPTACLE PART NO.	CODING	DIM "A"																																						
2209954-4	2	2209953-4	PA66-GF30, BLUE	COVER	1	284224-6; 2357668-6	D	6.1																																						
	1	2209952-1	PA66-GF30, GREEN	LEVER	1				2209954-3	2	2209953-3	PA66-GF30, BROWN	COVER	1	284224-5; 2357668-5	C	8.7	1	2209952-1	PA66-GF30, GREEN	LEVER	1	2209954-2	2	2209953-2	PA66-GF30, GRAY	COVER	1	284224-1; 2357668-1	B	5.0	1	2209952-1	PA66-GF30, GREEN	LEVER	1	2209954-1	2	2209953-1	PA66-GF30, BLACK	COVER	1	284224-2; 2357668-2	A	7.3	1
2209954-3	2	2209953-3	PA66-GF30, BROWN	COVER	1	284224-5; 2357668-5	C	8.7																																						
	1	2209952-1	PA66-GF30, GREEN	LEVER	1				2209954-2	2	2209953-2	PA66-GF30, GRAY	COVER	1	284224-1; 2357668-1	B	5.0	1	2209952-1	PA66-GF30, GREEN	LEVER	1	2209954-1	2	2209953-1	PA66-GF30, BLACK	COVER	1	284224-2; 2357668-2	A	7.3	1	2209952-1	PA66-GF30, GREEN	LEVER	1										
2209954-2	2	2209953-2	PA66-GF30, GRAY	COVER	1	284224-1; 2357668-1	B	5.0																																						
	1	2209952-1	PA66-GF30, GREEN	LEVER	1				2209954-1	2	2209953-1	PA66-GF30, BLACK	COVER	1	284224-2; 2357668-2	A	7.3	1	2209952-1	PA66-GF30, GREEN	LEVER	1																								
2209954-1	2	2209953-1	PA66-GF30, BLACK	COVER	1	284224-2; 2357668-2	A	7.3																																						
	1	2209952-1	PA66-GF30, GREEN	LEVER	1																																									

PART LIST

THIS DRAWING IS A CONTROLLED DOCUMENT.

DWN W.ZHU 24SEP2013

CHK E.JIANG 22OCT2013

APVD J.YIN 23OCT2013

PRODUCT SPEC

APPLICATION SPEC

WEIGHT -

Customer Drawing



NAME 24P AIRBAG COVER ASSY

SIZE A3 CAGE CODE 00779 DRAWING NO. C-2209954

SCALE 1:1 SHEET 2 OF 2 REV B1

DIMENSIONS: mm



TOLERANCES UNLESS OTHERWISE SPECIFIED:

- 0 PLC ±
- 1 PLC ±
- 2 PLC ±
- 3 PLC ±
- 4 PLC ±
- ANGLES ±

MATERIAL SEE TABLE

FINISH SEE TABLE