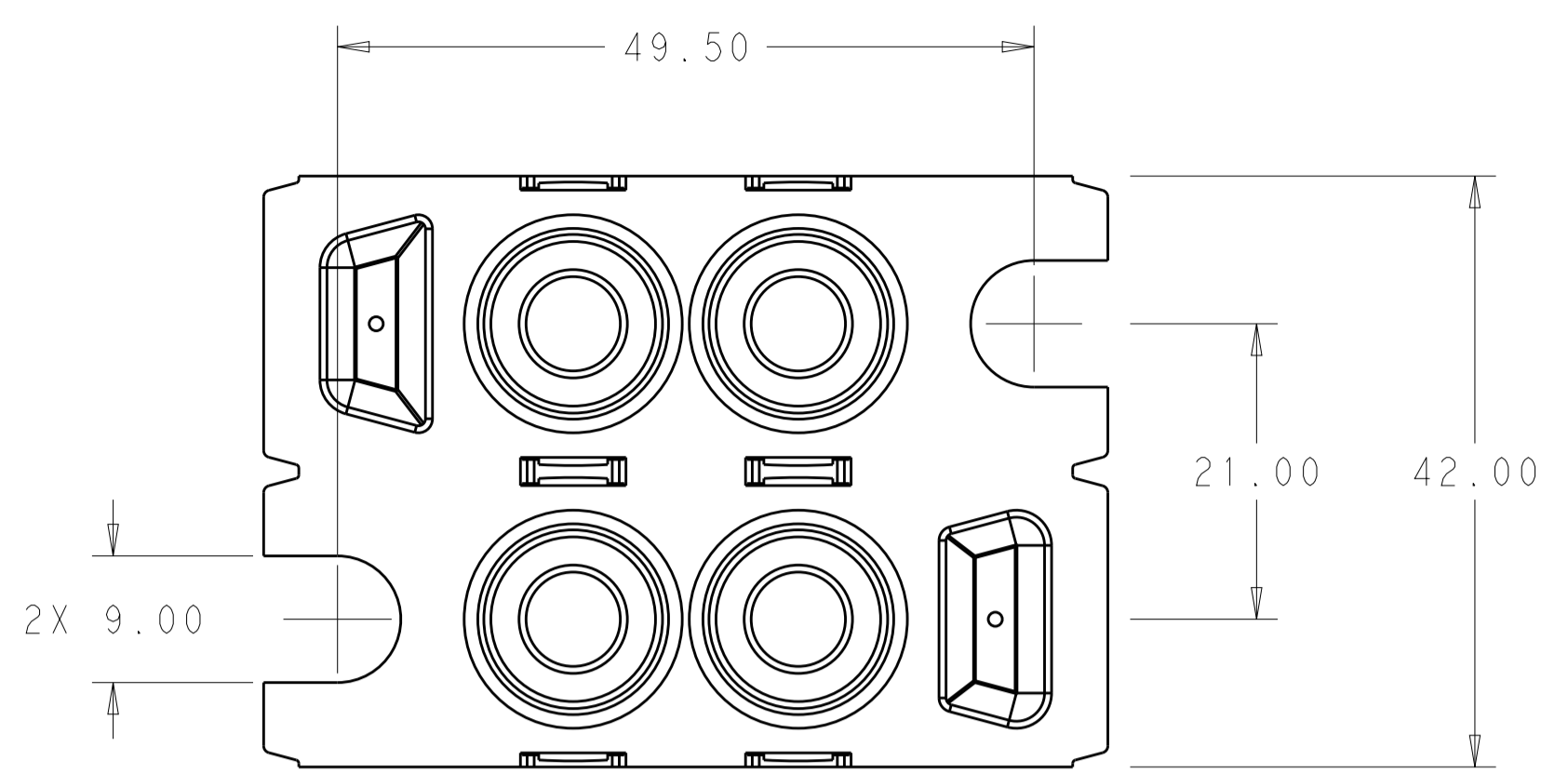
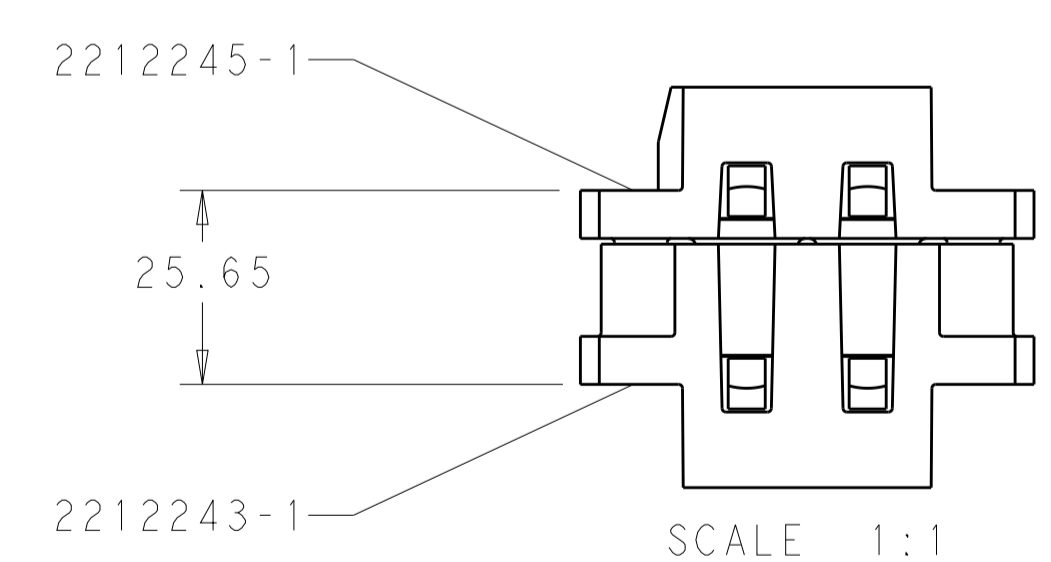
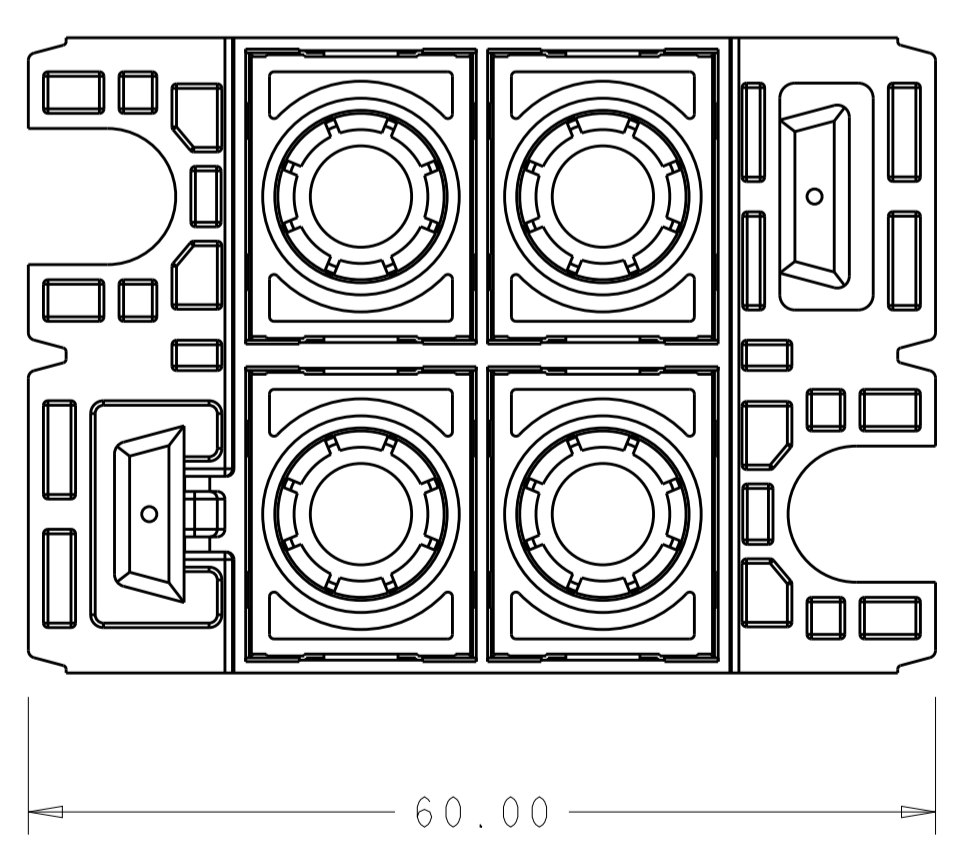
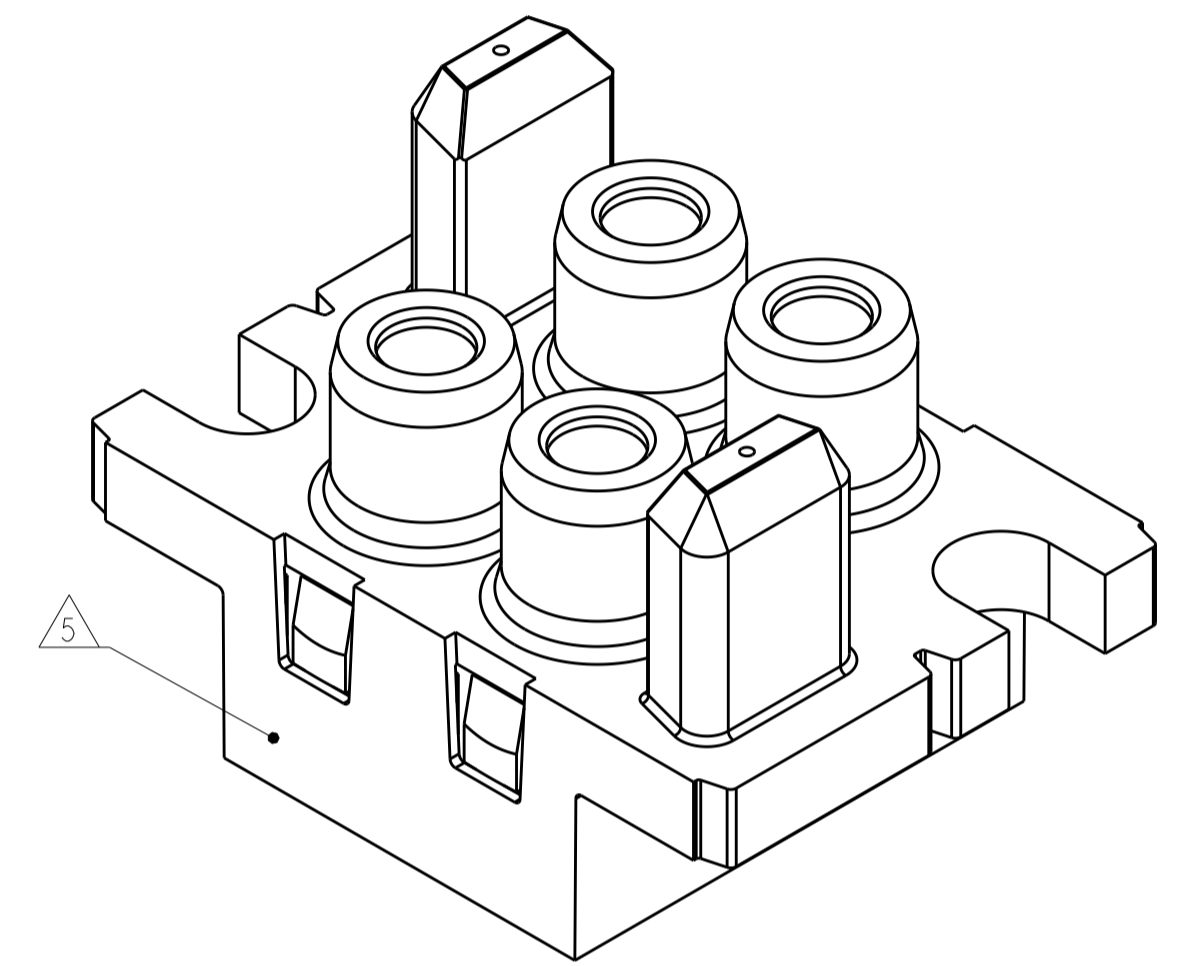
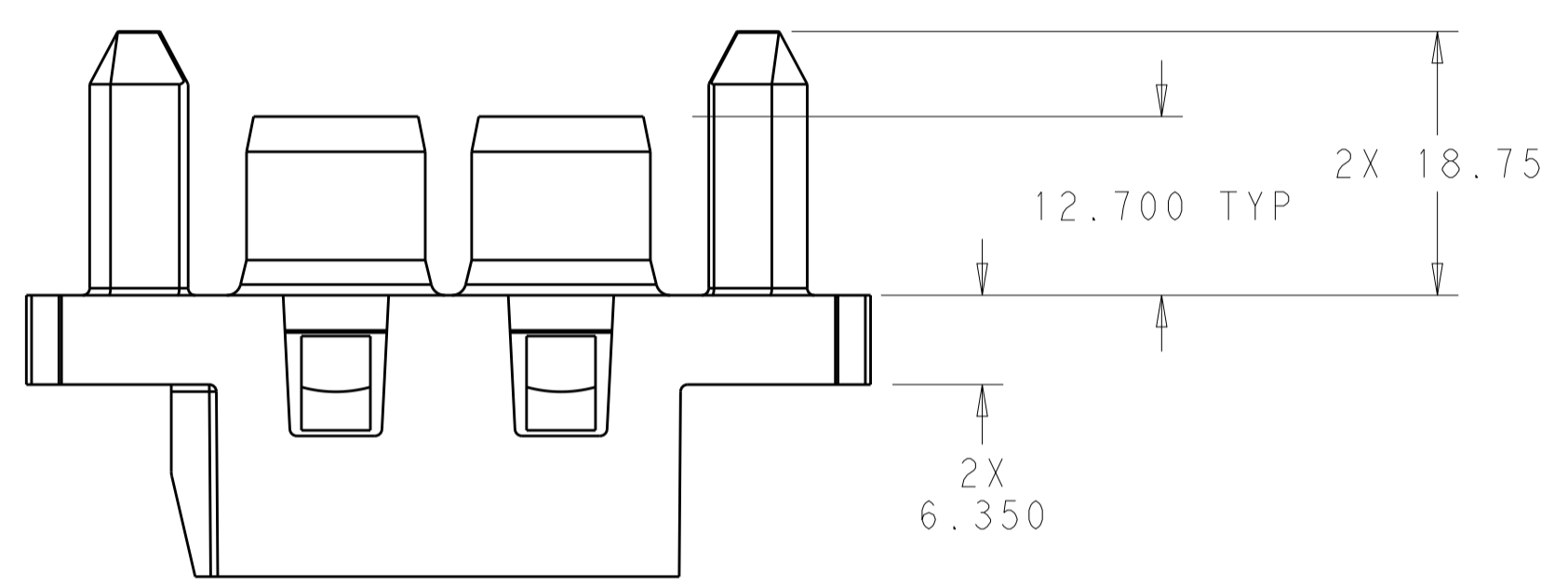
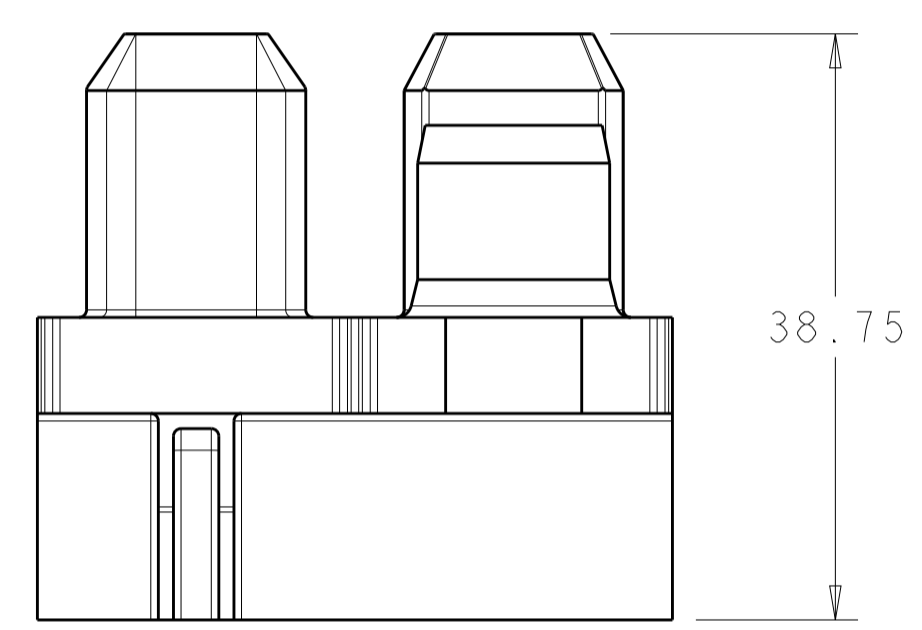


LOC		DIST		REVISIONS			
P	LTH	DESCRIPTION	DATE	DWN	APVD		
2		STANDARDIZE DWG	03FEB2015	RT	EW		



- △ HOUSING: THERMOPLASTIC, COLOR BLACK, FLAMMABILITY RATING UL 94 V-0.
- △ THIS ASSEMBLY TO MATE WITH TEC PART NUMBER 2212243-1.
- 3. RECOMMENDED SHOULDER SCREW:  
2212056, FLOAT MOUNT  
2212055, FIXED MOUNT
- △ RECOMMENDED PANEL CUTOUT FOR FRONT PANEL MOUNT APPLICATION.  
RECOMMENDED PANEL THICKNESS 1.5 TO 1.78.
- △ DATE CODE AND PART NUMBER IN APPROXIMATE AREA SHOWN.



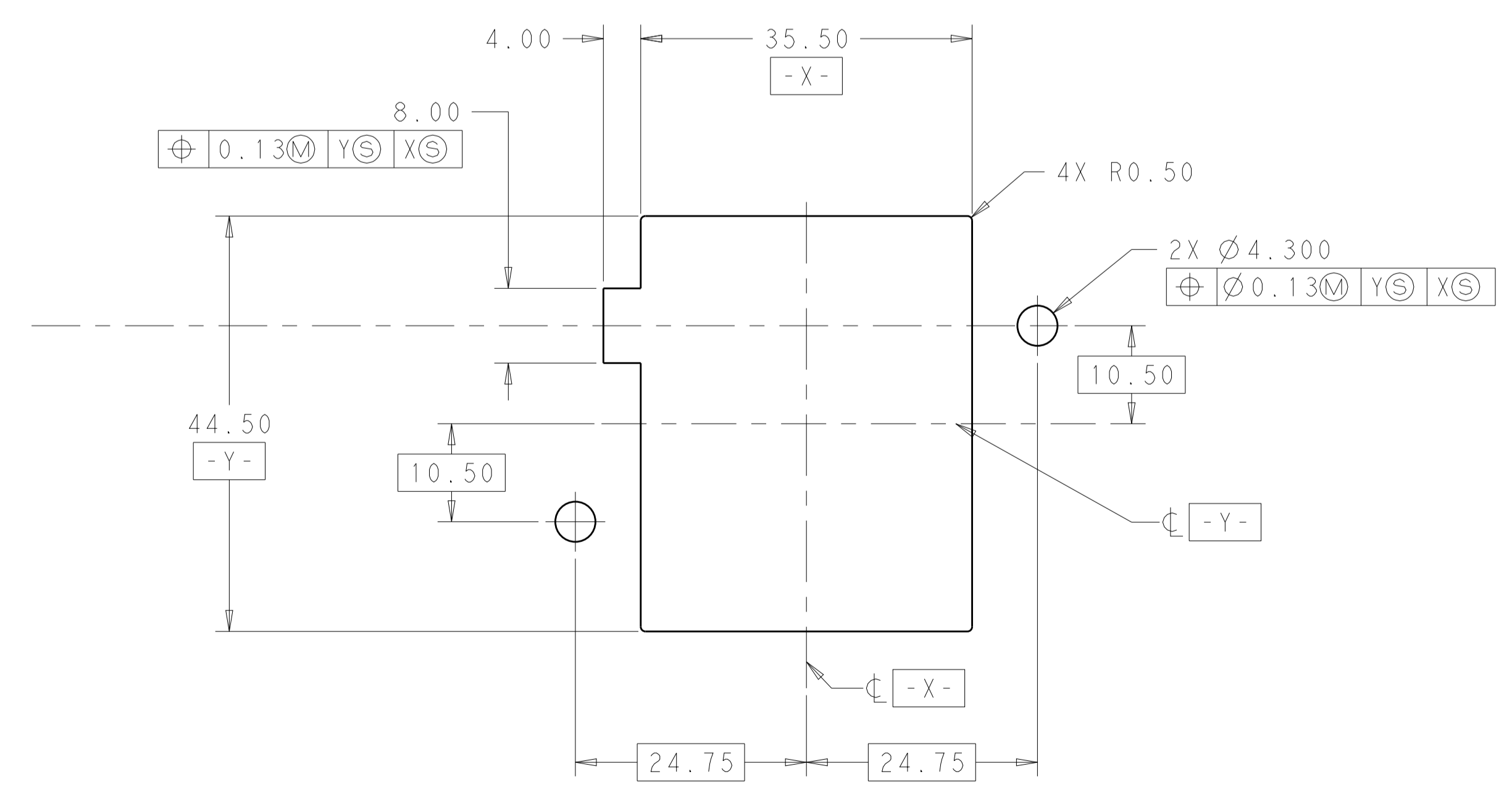
SCALE 1:1  
 FULLY MATED ASSEMBLIES △

CONNECTOR, SOCKET, FORGE 0x#0,4x#4,0x#8,0x#12,0x#22,	2212245-1
DESCRIPTION	PART NO.

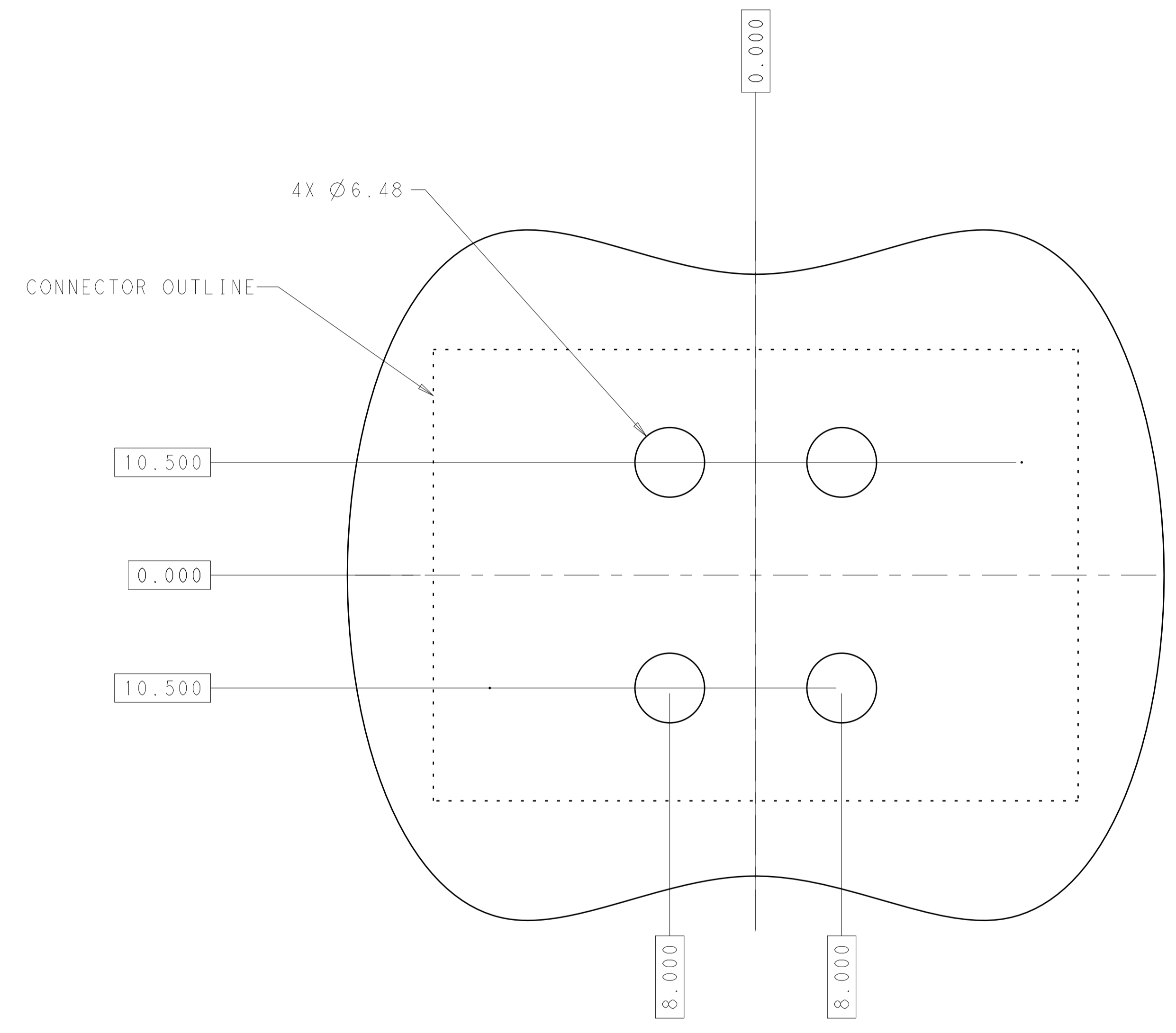
THIS PRINT IS  
**PRELIMINARY**  
 UNQUALIFIED PRODUCT  
 CONTACT PRODUCT ENGINEERING  
 BEFORE USING THIS PRINT

THIS DRAWING IS A CONTROLLED DOCUMENT.		DWN: R. IRENA 22JAN2015	TE Connectivity
DIMENSIONS: mm		CHK: E. WICKES 22JAN2015	
TOLERANCES UNLESS OTHERWISE SPECIFIED:		APVD: S. STRICKLER 22JAN2015	
0 PLC ±N/A 1 PLC ±N/A 2 PLC ±0.25 3 PLC ±0.13 4 PLC ±N/A ANGLES ±N/A		NAME: S. STRICKLER	
MATERIAL: △		PRODUCT SPEC: 108-2323	SIZE: A1
		APPLICATION SPEC: 114-13299	CAGE CODE: 00779
		FINISH: △	DRAWING NO: 2212245
		WEIGHT: -	RESTRICTED TO: -
		Customer Drawing	SCALE: 2:1 SHEET 1 OF 2 REV 2

REVISONS		DATE	DMN	APVD
1	SEE SHEET 1	-	-	-



RECOMMENDED PANEL CUTOUT  
 SCALE 2:1



PCB LAYOUT  
 SCALE 3:1

THIS DRAWING IS A CONTROLLED DOCUMENT.		DMN R. IREDA 22JAN2015	TE Connectivity	
DIMENSIONS:		CHK E. WICKES 22JAN2015		
TOLERANCES UNLESS OTHERWISE SPECIFIED:		APVD S. STRICKLER 22JAN2015	NAME CONNECTOR, SOCKET, FORGE 0x#0, 4x#4, 0x#8, 0x#12, 0x#22 CONFIGURATION	
mm	0 PLC ±N/A 1 PLC ±N/A 2 PLC ±0.25 3 PLC ±0.13 4 PLC ±N/A	PRODUCT SPEC 108-2323	SIZE A100779	
MATERIAL		APPLICATION SPEC 114-13299	DRAWING NO C=2212245	
FINISH		WEIGHT	RESTRICTED TO	
		Customer Drawing	SCALE 2:1 SHEET 2 OF 2 REV 2	