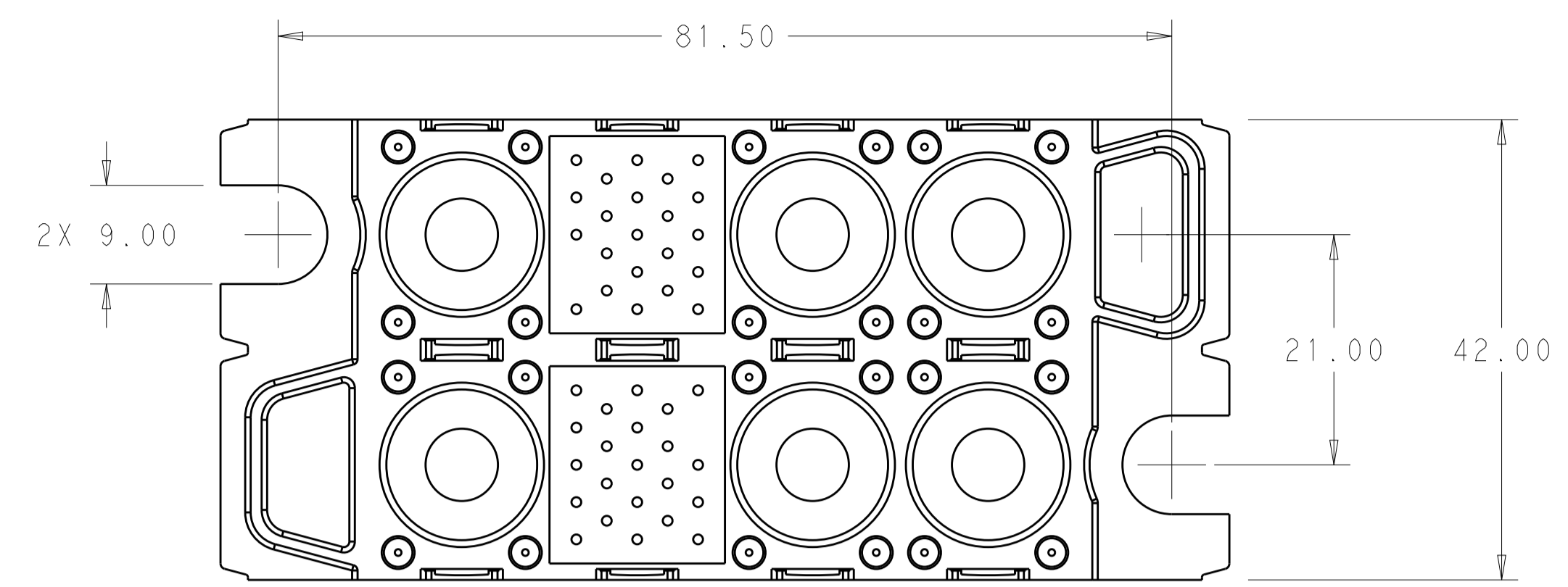
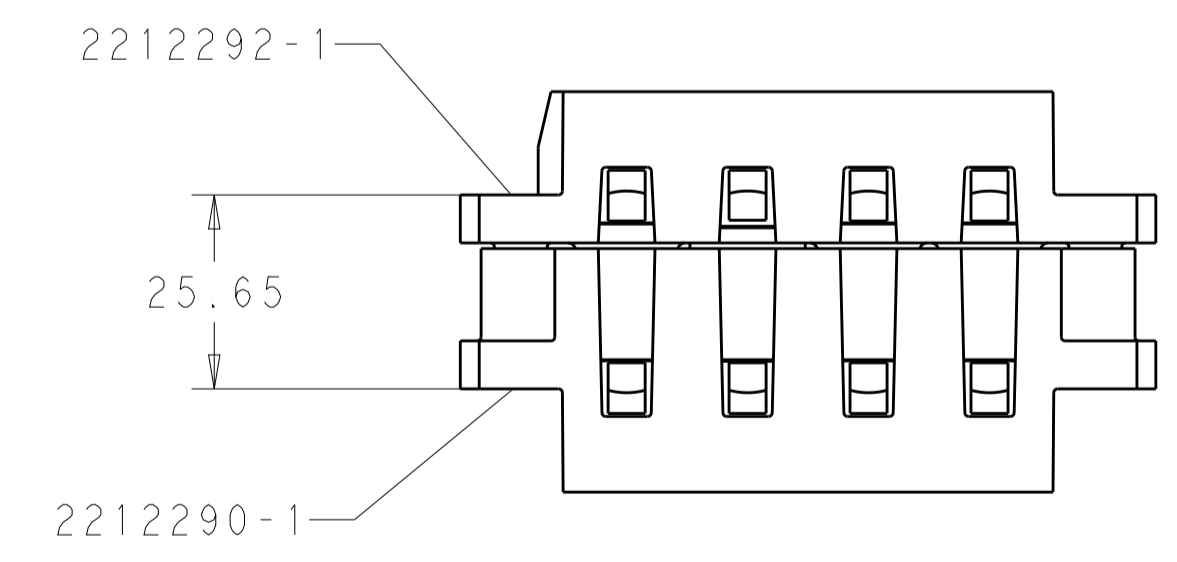
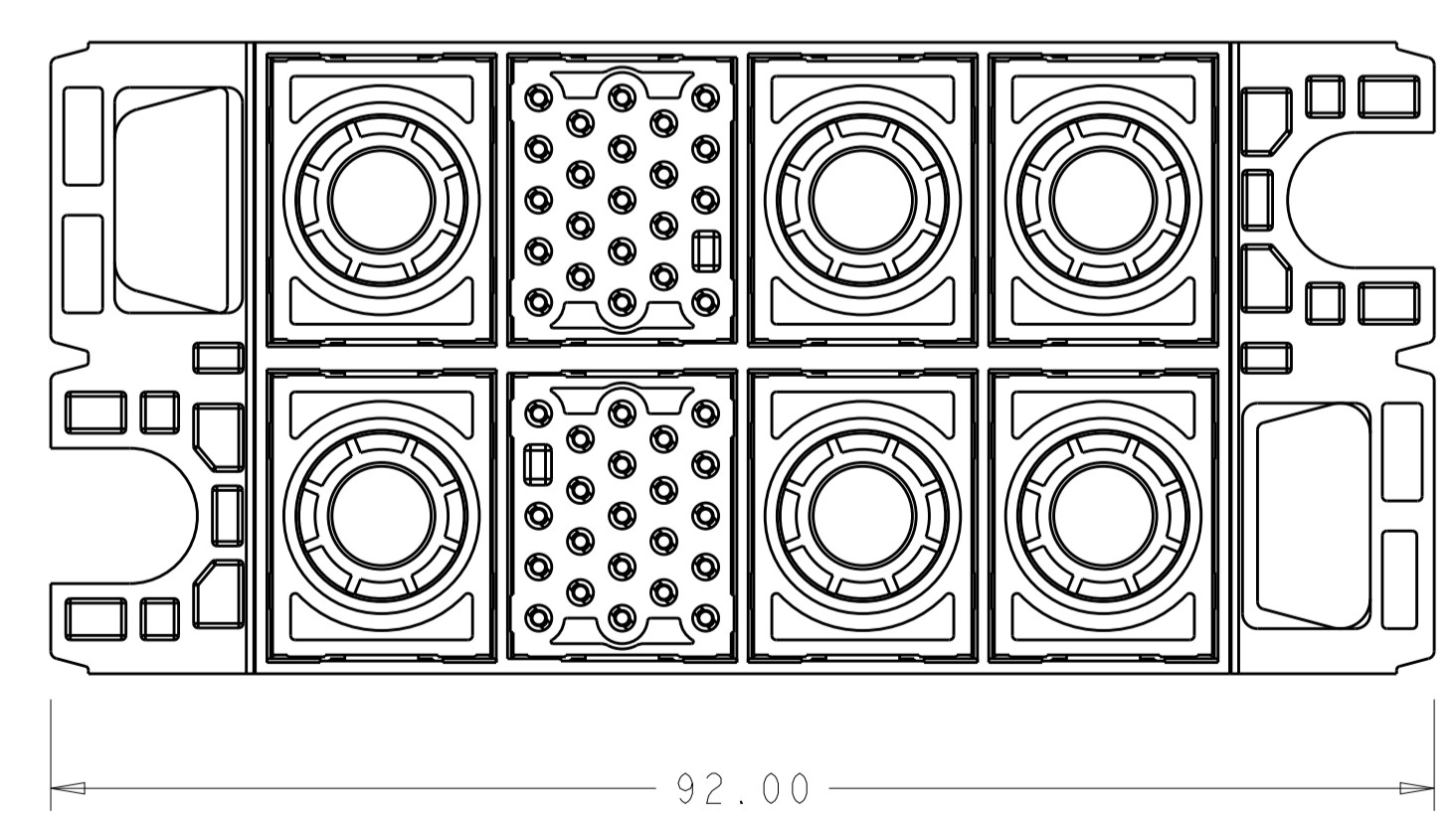
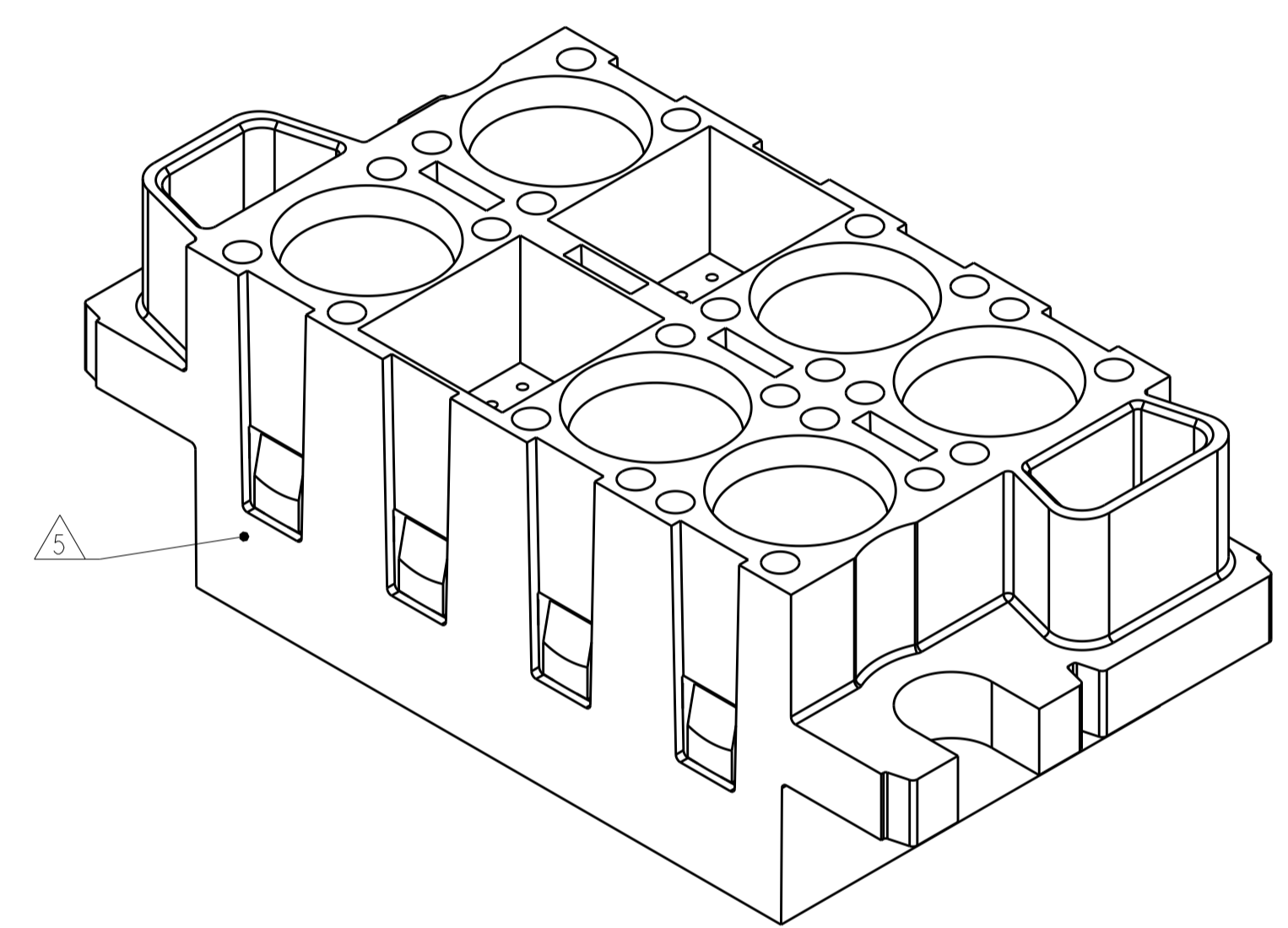
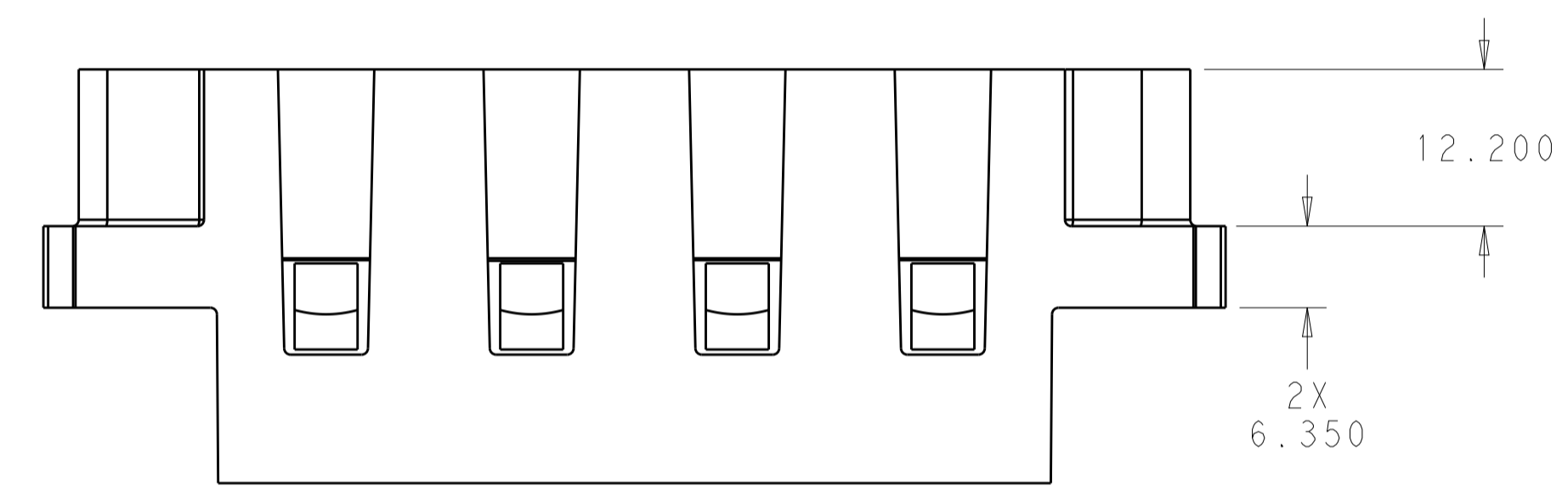
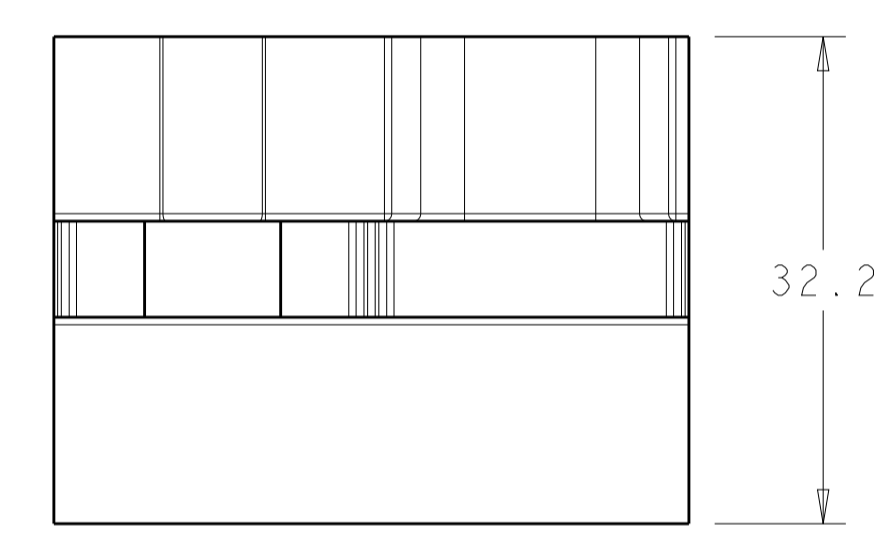


REVISONS		DATE	DWN	APVD
1	PROPOSED	11SEPT2014	RT	EW
2	UPDATE VIEWS	13JAN2015	RT	EW
3	STANDARDIZE DWG	03FEB2015	RT	EW



- △ HOUSING: THERMOPLASTIC, COLOR BLACK, FLAMMABILITY RATING UL 94 V-0.
- △ THIS ASSEMBLY TO MATE WITH TEC PART NUMBER 2212292-1.
- 3. RECOMMENDED SHOULDER SCREW:
2212056, FLOAT MOUNT
2212055, FIXED MOUNT
- △ RECOMMENDED PANEL CUTOUT FOR FRONT PANEL MOUNT APPLICATION.
RECOMMENDED PANEL THICKNESS 1.5 TO 1.78.
- △ DATE CODE AND PART NUMBER IN APPROXIMATE AREA SHOWN.



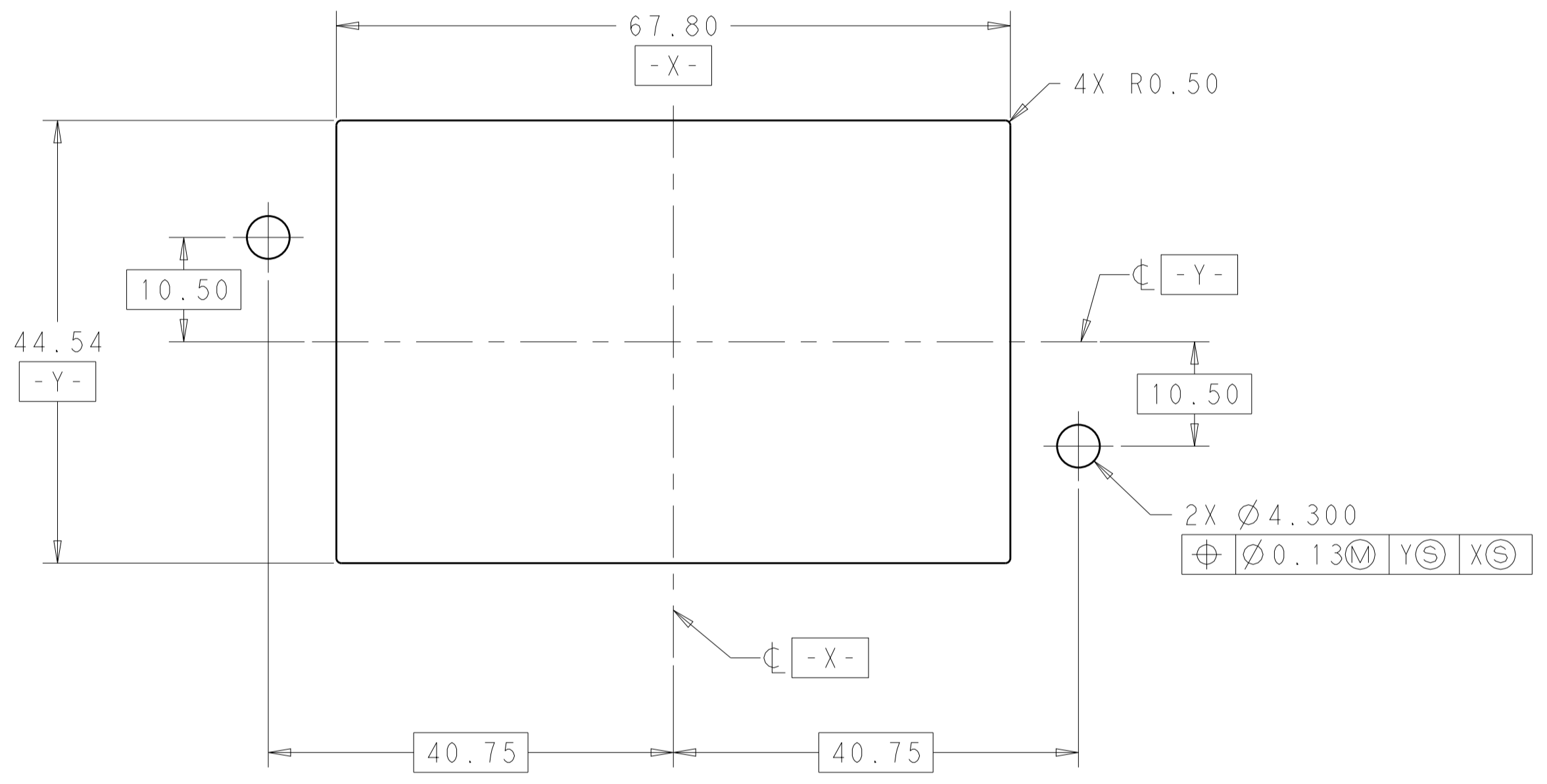
FULLY MATED ASSEMBLIES △
SCALE 1:1

CONNECTOR, PIN, FORGE 0x#0, 6x#4, 0x#8, 0x#12, 2x#22 2212290-1
 DESCRIPTION PART NO.

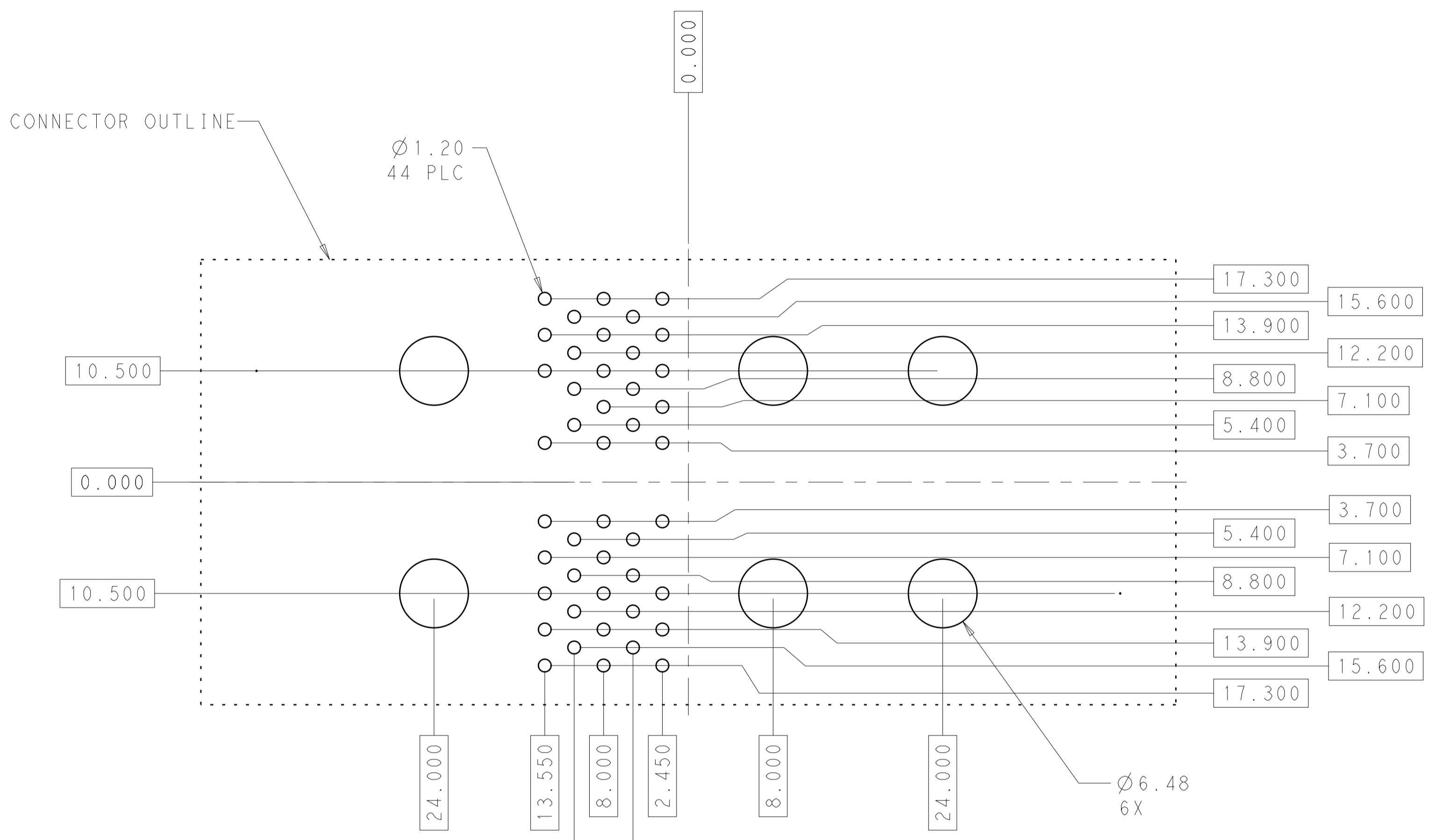
THIS PRINT IS
PRELIMINARY
 UNQUALIFIED PRODUCT
 CONTACT PRODUCT ENGINEERING
 BEFORE USING THIS PRINT

THIS DRAWING IS A CONTROLLED DOCUMENT.		DWN R. IRENA	11SEP2014	TE Connectivity
DIMENSIONS: mm		CHK E. WICKES	06NOV2014	
TOLERANCES UNLESS OTHERWISE SPECIFIED:		APVD S. STRICKLER	06NOV2014	NAME CONNECTOR, PIN, FORGE 0x#0, 6x#4, 0x#8, 0x#12, 2x#22 CONFIGURATION
0 PLC ±N/A 1 PLC ±N/A 2 PLC ±0.40 3 PLC ±0.260 4 PLC ±N/A ANGLES ±N/A		PRODUCT SPEC 108-2323	APPLICATION SPEC 114-13299	
MATERIAL		FINISH	WEIGHT	SIZE A1
Customer Drawing		CAGE CODE DRAWING NO 100779		RESTRICTED TO
		SCALE 2:1		SHEET 1 OF 2
				REV 3

LOC	DIST	REV	DATE	BY	APPV
-	-	1	SEE SHEET 1	-	-



RECOMMENDED PANEL CUTOUT
 SCALE 2:1



RECOMMENDED PCB LAYOUT
 SCALE 3:1

THIS DRAWING IS A CONTROLLED DOCUMENT.		OWN: R. IREDA 11SEP2014	
DIMENSIONS: mm		CHK: E. WICKES 06NOV2014	
TOLERANCES UNLESS OTHERWISE SPECIFIED:		APVD: S. STRICKLER 06NOV2014	NAME: CONNECTOR, PIN, FORGE
0 PLC ±N/A	1 PLC ±N/A	PRODUCT SPEC: 108-2323	0x#0, 6x#4, 0x#8, 0x#12, 2x#22 CONFIGURATION
2 PLC ±0.40	3 PLC ±0.260	APPLICATION SPEC: 114-13299	SIZE: A1
4 PLC ±N/A	ANGLES ±N/A	WEIGHT: -	CAGE CODE: 2212290
MATERIAL: -	FINISH: -	Customer Drawing	RESTRICTED TO: -
		SCALE: 1:1	SHEET: 2 OF 2
			REV: 3