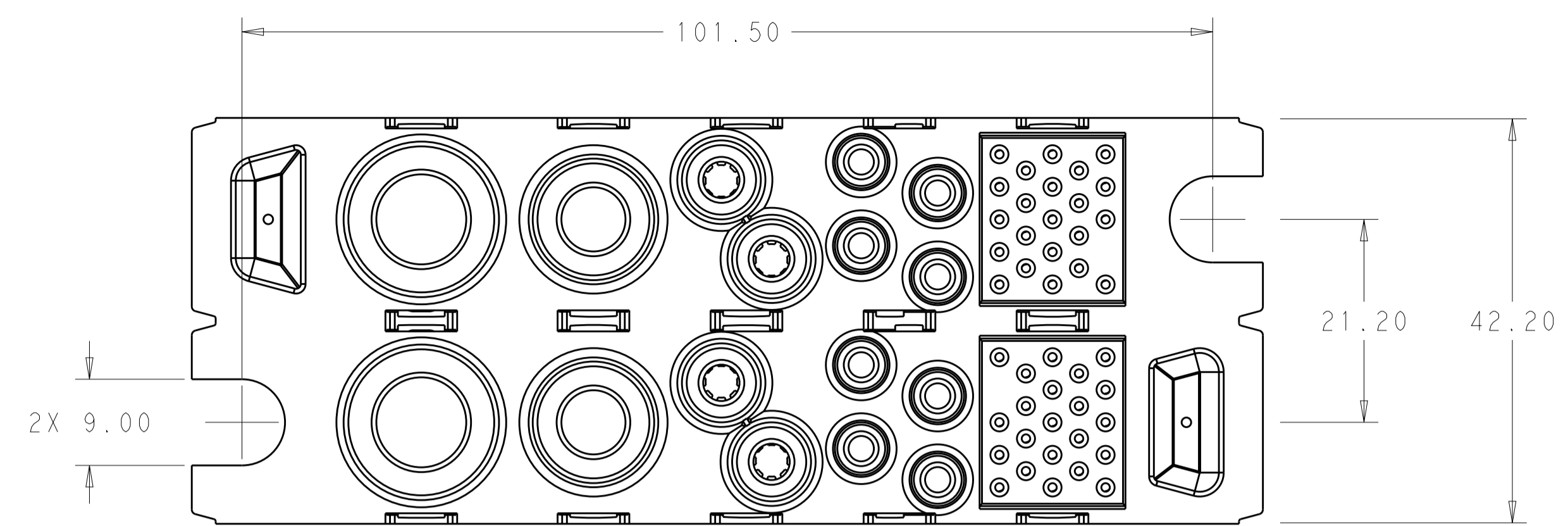
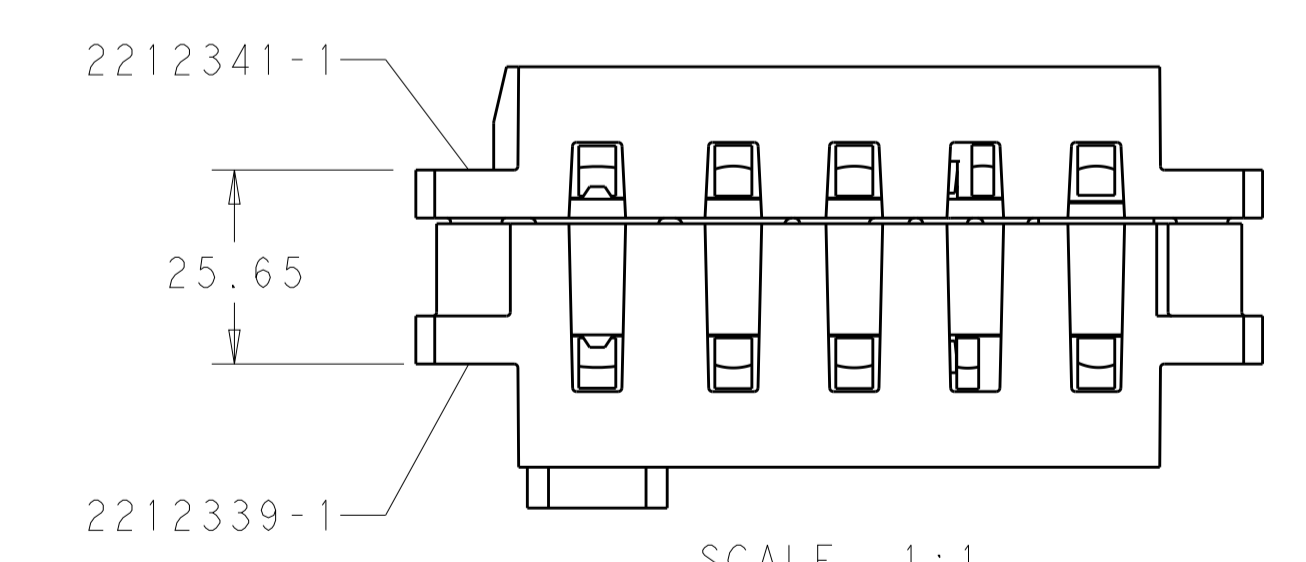
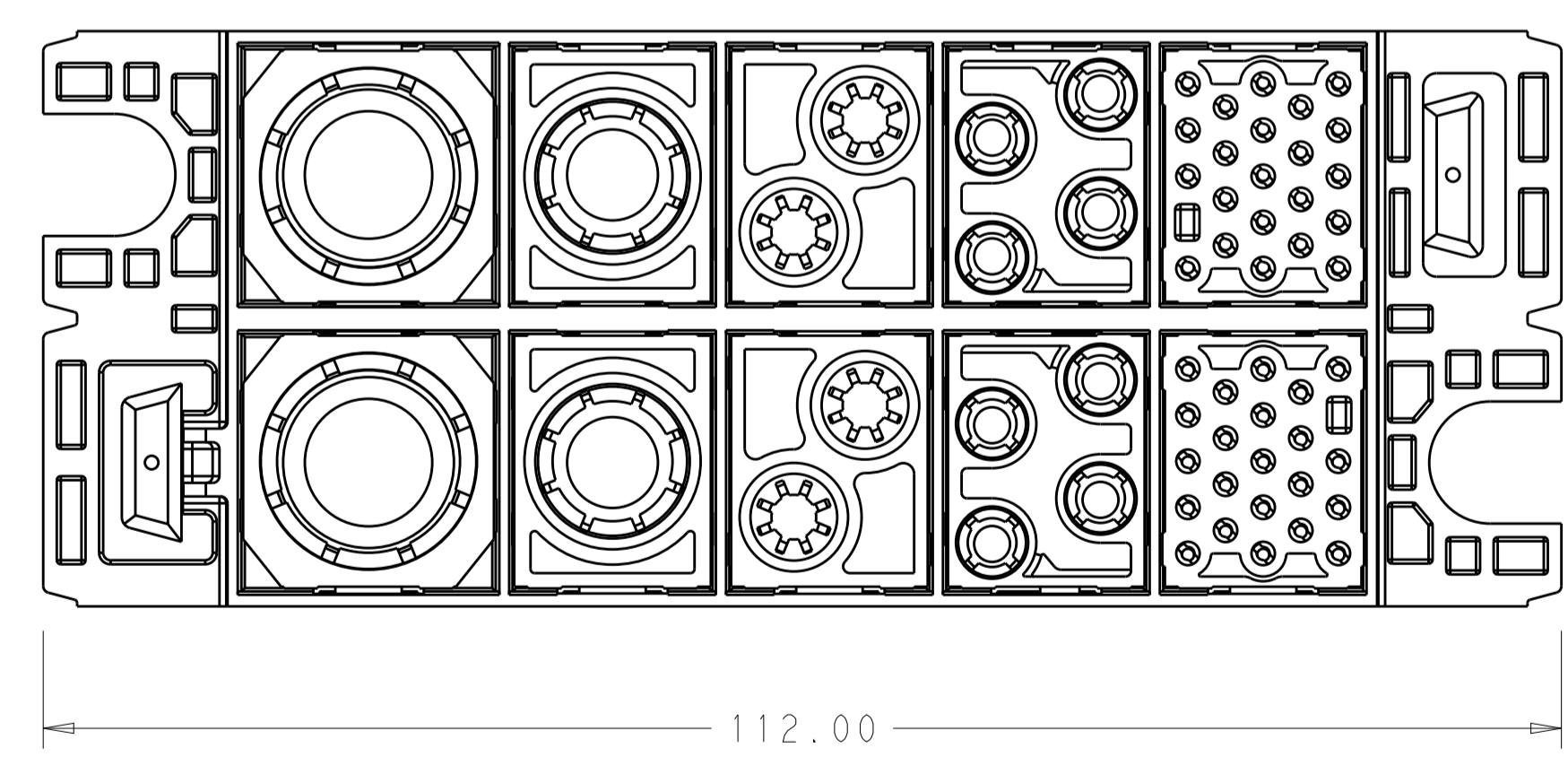
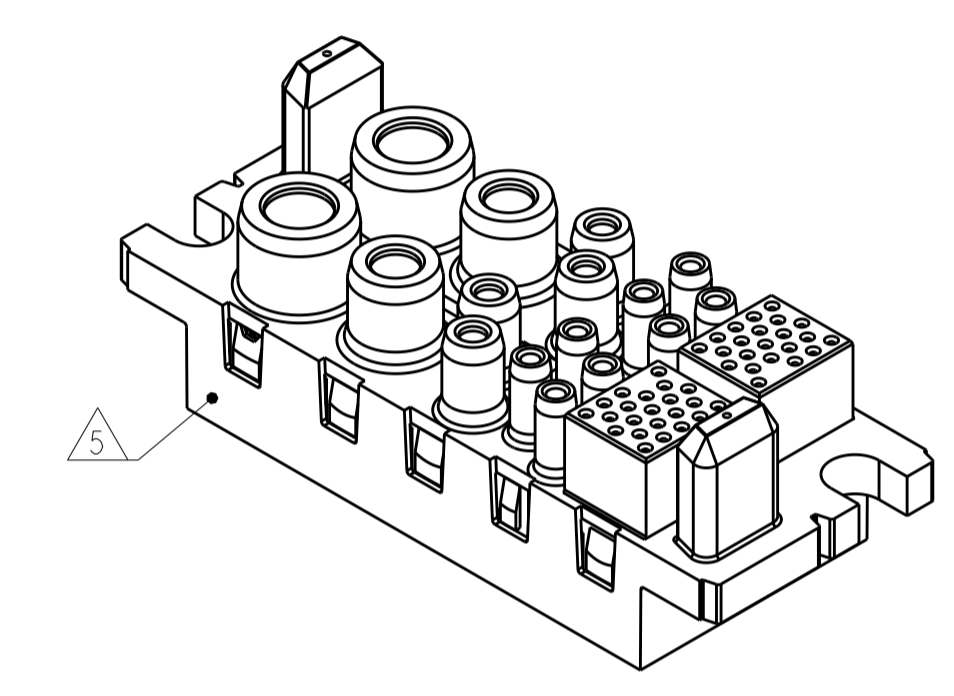
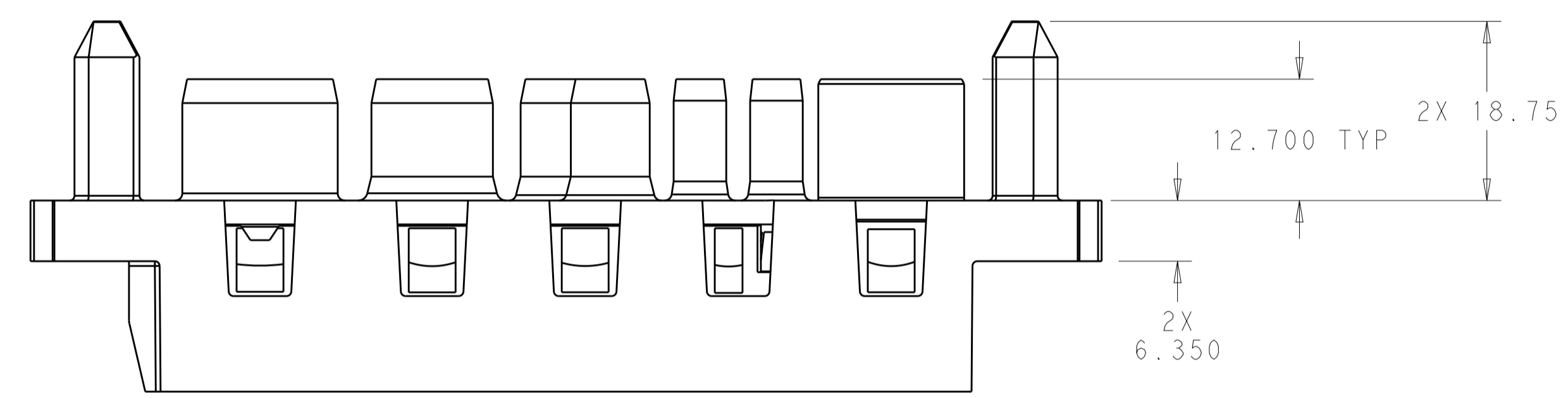
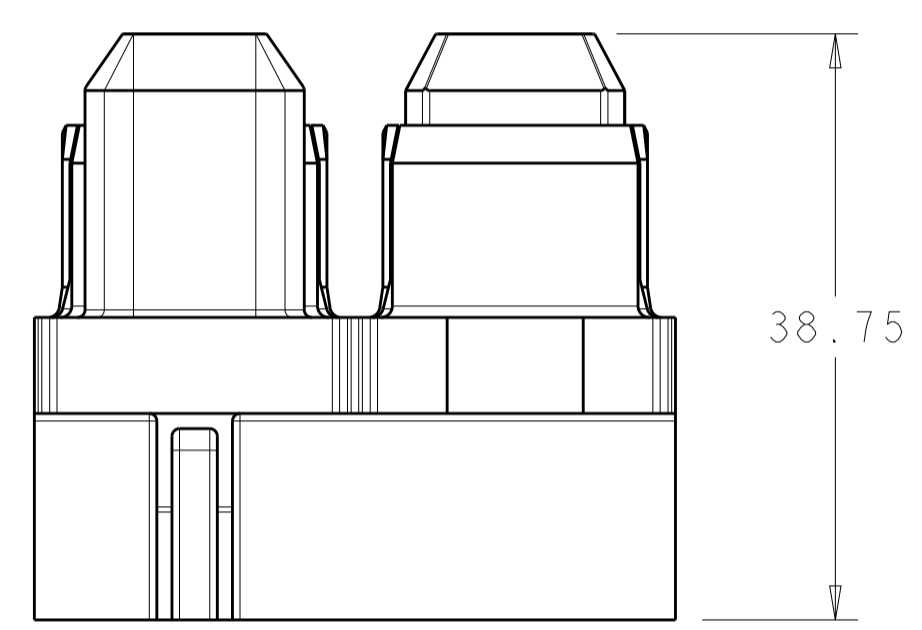


LOC		DIST		REVISIONS			
P	LTN	DESCRIPTION	DATE	OWN	APVD		
A		INITIAL RELEASE	28FEB2018	OL	SZ		



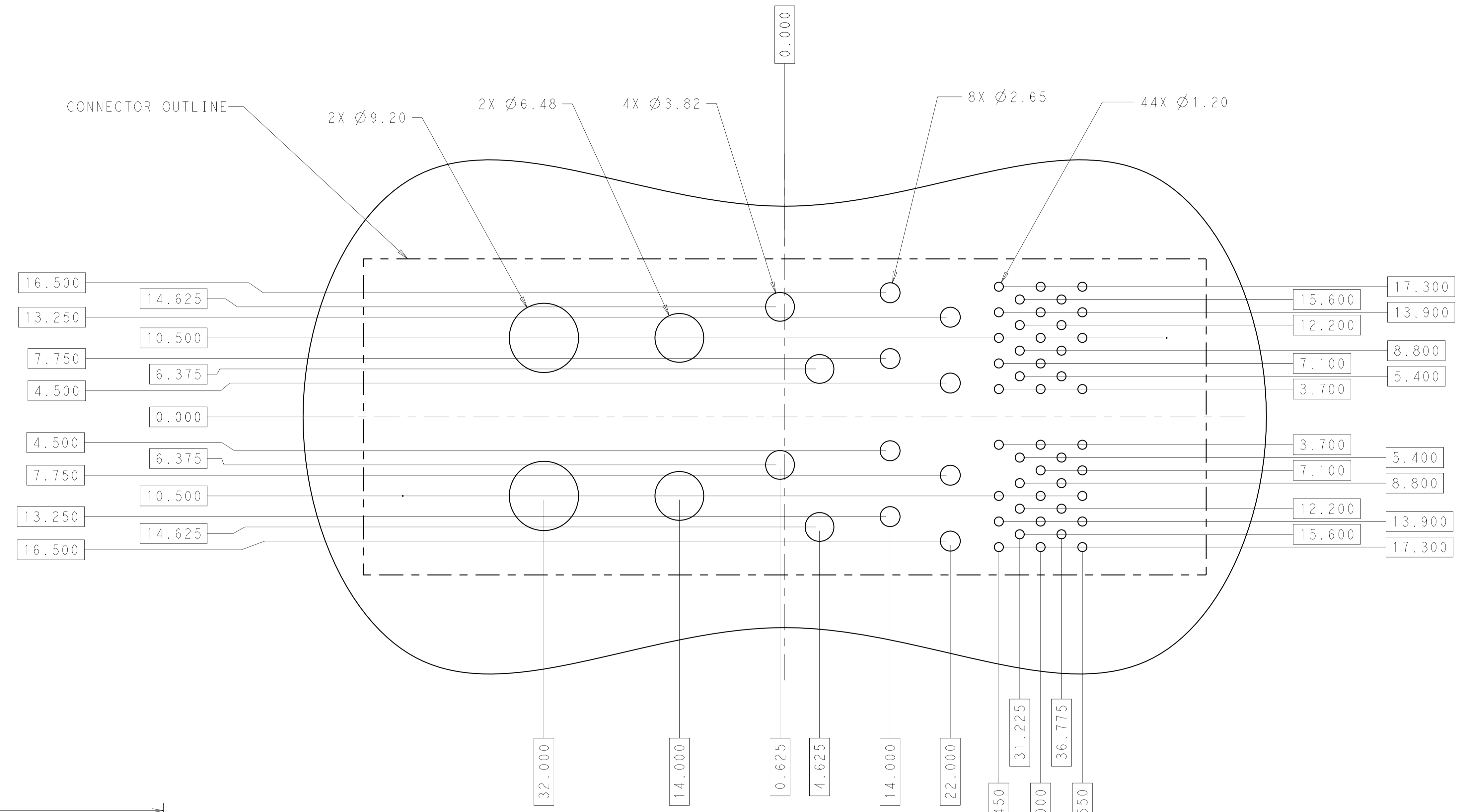
- △ HOUSING: THERMOPLASTIC, COLOR BLACK, FLAMMABILITY RATING UL 94 V-0.
- △ THIS ASSEMBLY TO MATE WITH TEC PART NUMBER 2212339-1.
- 3. RECOMMENDED SHOULDER SCREW:
2212056, FLOAT MOUNT
- △ RECOMMENDED PANEL CUTOUT FOR FRONT PANEL MOUNT APPLICATION.
RECOMMENDED PANEL THICKNESS 1.5 TO 1.78.
- △ DATE CODE AND PART NUMBER IN APPROXIMATE AREA SHOWN.



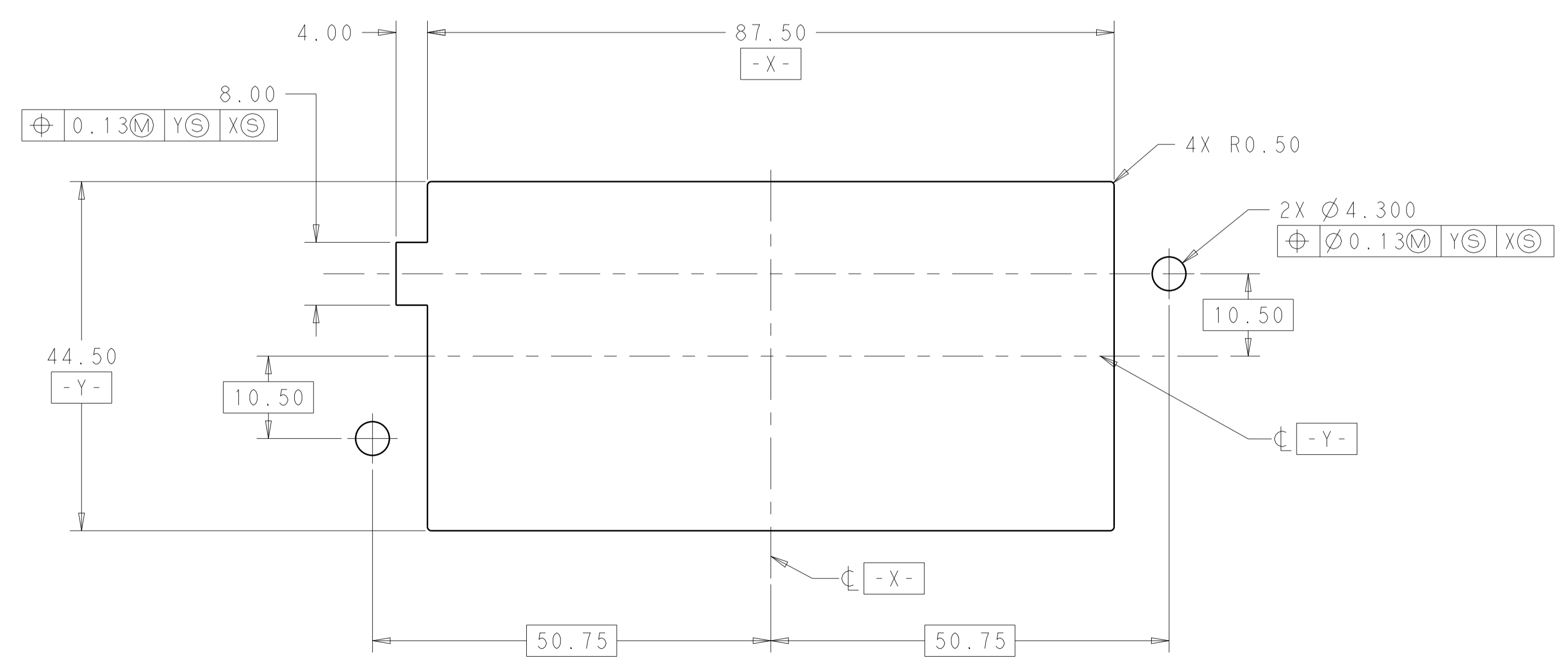
SCALE 1:1
 FULLY MATED ASSEMBLIES △

CONNECTOR, SOCKET, FORGE 2x#0,2x#4,2x#8,2x#12,2x#22,		2212341-1	
DESCRIPTION		PART NO.	
THIS DRAWING IS A CONTROLLED DOCUMENT.		OWN: R. IRENA 11DEC2014	
DIMENSIONS: mm		CHK: E. WICKES 11DEC2014	
TOLERANCES UNLESS OTHERWISE SPECIFIED:		APVD: S. STRICKLER 11DEC2014	
0 PLC ±N/A 1 PLC ±N/A 2 PLC ±0.25 3 PLC ±0.13 4 PLC ±N/A ANGLES ±N/A		NAME: S. STRICKLER 11DEC2014	
MATERIAL: △		PRODUCT SPEC: 108-2323	NAME: CONNECTOR, SOCKET, FORGE 2x#0,2x#4,2x#8,2x#12,2x#22 CONFIGURATION
FINISH: △		APPLICATION SPEC: 114-13299	SIZE: A1 CAGE CODE: 00779 DRAWING NO: C=2212341
CUSTOMER DRAWING		WEIGHT: -	RESTRICTED TO: -
		SCALE: 2:1	SHEET: 1 OF 2
			REV: A

LOC	DIST	REV	DATE	BY	APPV
-	-	-	-	-	-
SEE SHEET 1					



RECOMMENDED PCB LAYOUT
SCALE 3:1



RECOMMENDED PANEL CUTOUT \triangle
SCALE 2:1

THIS DRAWING IS A CONTROLLED DOCUMENT.		OWN: R. IRENA 11DEC2014	TE Connectivity
DIMENSIONS: mm		CHK: E. WICKES 11DEC2014	
TOLERANCES UNLESS OTHERWISE SPECIFIED:		APVD: S. STRICKLER 11DEC2014	NAME: CONNECTOR, SOCKET, FORGE
0 PLC \pm N/A 1 PLC \pm N/A 2 PLC \pm 0.25 3 PLC \pm 0.13 4 PLC \pm N/A ANGLES \pm N/A		PRODUCT SPEC: 108-2323	2x#0, 2x#4, 2x#8, 2x#12, 2x#22 CONFIGURATION
MATERIAL: -		APPLICATION SPEC: 114-13299	RESTRICTED TO: -
FINISH: -		WEIGHT: -	SIZE: A1
CUSTOMER DRAWING		CAGE CODE: 2212341	SCALE: 2:1
		SHEET: 2 OF 2	REV: A