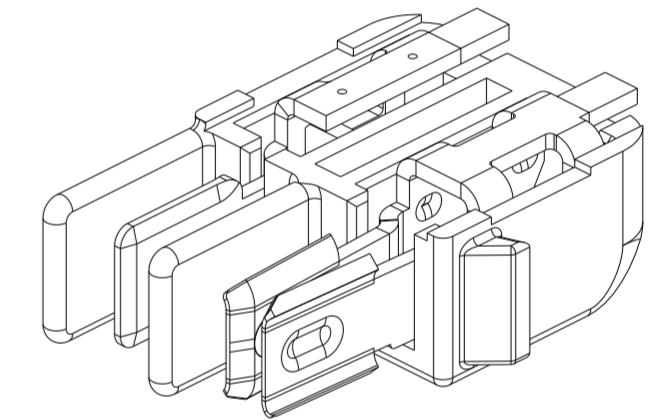
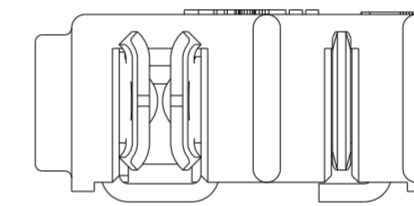
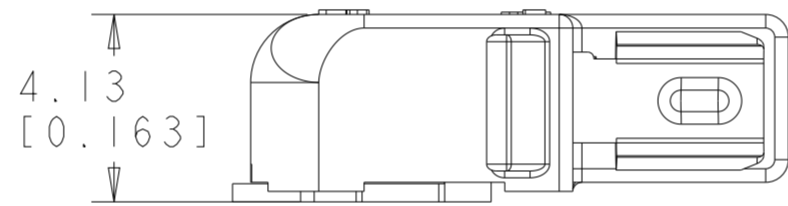
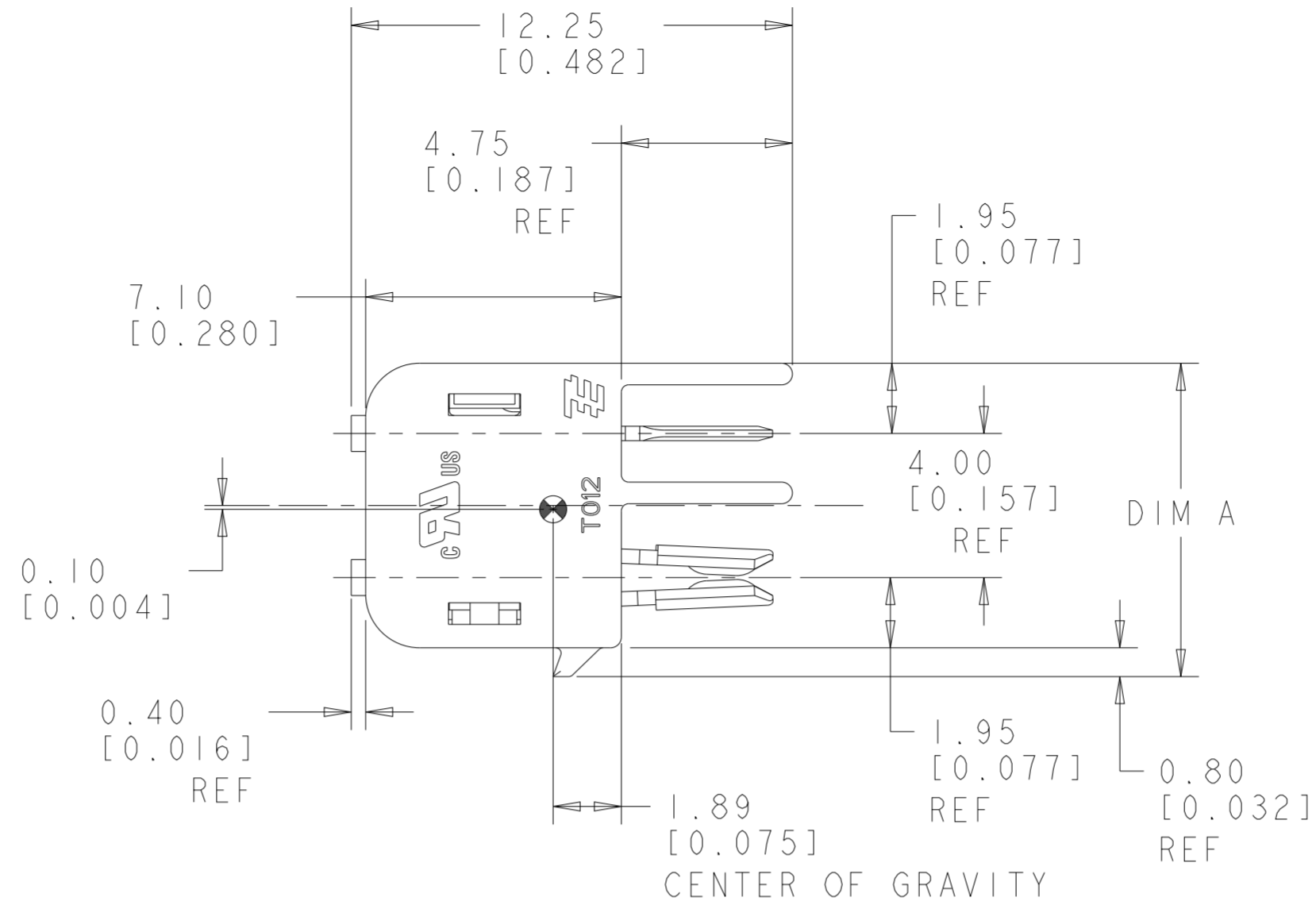


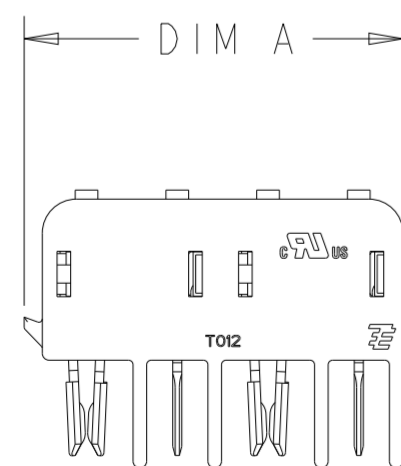
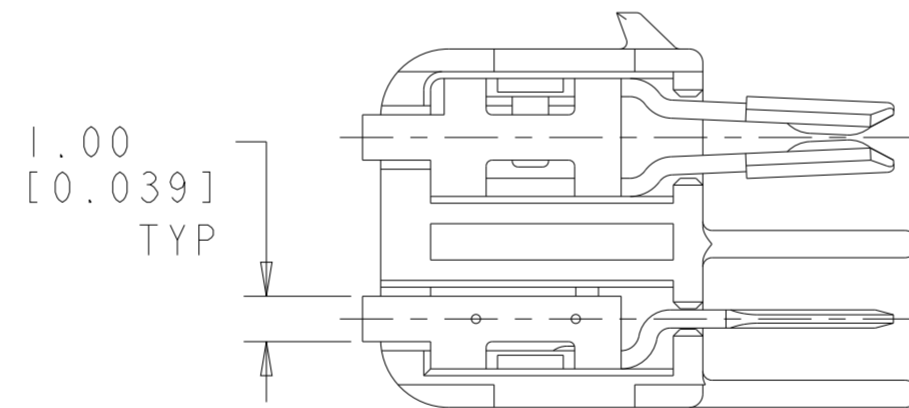
P	LTR	DESCRIPTION	DATE	DWN	APVD
A		REVISED PER ECR-14-005938	24APR2014	RS	DD
AI		REVISED PER ECR-21-003760	13APR2021	SR	JL

NOTES:

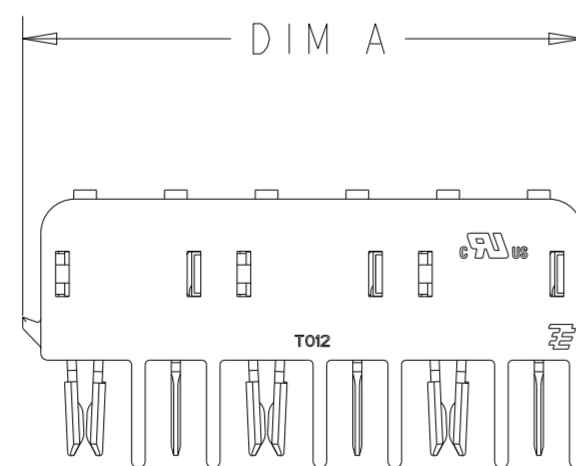
- 1. MATERIALS AND FINISH
 - HOUSING: LCP
 - CONTACTS: COPPER ALLOY, FINISH: GOLD
- 2. PRODUCT TO COMPLY WITH DIRECTIVE 2002/95/EC (ROHS)
- 3. PACKAGED IN TAPE AND REEL PER EIA-481 SPECIFICATIONS



2213288-1/
1-2213288-1
SHOWN



2213288-2/
1-2213288-2
SCALE 3:1



2213288-3/
1-2213288-3
SCALE 3:1

OBSOLETE

POSITION	COLOR	DIM A	PART NO.
6	BLACK	24.70	1-2213288-3
4	BLACK	16.70	1-2213288-2
2	BLACK	8.70	1-2213288-1
6	NATURAL	24.70	2213288-3
4	NATURAL	16.70	2213288-2
2	NATURAL	8.70	2213288-1

THIS DRAWING IS A CONTROLLED DOCUMENT.

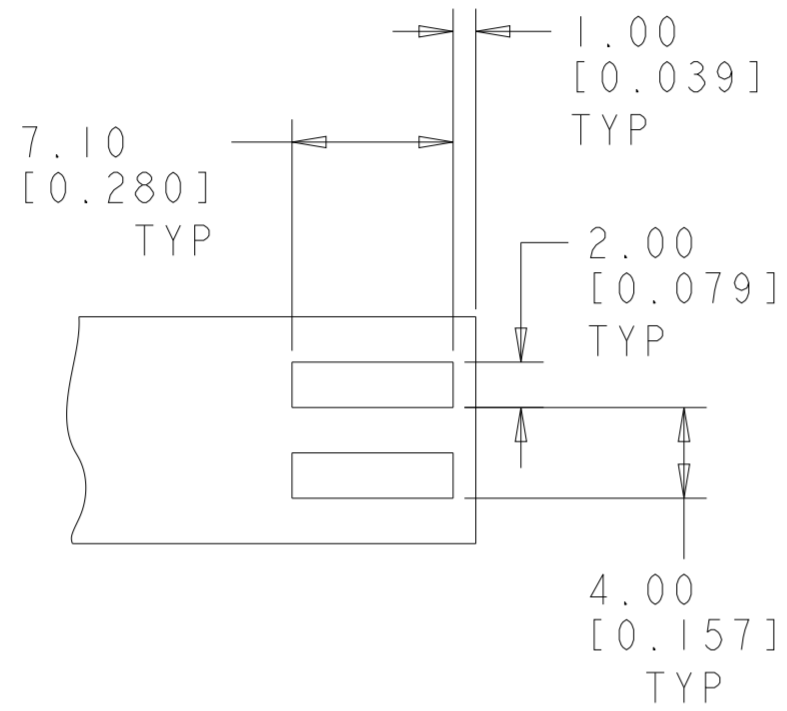
DIMENSIONS:	TOLERANCES UNLESS OTHERWISE SPECIFIED:	DWN	RAVLS	09APR2013
mm	0 PLC ±	CHK	D. DECKER	09APR2013
	1 PLC ±0.13	APVD	D. DECKER	09APR2013
	2 PLC ±0.013	PRODUCT SPEC		108-2342
	3 PLC ±	APPLICATION SPEC		114-13225
	4 PLC ±	WEIGHT		-
ANGLES	±1°	CUSTOMER DRAWING		
FINISH		SCALE	6:1	SHEET 1 OF 2

TE Connectivity

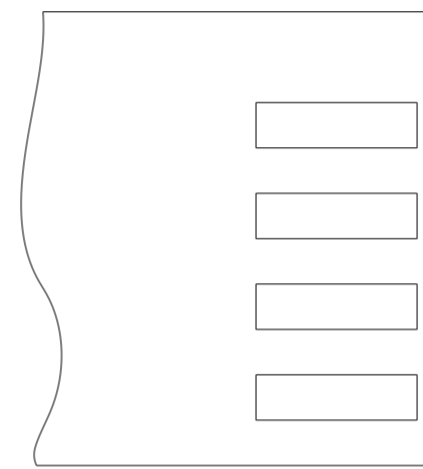
NAME: CONNECTOR ASSEMBLY, HERMAPHRODITIC BLADE AND RECEPTACLE, WITH LATCH

SIZE: A2 CAGE CODE: 00779 DRAWING NO: C-2213288 RESTRICTED TO: AI

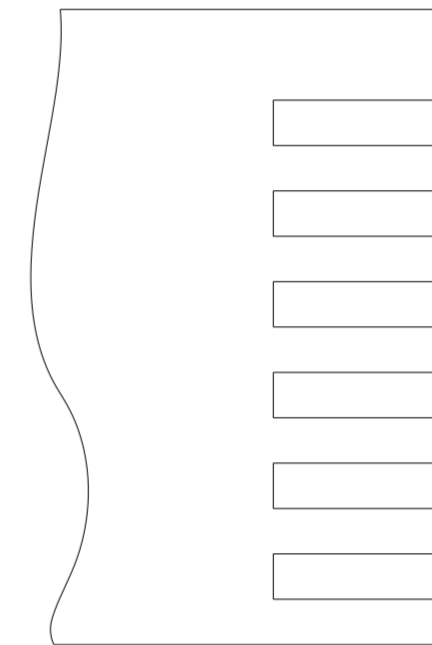
P	LTR	DESCRIPTION	DATE	DWN	APVD
-		SEE SHEET 1	-	-	-



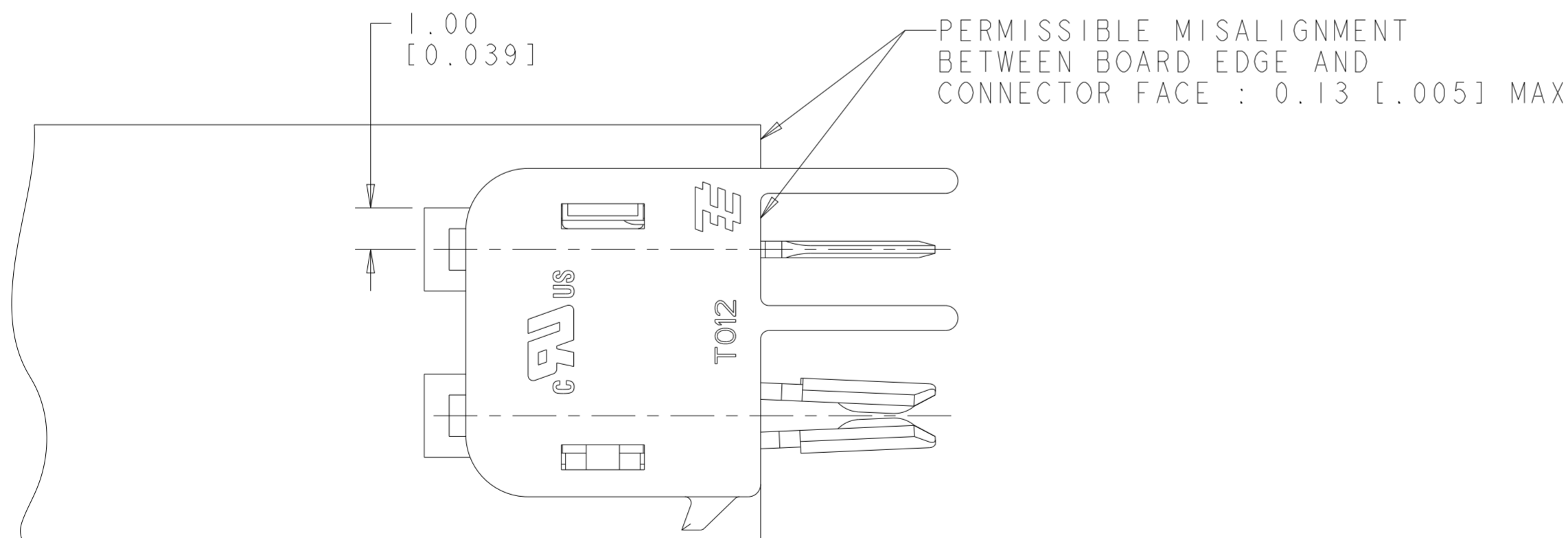
RECOMMENDED PCB LAYOUT FOR 2213288-1 & 1-2213288-1



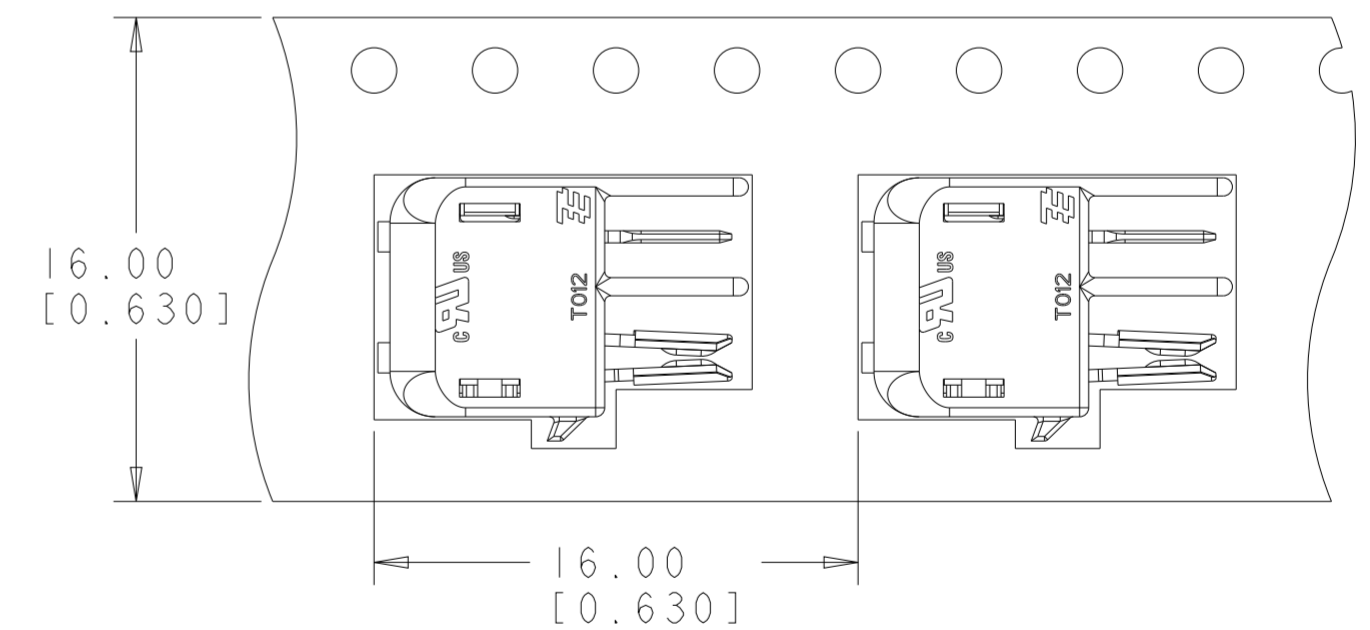
RECOMMENDED PCB LAYOUT FOR 2213288-2 & 1-2213288-2




RECOMMENDED PCB LAYOUT FOR 2213288-3 & 1-2213288-3



SCALE 8:1



TO BE PACKAGED AS SHOWN
SCALE 4:1

THIS DRAWING IS A CONTROLLED DOCUMENT.		DWN RAVLS 09APR2013	 TE Connectivity	
DIMENSIONS: mm		CHK D. DECKER 09APR2013		
TOLERANCES UNLESS OTHERWISE SPECIFIED:		APVD D. DECKER 09APR2013	NAME CONNECTOR ASSEMBLY, HERMAPHRODITIC BLADE AND RECEPTACLE, WITH LATCH	
0 PLC ± 1 PLC ± 2 PLC ±0.13 3 PLC ±0.013 4 PLC ± ANGLES ±1°		PRODUCT SPEC 108-2342	SIZE A2	
MATERIAL		APPLICATION SPEC 114-13225	CAGE CODE 00779	DRAWING NO C-2213288
FINISH		WEIGHT -	RESTRICTED TO	
		CUSTOMER DRAWING	SCALE 6:1	SHEET 2 OF 2