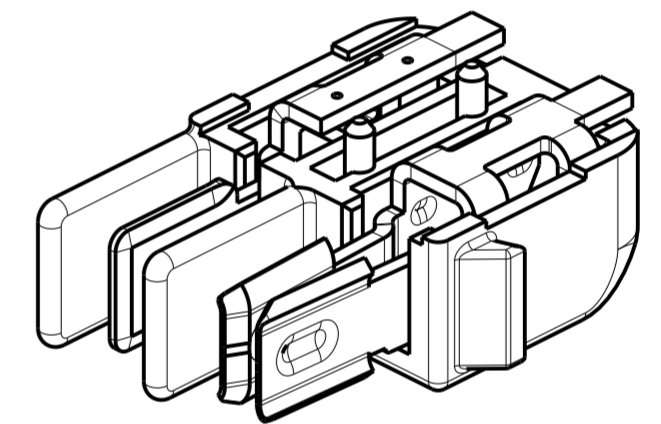
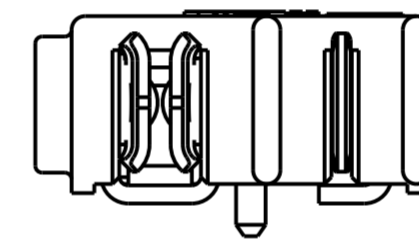
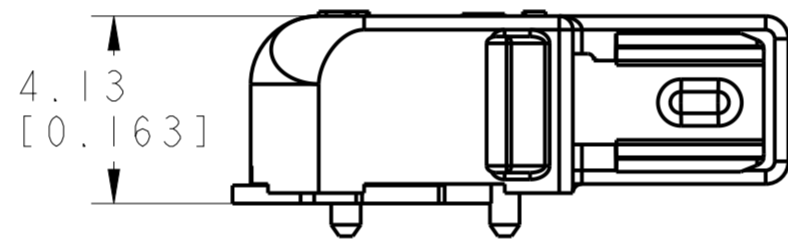
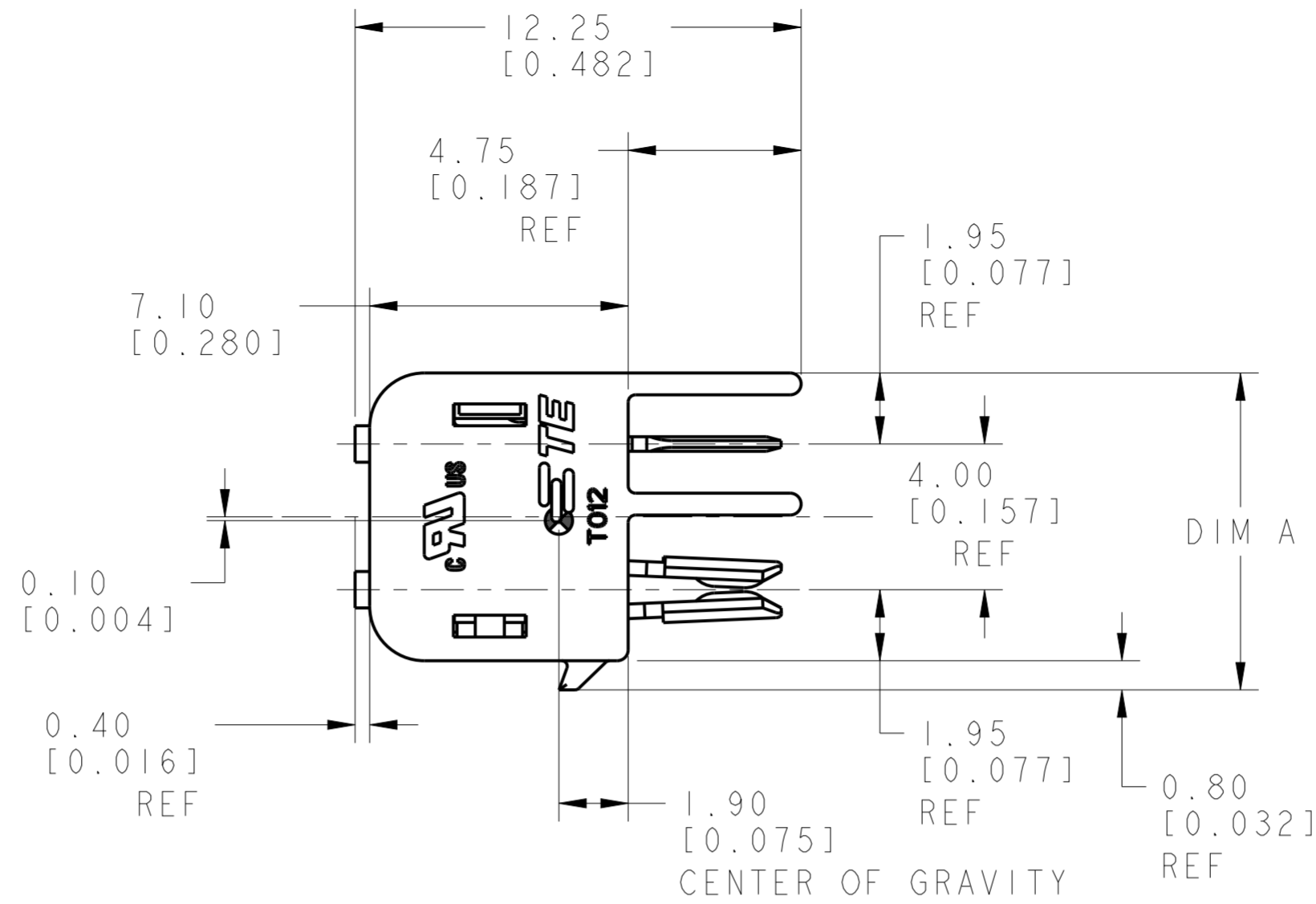


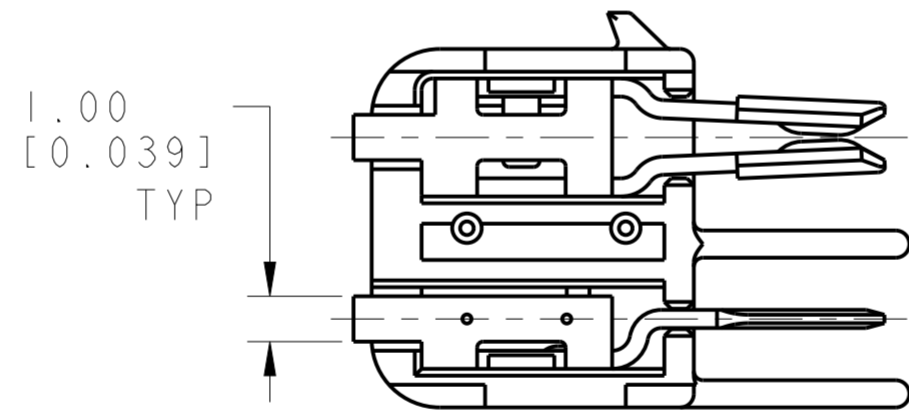
REVISIONS				
P	LTR	DESCRIPTION	DATE	APVD
A		REVISED PER ECR-14-006023	25APR2014	RS DD
AI		REVISED PER ECR-21-003760	13APR2021	SR JL

NOTES:

- 1. MATERIALS AND FINISH
  - HOUSING: LCP
  - CONTACTS: COPPER ALLOY, FINISH: GOLD
- 2. PRODUCT TO COMPLY WITH DIRECTIVE 2002/95/EC (ROHS)
- 3. PACKAGED IN TAPE AND REEL PER EIA-481 SPECIFICATIONS



~~2213289-1 /~~  
1-2213289-1  
SHOWN

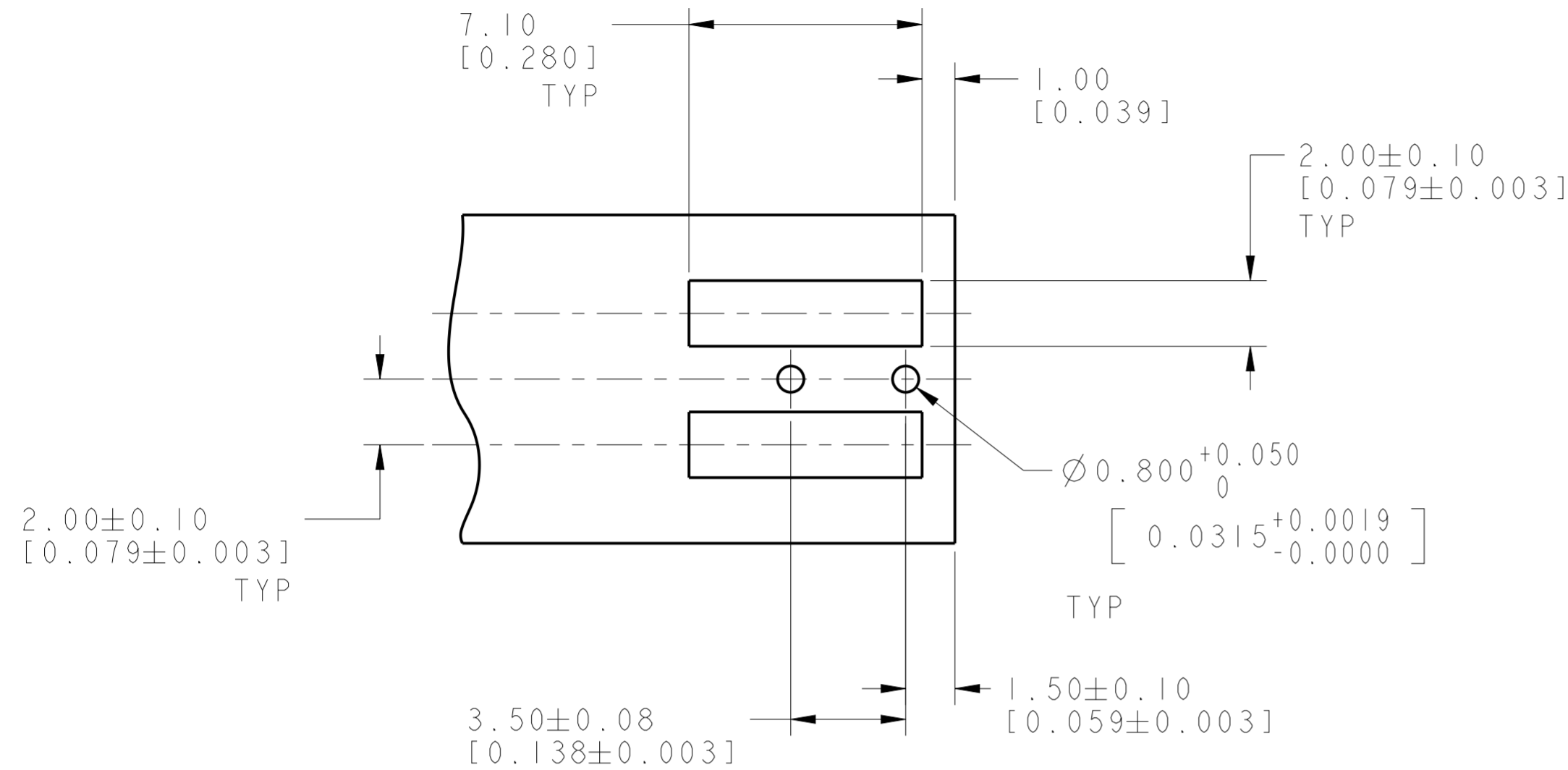


OBSOLETE

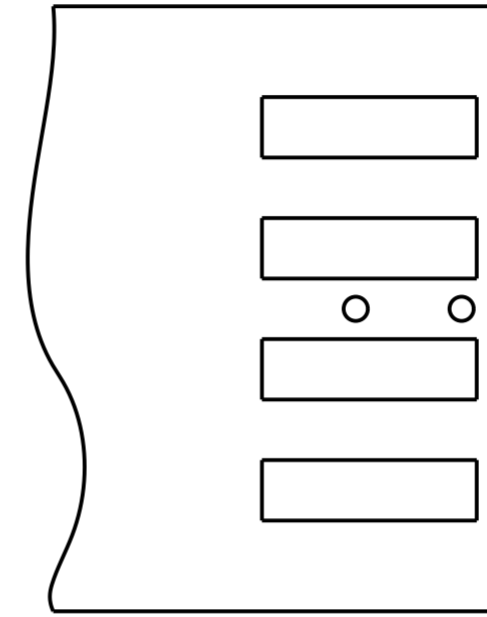
6	BLACK	24.70	1-2213289-3
4	BLACK	16.70	1-2213289-2
2	BLACK	8.70	1-2213289-1
6	NATURAL	24.70	2213289-3
4	NATURAL	16.70	2213289-2
2	NATURAL	8.70	2213289-1
POSITION	COLOR	DIM A	PART NO.

THIS DRAWING IS A CONTROLLED DOCUMENT.		DWN RAVLS 10APR2013																
DIMENSIONS: mm		CHK D. DECKER 10APR2013																
TOLERANCES UNLESS OTHERWISE SPECIFIED:		APVD D. DECKER 10APR2013	NAME CONNECTOR ASSEMBLY, HERMAPHRODITIC BLADE AND RECEPTACLE, WITH LATCH AND BOSS															
<table border="1"> <tr><td>0 PLC</td><td>±</td></tr> <tr><td>1 PLC</td><td>±</td></tr> <tr><td>2 PLC</td><td>±0.13</td></tr> <tr><td>3 PLC</td><td>±0.013</td></tr> <tr><td>4 PLC</td><td>±</td></tr> <tr><td>ANGLES</td><td>±1°</td></tr> <tr><td>FINISH</td><td></td></tr> </table>		0 PLC	±	1 PLC	±	2 PLC	±0.13	3 PLC	±0.013	4 PLC	±	ANGLES	±1°	FINISH		PRODUCT SPEC 108-2342	SIZE A200779	
0 PLC	±																	
1 PLC	±																	
2 PLC	±0.13																	
3 PLC	±0.013																	
4 PLC	±																	
ANGLES	±1°																	
FINISH																		
MATERIAL		APPLICATION SPEC 114-13225	CAGE CODE C-2213289															
		WEIGHT -	DRAWING NO. G-2213289															
		CUSTOMER DRAWING	RESTRICTED TO															
		SCALE 6:1	SHEET 1 OF 2															
			REV A1															

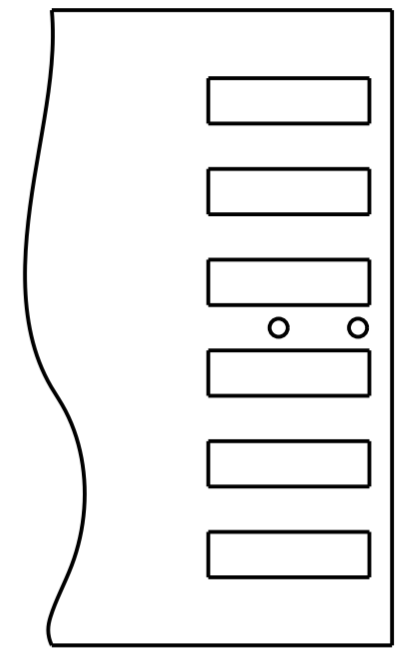
P	LTR	DESCRIPTION	DATE	DWN	APVD
-		SEE SHEET 1	-	-	-



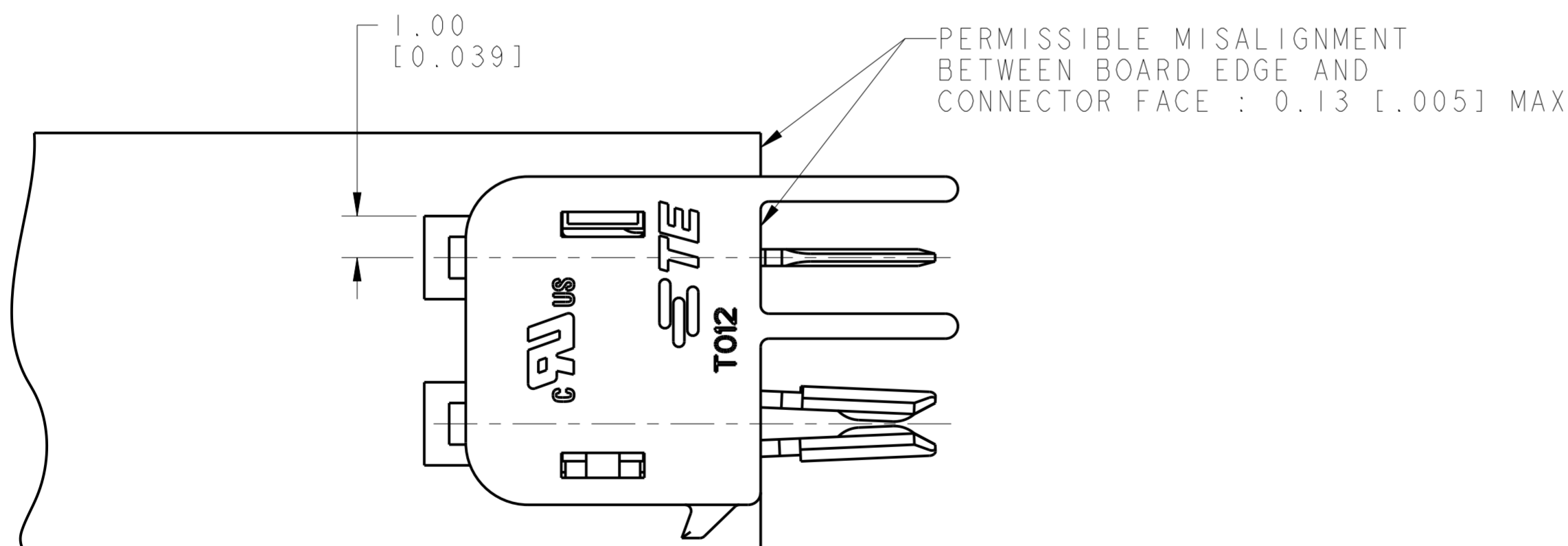
RECOMMENDED PCB LAYOUT FOR ~~2213289-1~~ & 1-2213289-1



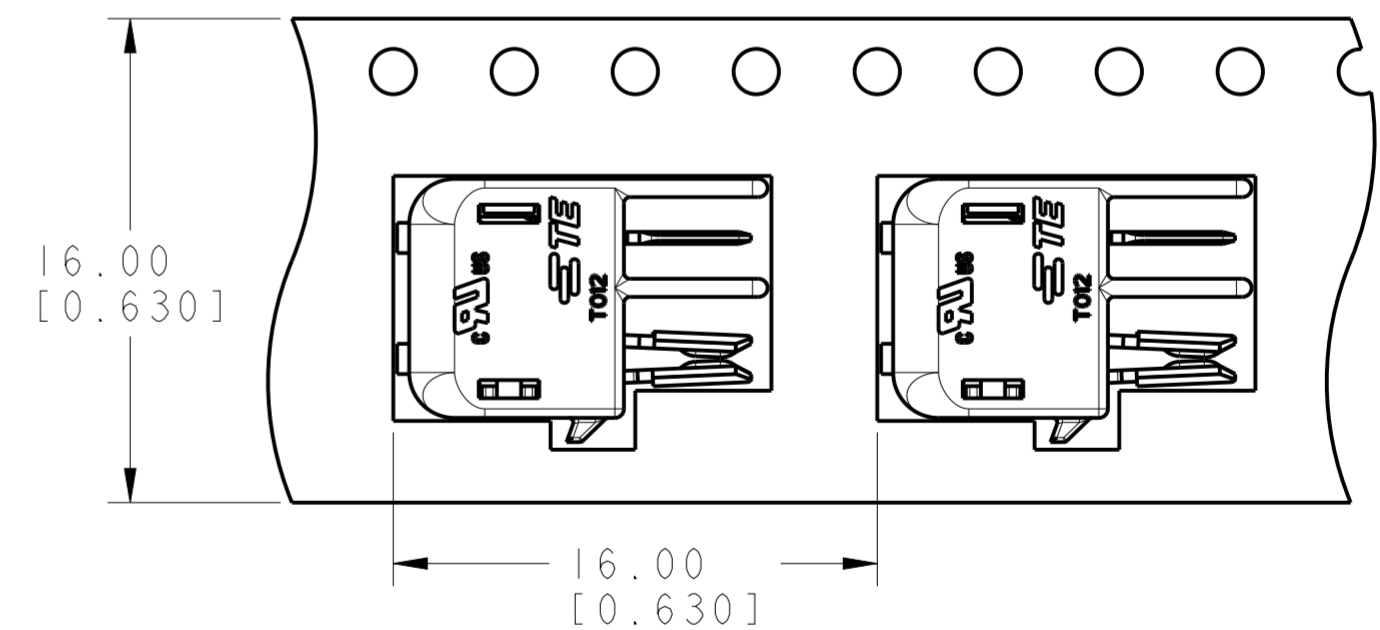
RECOMMENDED PCB LAYOUT FOR ~~2213289-2~~ & 1-2213289-2



RECOMMENDED PCB LAYOUT FOR ~~2213289-3~~ & 1-2213289-3



SCALE 8:1



TO BE PACKAGED AS SHOWN  
SCALE 4:1

THIS DRAWING IS A CONTROLLED DOCUMENT.		DWN RAVLS 10APR2013		
		CHK D. DECKER 10APR2013		
		APVD D. DECKER 10APR2013	NAME CONNECTOR ASSEMBLY, HERMAPHRODITIC BLADE AND RECEPTACLE, WITH LATCH AND BOSS	
DIMENSIONS: mm		PRODUCT SPEC 108-2342	SIZE 114-13225	RESTRICTED TO
TOLERANCES UNLESS OTHERWISE SPECIFIED: 0 PLC ± 1 PLC ± 2 PLC ±0.13 3 PLC ±0.013 4 PLC ± ANGLES ±1° FINISH		APPLICATION SPEC	WEIGHT	SCALE 6:1
MATERIAL		CUSTOMER DRAWING	SIZE A200779	SHEET 2 OF 2
			DRAWING NO C-2213289	REV A1