

4

3

2

1

THIS DRAWING IS UNPUBLISHED. RELEASED FOR PUBLICATION 20
 © COPYRIGHT 20 BY - ALL RIGHTS RESERVED.

REVISIONS					
P	LTR	DESCRIPTION	DATE	DWN	APVD
A		RELEASED FOR PRODUCTION	13SEP2017	RK	OP
A1		REVISED PER ECR-19-008526	31MAY2019	SR	DD
A2		REVISED PER ECR-20-017275	20JAN2021	JL	MM
A3		REVISED PER ECR-22-147323	25JUL2022	SD	MM

ZHAGA X-AXIS
 ZHAGA Y-AXIS
 Ø5.35
 Ø30.00
 Ø36.50±0.25

1.00
 Ø8.00
 9.40±0.25
 2.70
 27.40±0.30
 18.00 REF
 M20X1.5 THREAD
 1.4
 4
 Ø33.00±0.5
 7.5±0.3

SEE SHEET 2 FOR
 BOTTOM VIEW DETAIL

NOTES:

1 MATERIALS AND FINISH:
 -RECEPTACLE HOUSING: PBT, COLOR: BLACK
 -NUT: NYLON, COLOR: BLACK
 -CONTACTS: COPPER ALLOY, FINISH: Sn OVER Ni
 -SEAL: SILICON, COLOR: BLACK
 -STAR WASHER: STAINLESS STEEL

2. MUST COMPLY WITH DIRECTIVE 2002/95/EC (ROHS)

4 LOCK WASHER (REF P/N: 2213817-1) AND NUT (REF P/N: 2213791-1)
 NOT ASSEMBLED, SHIPPED BULK PACKED

5 LOCK WASHER (REF P/N: 2213817-1) AND NUT (REF P/N: 2213791-1)
 NOT INCLUDED

SCALE 5:2

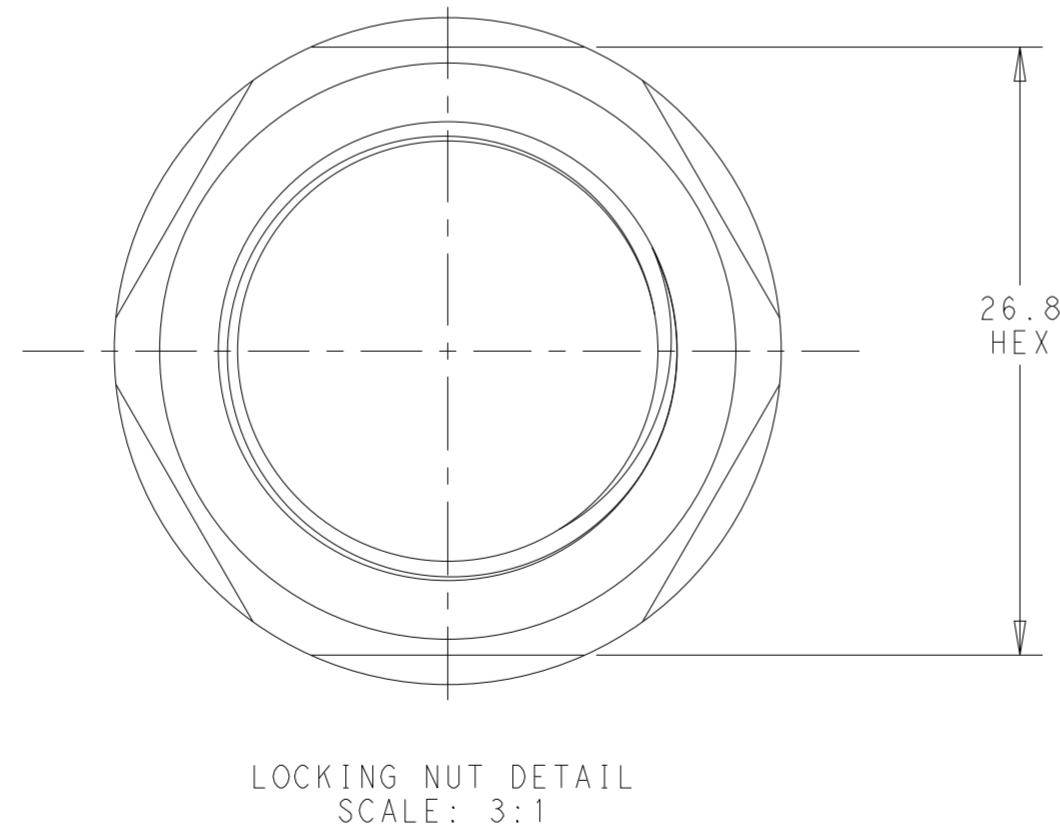
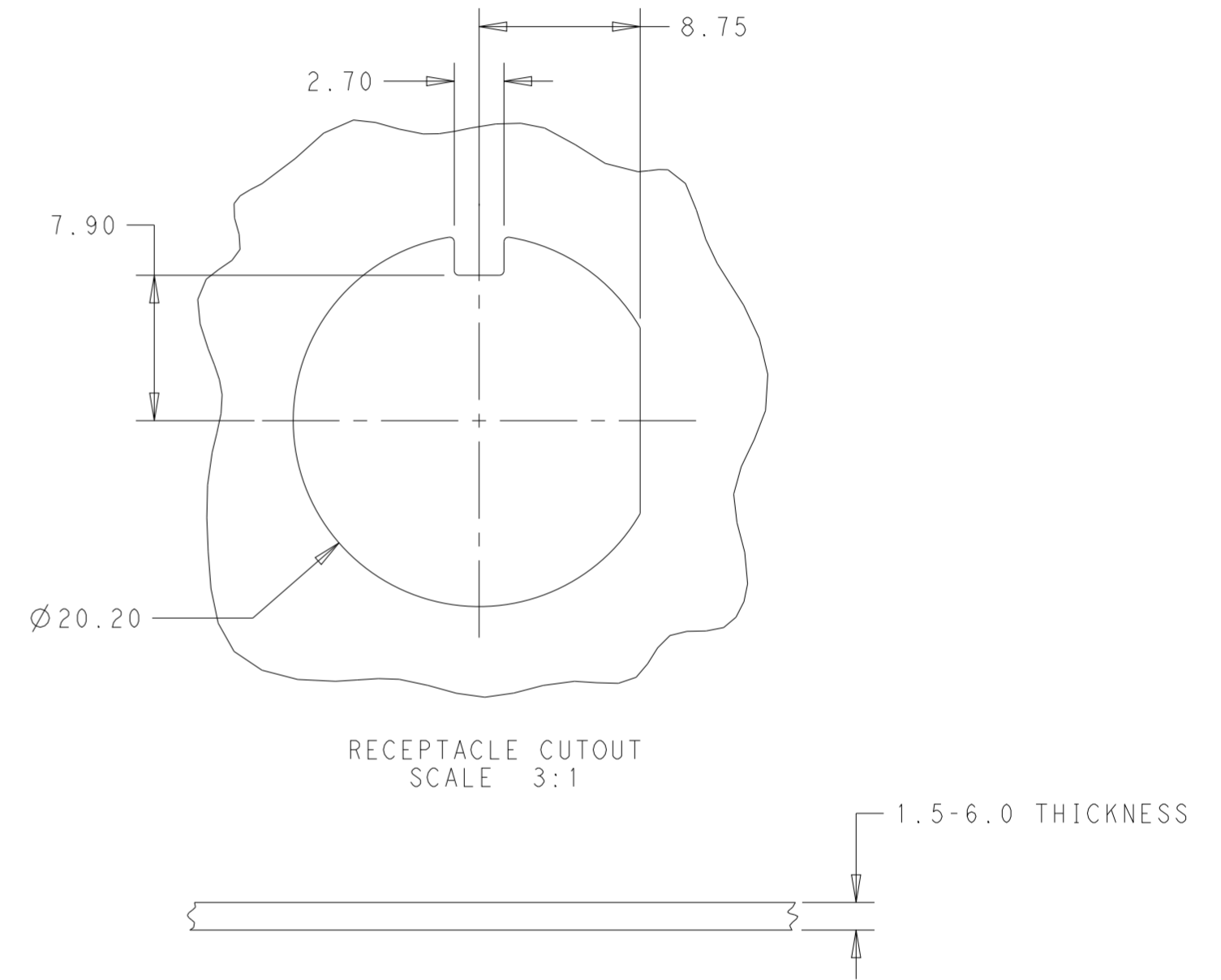
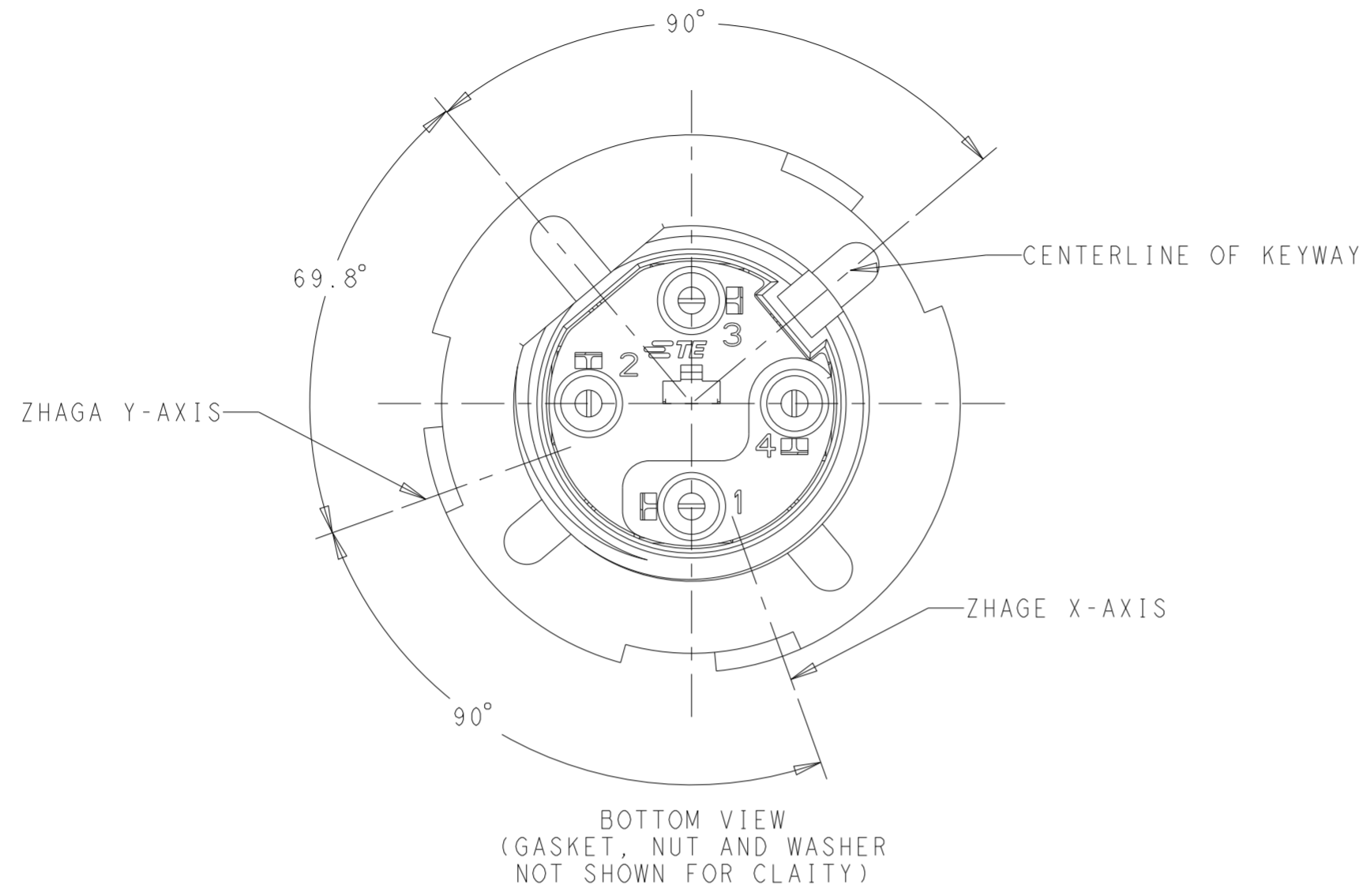
5 1-2213858-1
 2213858-1
 PART NO.

THIS DRAWING IS A CONTROLLED DOCUMENT.		DWN C DAILY 05APR2016	TE Connectivity	
		CHK E HOWARD 05APR2016		
DIMENSIONS:	TOLERANCES UNLESS OTHERWISE SPECIFIED:	APVD -	NAME RECEPTACLE ASSEMBLY, LUMAWISE ENDURANCE S	RESTRICTED TO
mm	0 PLC ± 1 PLC ±0.2 2 PLC ±0.15 3 PLC ± 4 PLC ± ANGLES ±2 FINISH	PRODUCT SPEC 108-133073	SIZE A2	-
MATERIAL	-	APPLICATION SPEC 114-133074	CAGE CODE -	DRAWING NO G-2213858
		WEIGHT -	SCALE 3:1	SHEET 1 OF 2
		CUSTOMER DRAWING	REV A3	

1471-9 (3/13)

THIS DRAWING IS UNPUBLISHED. RELEASED FOR PUBLICATION 20
 © COPYRIGHT 20 BY - ALL RIGHTS RESERVED.

REVISIONS				
P	LTR	DESCRIPTION	DATE	APVD
-	-	SEE SHEET 1	-	-



THIS DRAWING IS A CONTROLLED DOCUMENT.		DWN C. DAILY 05APR2016	STE TE Connectivity	
		CHK E. HOWARD 05APR2016		
DIMENSIONS:	TOLERANCES UNLESS OTHERWISE SPECIFIED:	APVD -	NAME RECEPTACLE ASSEMBLY, LUMAWISE ENDURANCE S	
mm	0 PLC ± 1 PLC ±0.2 2 PLC ±0.15 3 PLC ± 4 PLC ±	PRODUCT SPEC 108-133073	SIZE A2	
MATERIAL	FINISH	APPLICATION SPEC 114-133074	CAGE CODE -	DRAWING NO. C-2213858
-	-	WEIGHT -	RESTRICTED TO -	SCALE 3:1 SHEET 2 OF 2 REV A3
		CUSTOMER DRAWING		