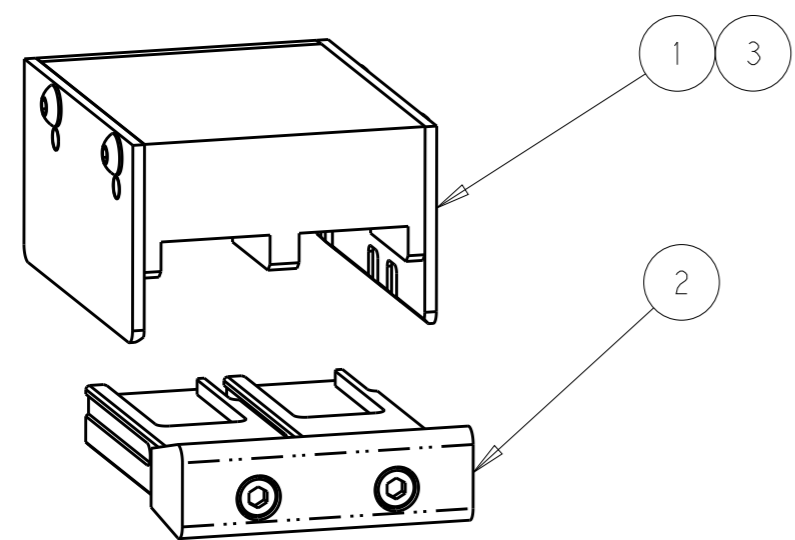
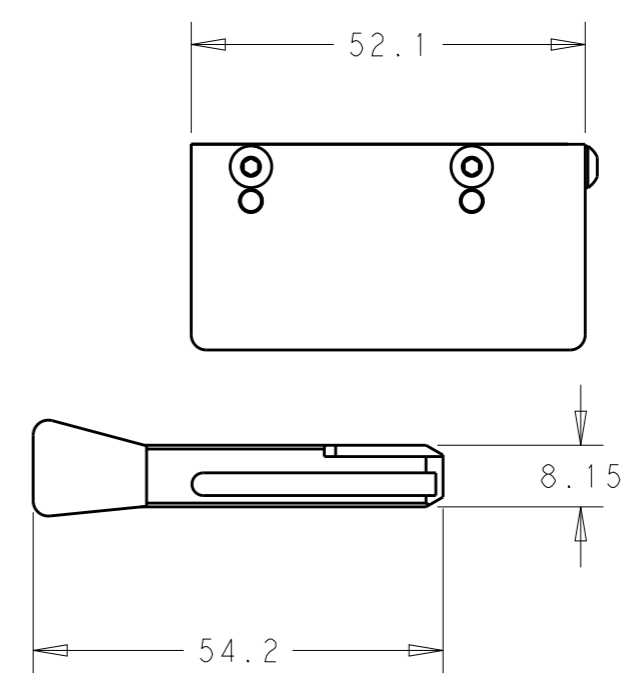
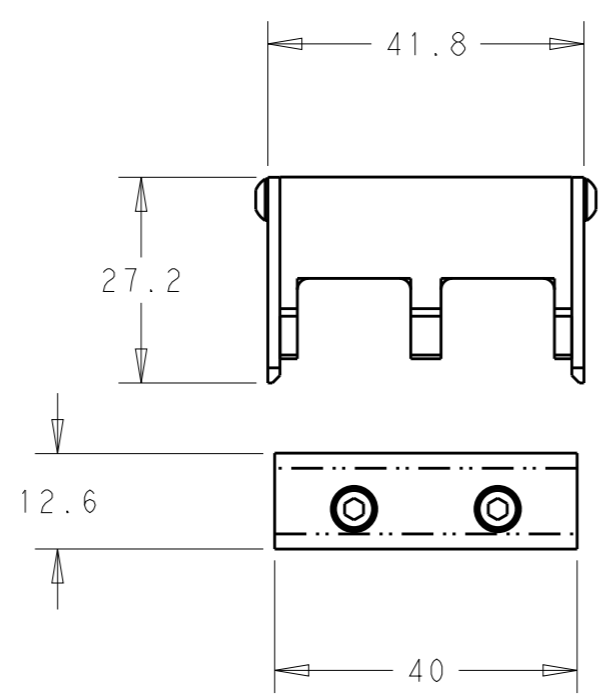



THIS DRAWING IS UNPUBLISHED. RELEASED FOR PUBLICATION 20  
 © COPYRIGHT 20 BY - ALL RIGHTS RESERVED.

PART NUMBER	REV	FIRST USED
2215091-1	A	2227104-1
2215091-2	A	2315050-1

REVISIONS					
P	LTR	DESCRIPTION	DATE	DWN	APVD
	A	INITIAL RELEASE	20AUG2015	CZ	VL
	A1	SEE ECR-17-002929 ADD 2215091-2	28FEB2017	CZ	EP



1	-	-	2215092-2	ASSY TOP TOOL	3
1	1	-	2215093-2	ASSY WALL SUPPORT, QSFP 1X2, GASKET	2
-	1	-	2215092-1	ASSY TOP TOOL	1
-2	-1	U/M	PART NO	DESCRIPTION	ITEM NO

THIS DRAWING IS A CONTROLLED DOCUMENT.		DWN C.Z 20AUG2015	 TE Connectivity		
DIMENSIONS: mm		CHK E.P 20AUG2015			
TOLERANCES UNLESS OTHERWISE SPECIFIED:		APVD V.L 20AUG2015	NAME ASSY SEATING TOOL QSFP28 1X2		
0 PLC ±- 1 PLC ±- 2 PLC ±- 3 PLC ±- 4 PLC ±- ANGLES ±-		PRODUCT SPEC SEE TABLE	RESTRICTED TO		
MATERIAL -		APPLICATION SPEC -	SIZE A3	CAGE CODE 00779	DRAWING NO C-2215091
FINISH -		WEIGHT -	SCALE 1:1 SHEET 1 OF 1 REV A1		
Customer Drawing					