

4

3

2

1

THIS DRAWING IS UNPUBLISHED.

RELEASED FOR PUBLICATION

20

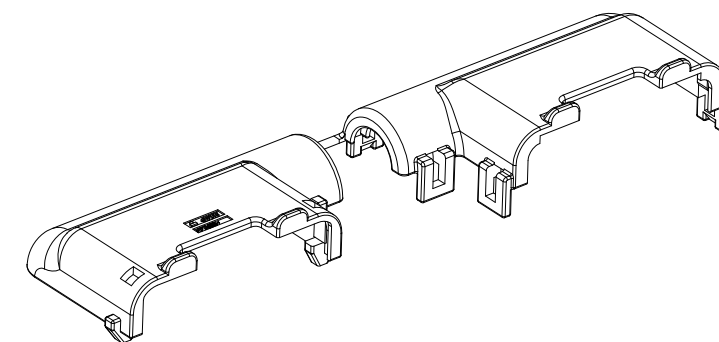
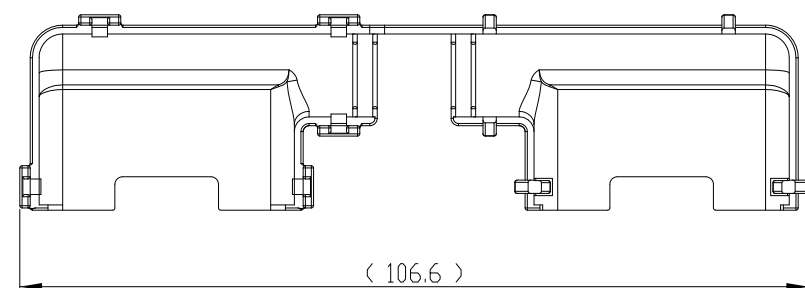
© COPYRIGHT 20 BY -

ALL RIGHTS RESERVED.

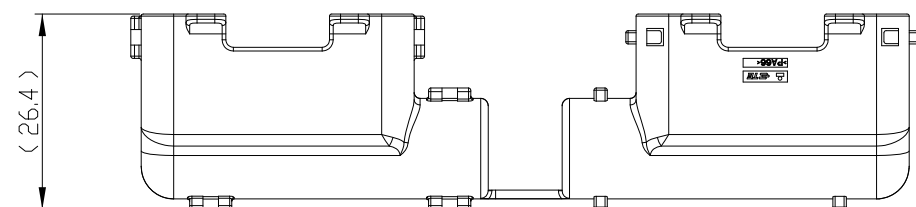
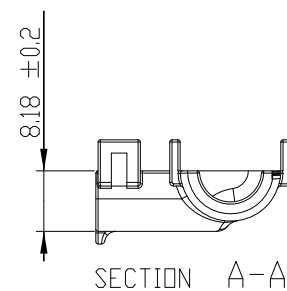
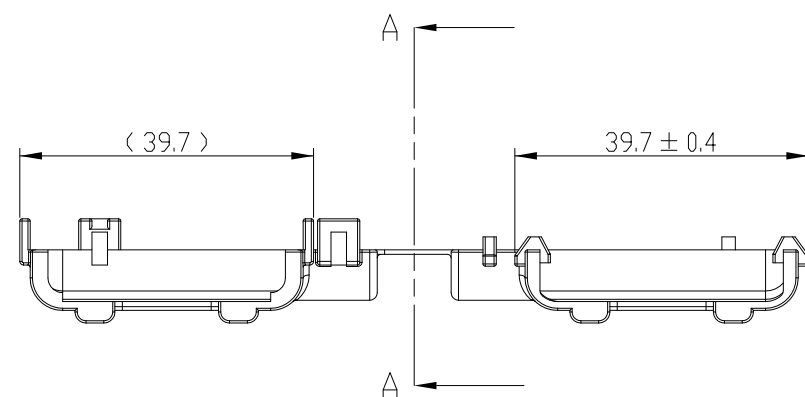
REVISIONS

P	LTR	DESCRIPTION	DATE	DWN	APVD
	A	RELEASED	07.APR'15	J.Y.	HG

<2219201-2>



3D VIEW



NOTES:

- 1. GENERAL TOLERANCE : ±0.3
- 2. APPLICABLE CONNECTOR : X-2203663-X(EXCEPT CPA TYPE)
- 3. APPLICABLE CORRUGATOR DIAMETER : Ø7.0
- 4. APPLICATION TEST SPEC : MS210-06C (EXCEPT 4.4)

2	1-2219201-2	COVER HSG	PA66	BLACK
1	2219201-2	COVER HSG	PA66	BLACK
NO	PART NO.	DESCRIPTION	MATERIAL	COLOR

THIS DRAWING IS A CONTROLLED DOCUMENT.		DWN J.Y. BAE																
DIMENSIONS: mm		CHK KT LIM																
TOLERANCES UNLESS OTHERWISE SPECIFIED:		APVD HG CHO	NAME COVER HOUSING FOR GET 18P PLUG ASS'Y (NONE CPA TYPE)															
<table border="0"> <tr><td>0 PLC</td><td>±</td></tr> <tr><td>1 PLC</td><td>±</td></tr> <tr><td>2 PLC</td><td>±</td></tr> <tr><td>3 PLC</td><td>±</td></tr> <tr><td>4 PLC</td><td>±</td></tr> <tr><td>ANGLES</td><td>±</td></tr> <tr><td>FINISH</td><td>±</td></tr> </table>		0 PLC	±	1 PLC	±	2 PLC	±	3 PLC	±	4 PLC	±	ANGLES	±	FINISH	±	PRODUCT SPEC	SIZE A3	
0 PLC	±																	
1 PLC	±																	
2 PLC	±																	
3 PLC	±																	
4 PLC	±																	
ANGLES	±																	
FINISH	±																	
MATERIAL		APPLICATION SPEC	CAGE CODE 00779	DRAWING NO C-2219201														
		WEIGHT	RESTRICTED TO -															
		CUSTOMER DRAWING	SCALE 1:1	SHEET 1 OF 2														
			REV A															

4

3

2

1

THIS DRAWING IS UNPUBLISHED.

RELEASED FOR PUBLICATION

20

© COPYRIGHT 20 BY -

ALL RIGHTS RESERVED.

REVISIONS

P	LTR	DESCRIPTION	DATE	DWN	APVD
		SEE SHEET 1 OF 2			

&lt;1-2219201-2&gt;

34.5 ± 0.4

(78)

3D VIEW

(34)

(8.18)

6.98 ± 0.2

(39.7)

NOTES:

- GENERAL TOLERANCE : ±0.3
- APPLICABLE CONNECTOR : X-2203663-X(EXCEPT CPA TYPE)
- APPLICABLE CORRUGATOR DIAMETER : Ø7.0
- APPLICATION TEST SPEC : MS210-06C (EXCEPT 4.4)

THIS DRAWING IS A CONTROLLED DOCUMENT.

DWN

CHK

APVD

PRODUCT SPEC

APPLICATION SPEC

WEIGHT

CUSTOMER DRAWING

DIMENSIONS:  
mm

TOLERANCES UNLESS  
OTHERWISE SPECIFIED:

0 PLC	±
1 PLC	±
2 PLC	±
3 PLC	±
4 PLC	±
ANGLES	±
FINISH	

MATERIAL

SEE SHEET 1 OF 2

TE Connectivity

NAME

COVER HOUSING  
FOR GET 18P PLUG ASS'Y  
(STRAIGHT AND NONE CPA TYPE)

SIZE

CAGE CODE

DRAWING NO

RESTRICTED TO

A3

00779

C-2219201

-

SCALE 1:1

SHEET 2 OF 2

REV A

1470-19 (3/13)