

4

3

2

1

THIS DRAWING IS UNPUBLISHED.

RELEASED FOR PUBLICATION

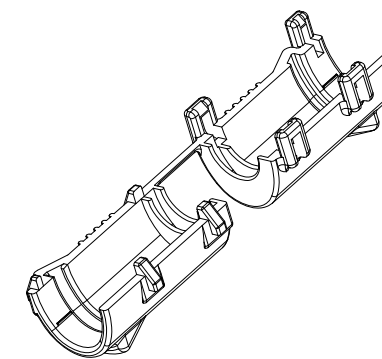
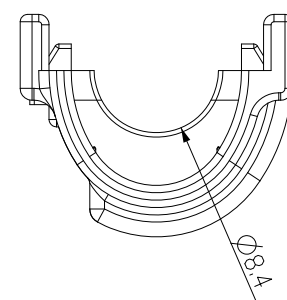
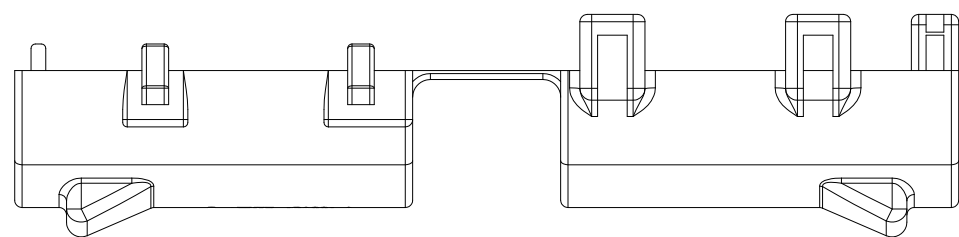
20

© COPYRIGHT 20 BY -

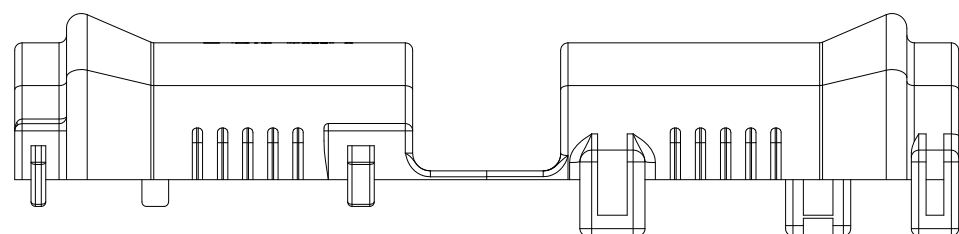
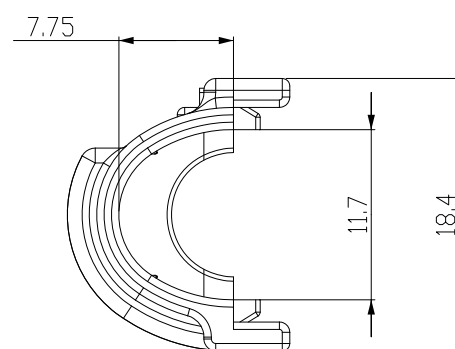
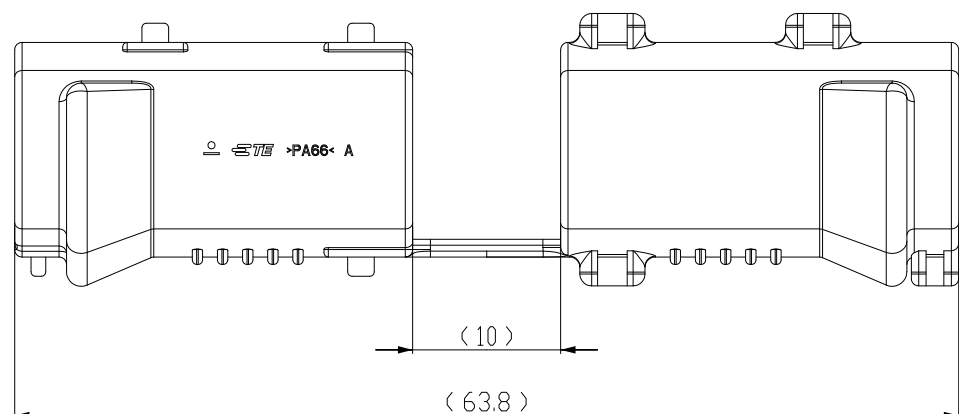
ALL RIGHTS RESERVED.

REVISIONS

P	LTR	DESCRIPTION	DATE	DWN	APVD
	A	RELEASED	26.FEB'15	DG	HG



SCALE 1:1
3D VIEW



- NOTES
 1. GENERAL TOLERANCE : ±0.3, ±3°
 2. APPLICABLE REC. CONNECTOR ASS'Y :2005372
 3. CORRUGATE TUBE : Ø7

COLOR	MATERIAL	DESCRIPTION	P/N	REV
BLACK	PA66	COVER	2219369-2	1
GRAY	PA66	COVER	2219369-3	1

THIS DRAWING IS A CONTROLLED DOCUMENT.

DWN DG JEONG

CHK KT LIM

APVD HG CHO

PRODUCT SPEC

APPLICATION SPEC

WEIGHT -

CUSTOMER DRAWING



NAME

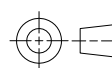
WIRE COVER
FOR MT-II 6P PLUG ASS'Y

SIZE A3 CAGE CODE 00779 DRAWING NO. C-2219369 RESTRICTED TO -

SCALE 2:1 SHEET 1 OF 1 REV A

DIMENSIONS: mm

TOLERANCES UNLESS OTHERWISE SPECIFIED:



- 0 PLC ±
- 1 PLC ±
- 2 PLC ±
- 3 PLC ±
- 4 PLC ±
- ANGLES ±
- FINISH -

MATERIAL -

FINISH -