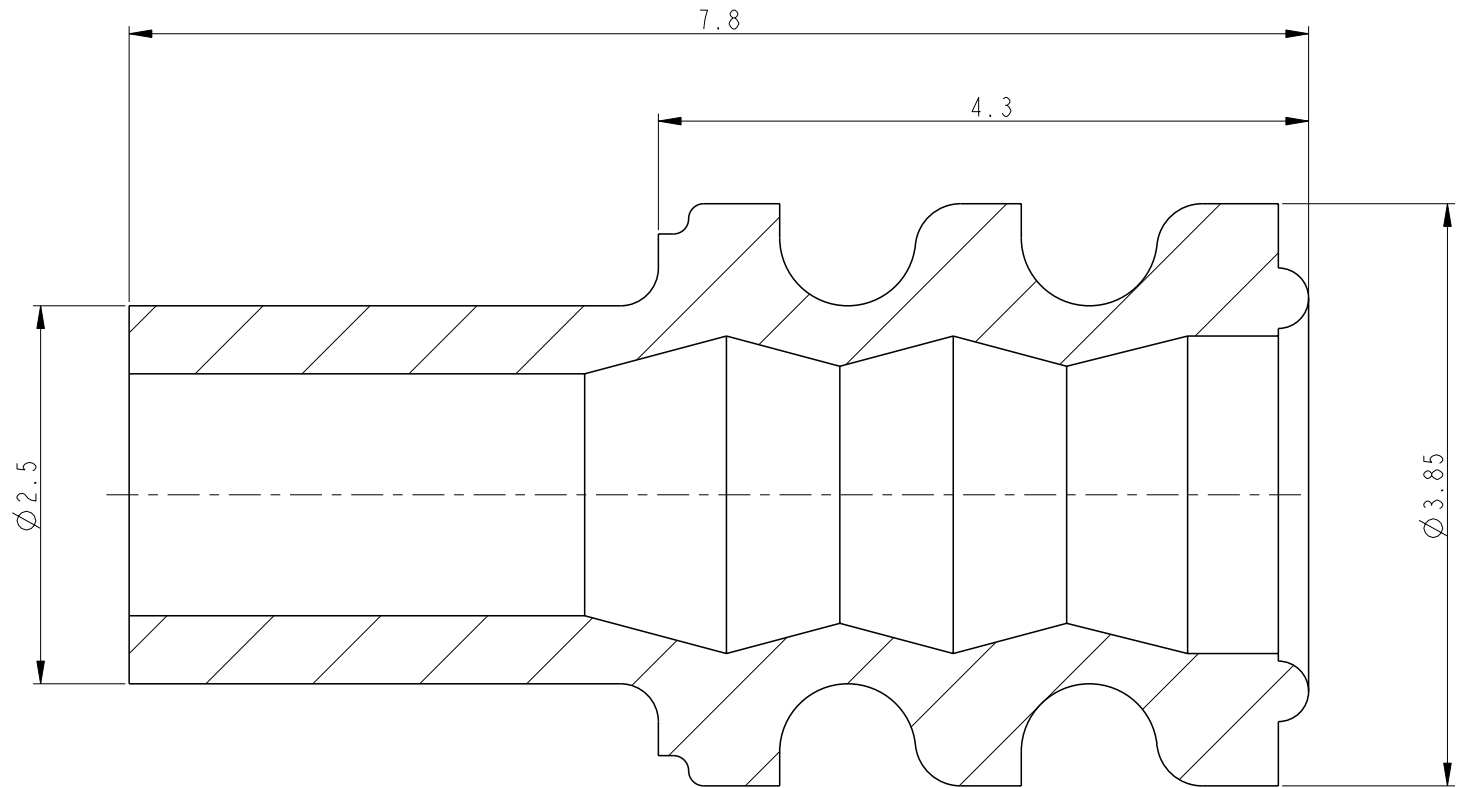
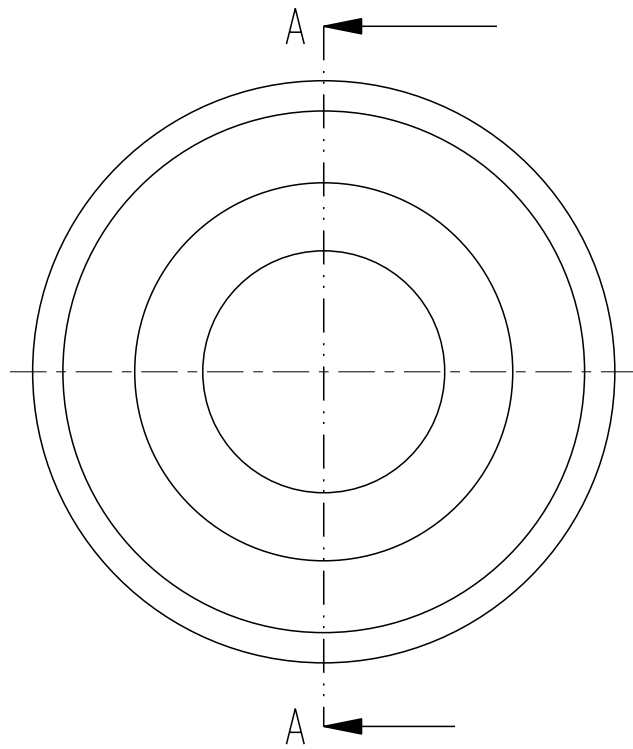


REVISIONS

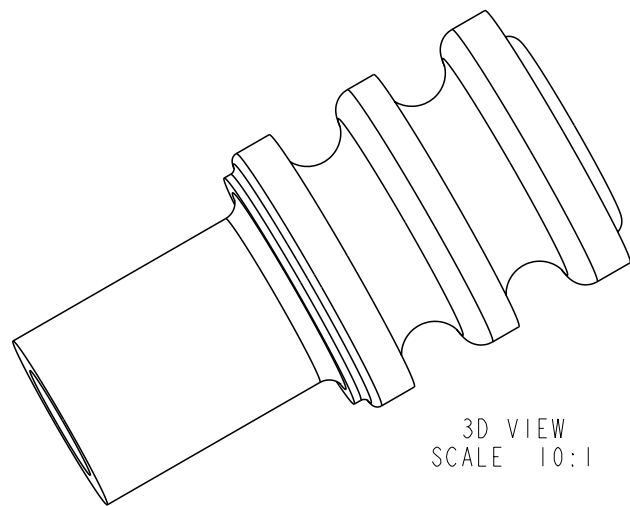
P	LTR	DESCRIPTION	DATE	DWN	APVD
	AI	ECR(XX-XXXXXX)	18AUG2017	HH	YJ
	A	RELEASED	05SEP'14	KT	HG



NOTE


SECTION A-A

1. GENERAL TOLERANCE:  $\pm 0.3$ ,  $\pm 3^\circ$
2. SUITABLE FOR WIRE INSULATION DIA.:  $\varnothing 2.1-2.4\text{mm}$
3. SUITABLE FOR HOUSING CAVITY DIA.:  $\varnothing 3.5-3.55\text{mm}$



BROWN	SILICONE	SINGLE WIRE SEAL	2219708-4
COLOR	MATERIAL	DESCRIPTION	P/N

THIS DRAWING IS A CONTROLLED DOCUMENT.	
DIMENSIONS: mm	TOLERANCES UNLESS OTHERWISE SPECIFIED: 0 PLC $\pm$ 1 PLC $\pm$ 2 PLC $\pm$ 3 PLC $\pm$ 4 PLC $\pm$ ANGLES $\pm$
MATERIAL -	FINISH -
material_2	finish_spec_2

DWN KT JUNG	 TE Connectivity
CHK KT LIM	
APVD HG CHO	
PRODUCT SPEC -	
APPLICATION SPEC -	NAME SINGLE WIRE SEAL INSULATION DIA.: 2.1-2.4MM
WEIGHT -	SIZE A3
CUSTOMER DRAWING	CAGE CODE 00779
	DRAWING NO C=2219708
	RESTRICTED TO -
	SCALE 20:1
	SHEET 1 OF 1
	REV AI