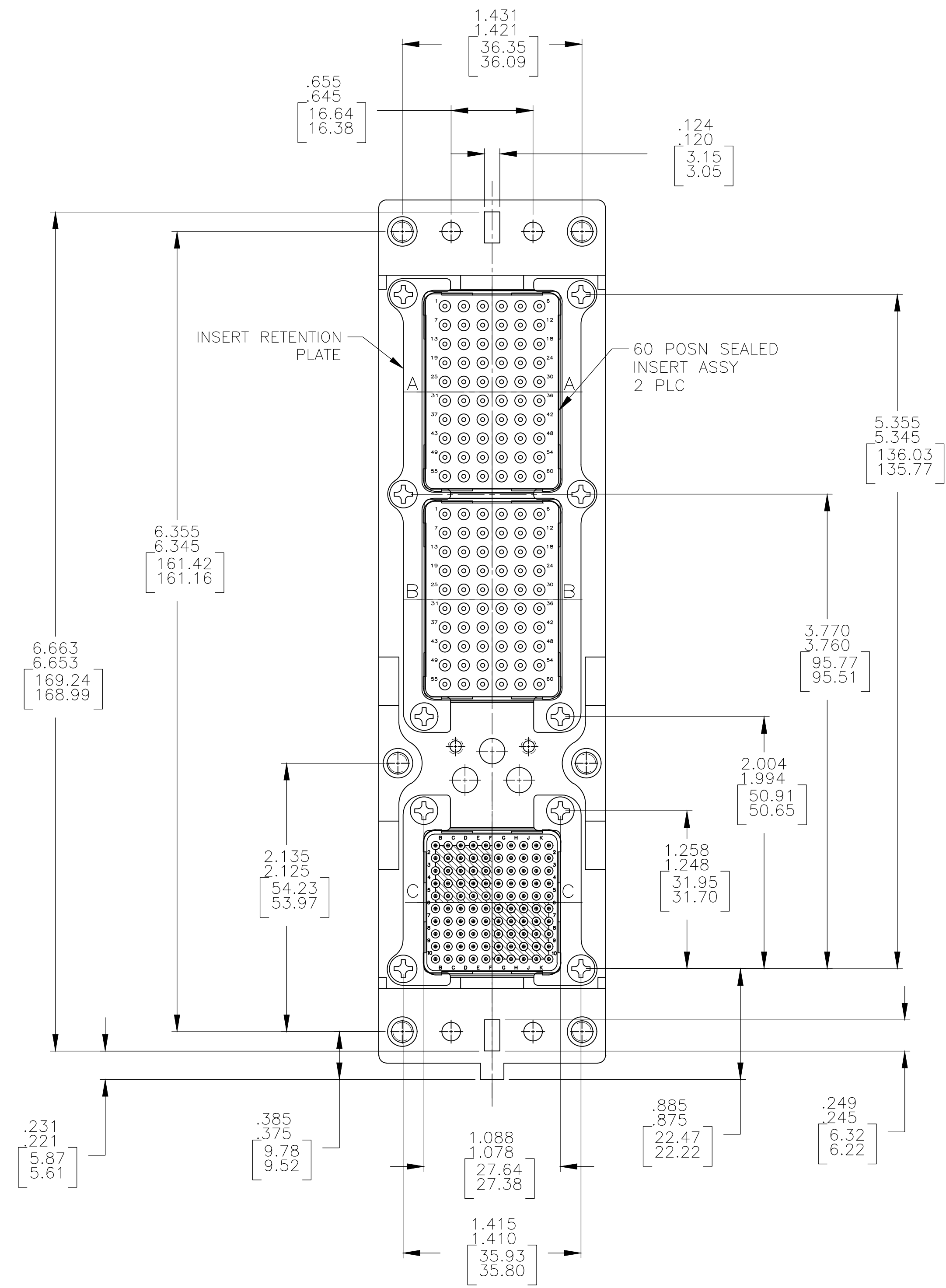
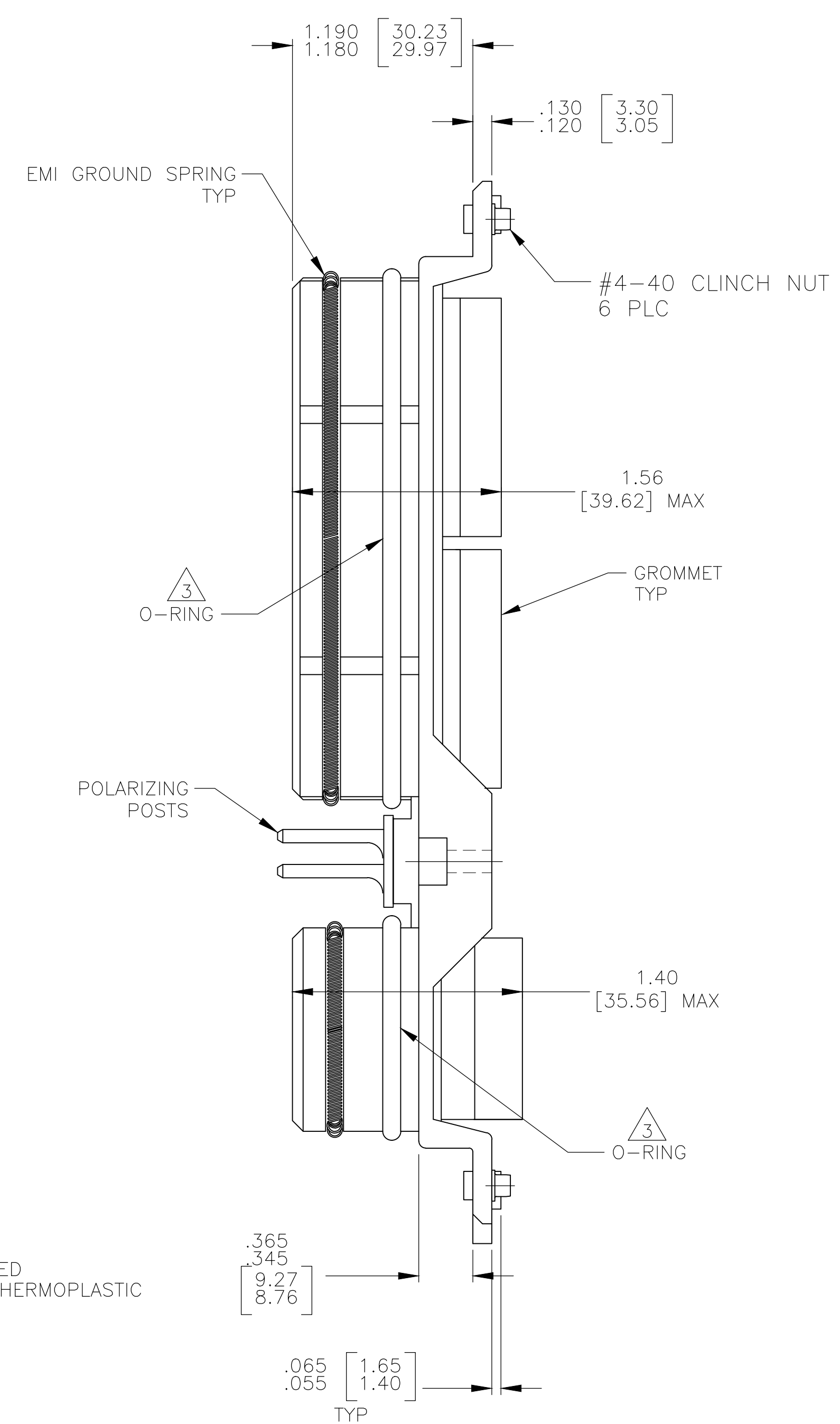
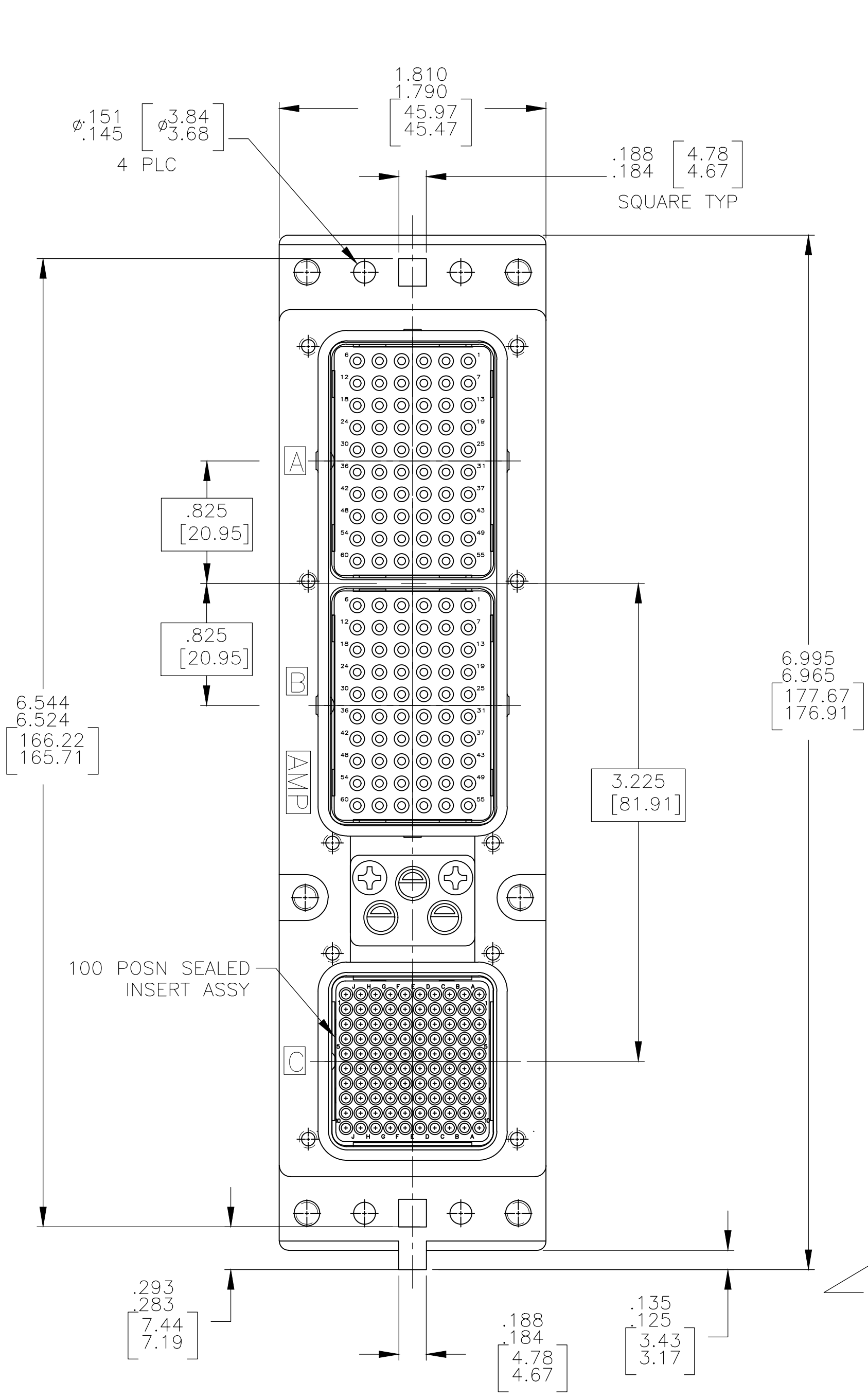


REVISIONS					
P	LTR	DESCRIPTION	DATE	DMN	APVD
C	REVISED PER	ECO-17-015513	19DEC2017	PHM	CT



- CONNECTOR DIMENSIONS ARE PER ARINC 600 SPECIFICATION
- KEYING SHOWN IN POSITION "01" FOR REFERENCE ONLY. CONNECTORS SHIPPED WITH KEYING INSTALLED IN POSITION PER TABLE FOR POSITION "00" KEYING SHIPPED UNASSEMBLED.
- O-RING LUBRICATED WITH PARKER SUPER O-RING-LUBE OR ENGINEERING APPROVED EQUIVALENT.

COMPONENT	MATERIAL	FINISH
SHELL	DIE CAST ALUMINUM PER ASTM-B-85	ELECTROLESS NICKEL PER MIL-C-26074
RETENTION PLATES	ALUMINUM ALLOY PER ASTM-B-209	ELECTROLESS NICKEL PER MIL-C-26074
SCREWS	STEEL OR STAINLESS STEEL	PASSIVATED
POLARIZING POSTS	ZINC ALLOY PER ASTM-B-86	ELECTROLESS NICKEL PER MIL-C-26074
INSERTS	THERMOSET	-
EMI GROUND SPRING	BERYLLIUM COPPER 172 (ALLOY 29)	ELECTRODEPOSITED NICKEL PER QQ-N-290
GROMMET	FLUOROSILICONE	-
POLARIZING POST RETAINING PLATE	ALUMINUM ALLOY PER ASTM-B-209	BLUE ANODIZED PER MIL-A-8625

KEYING POSITION	CONTACTS INCLUDED NOT INSTALLED	PART NUMBER
"00"	MODULE A 208267-2 (SIZE 20 SOCKET CONTACT; QTY=60) MODULE B 208267-2 (SIZE 20 SOCKET CONTACT; QTY=60) MODULE C 208262-3 (SIZE 22 PIN CONTACT; QTY=100)	2221548-1

THIS DRAWING IS A CONTROLLED DOCUMENT.		DMN C.C.THOMAS 11-9-12	TE Connectivity
DIMENSIONS: INCHES		CHK W.BERNHART 11-9-12	
TOLERANCES UNLESS OTHERWISE SPECIFIED:		APVD W.BERNHART 11-9-12	NAME PLUG ASSY, SIZE 2, ARINC 600, (60/60/100)
0 PLC	± .005	PRODUCT SPEC	APPLICATION SPEC
1 PLC	± .005	APPLICATION SPEC	APPLICATION SPEC
2 PLC	± .005	APPLICATION SPEC	APPLICATION SPEC
3 PLC	± .005	APPLICATION SPEC	APPLICATION SPEC
4 PLC	± .005	APPLICATION SPEC	APPLICATION SPEC
ANGLES	± .005	APPLICATION SPEC	APPLICATION SPEC
MATERIAL SEE TABLE	FINISH SEE TABLE	WEIGHT	RESTRICTED TO
CUSTOMER DRAWING		A1 00779 C=2221548	SCALE 3:2 SHEET 1 OF 1 REV C