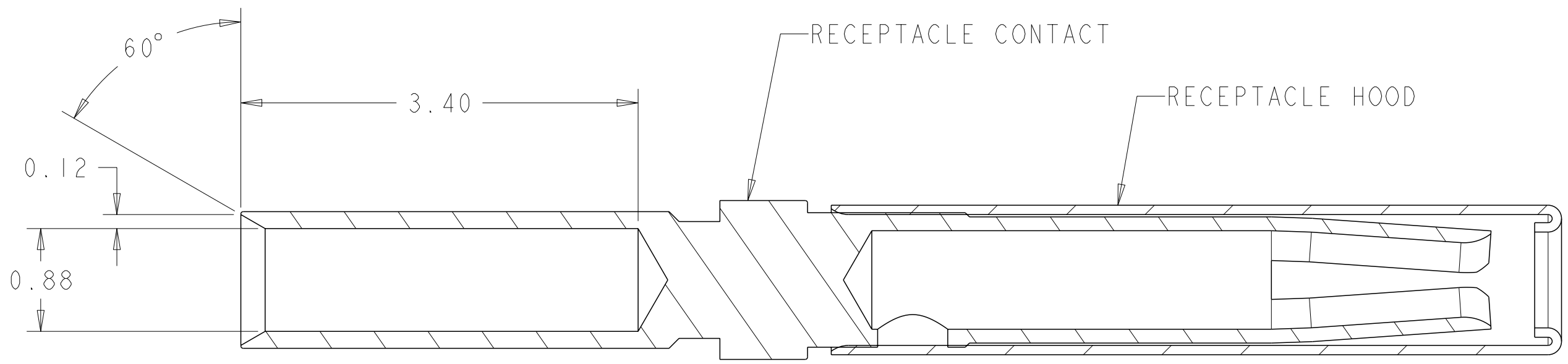
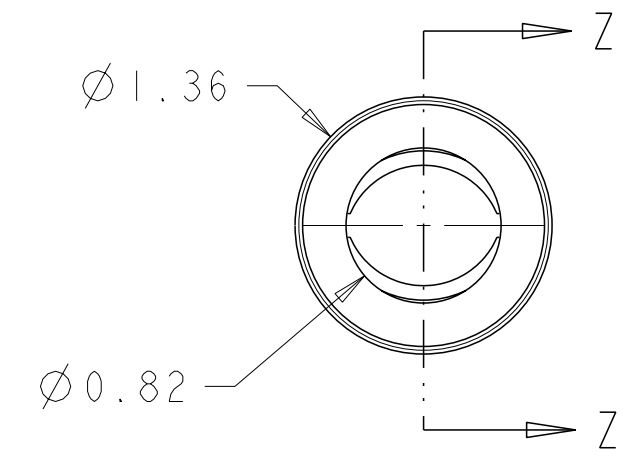
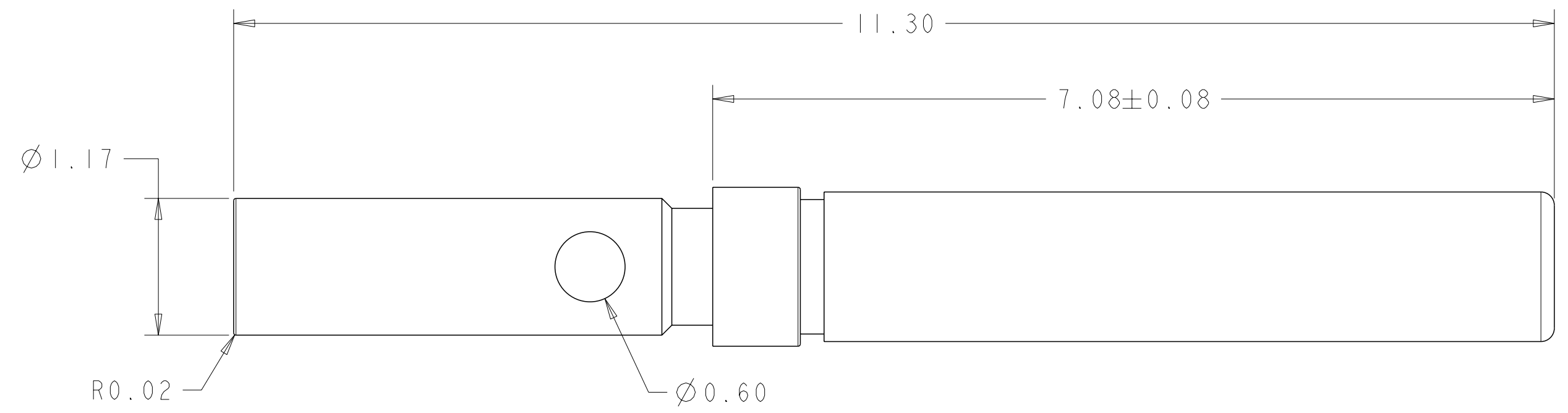


THIS DRAWING IS UNPUBLISHED. RELEASED FOR PUBLICATION 20
 © COPYRIGHT 20 BY - ALL RIGHTS RESERVED.

REVISIONS					
P	LTR	DESCRIPTION	DATE	DWN	APVD
B		REV PER ECO 21-003874	3-24-21	CT	DM
C		REVISED PER ECO-21-007302	08JUL2021	LN	DM



SECTION Z-Z



- 1 MATERIAL;
 RECEPTACLE CONTACT: COPPER ALLOY.
 RECEPTACLE HOOD: STAINLESS STEEL.
- 2 FINISH;
 RECEPTACLE CONTACT: 1.27µm GOLD PER ASTM B488 TYPE II CODE C CLASS 1.25
 OVER 1.27-2.54µm NICKEL PER QQ-N-290 CLASS 2.
 RECEPTACLE HOOD: PASSIVATED PER AMS-QQ-P-35.

2226923-1
 PART NO

THIS DRAWING IS A CONTROLLED DOCUMENT.		DWN L.SIPE 04FEB2014	TE Connectivity		
DIMENSIONS: mm		CHK C.YI 14FEB2014			
TOLERANCES UNLESS OTHERWISE SPECIFIED:		APVD C.YI 14FEB2014	NAME HOODED SOCKET CONTACT SIZE 23 NETT WARRIOR		
0 PLC ±- 1 PLC ±- 2 PLC ±0.05 3 PLC ±- 4 PLC ±- ANGLES ±- FINISH		PRODUCT SPEC -	SIZE A2	CAGE CODE -	DRAWING NO G-2226923
MATERIAL 1		APPLICATION SPEC -	WEIGHT -	RESTRICTED TO -	
		CUSTOMER DRAWING	SCALE 25:1	SHEET 1	OF 1
				REV C	