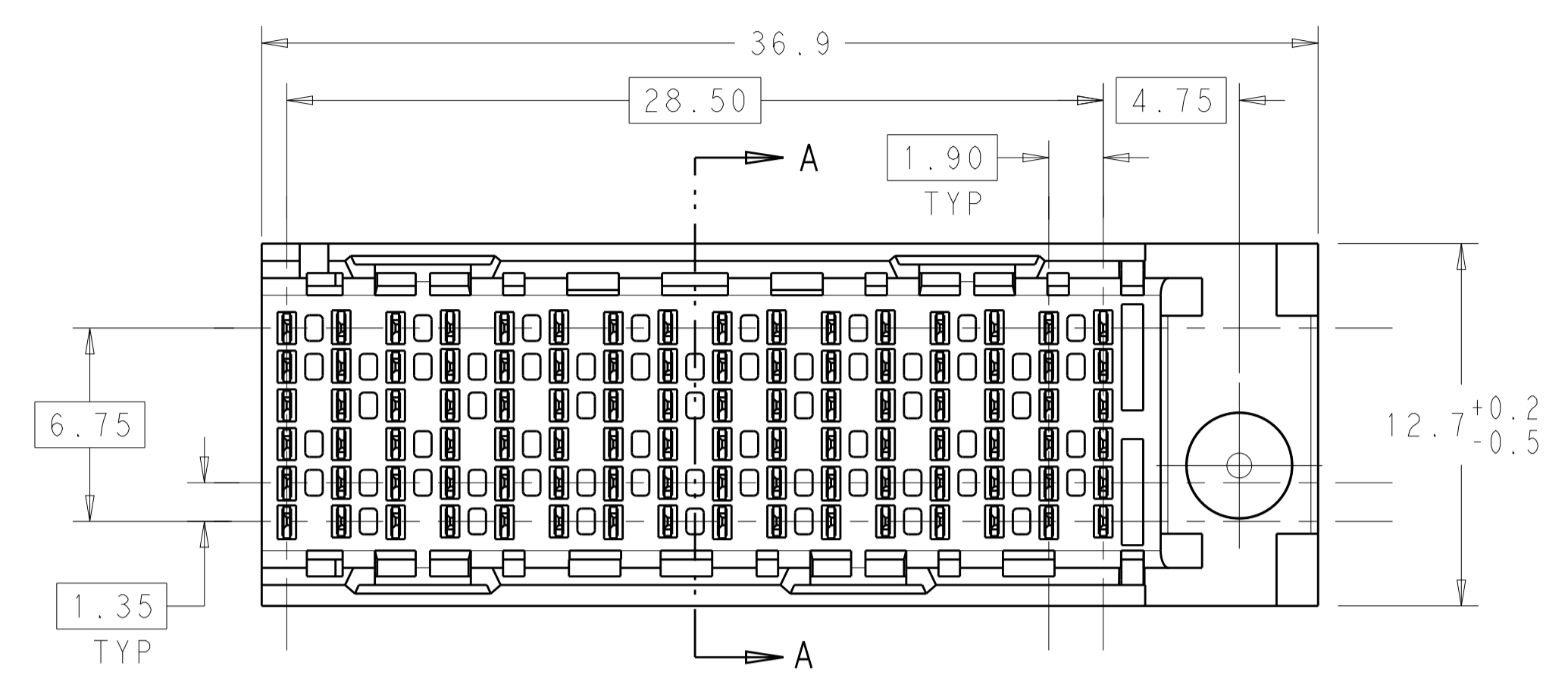
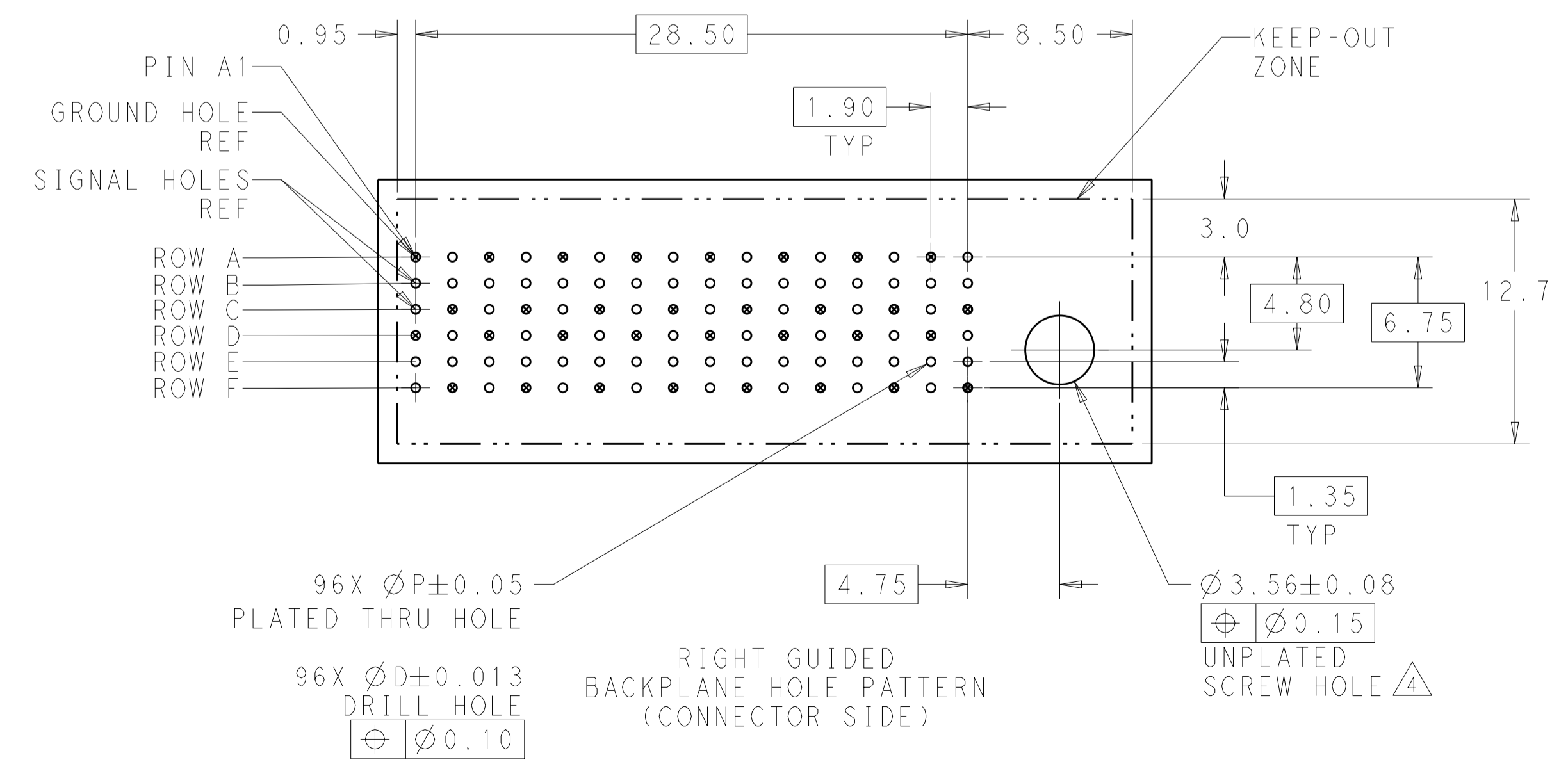
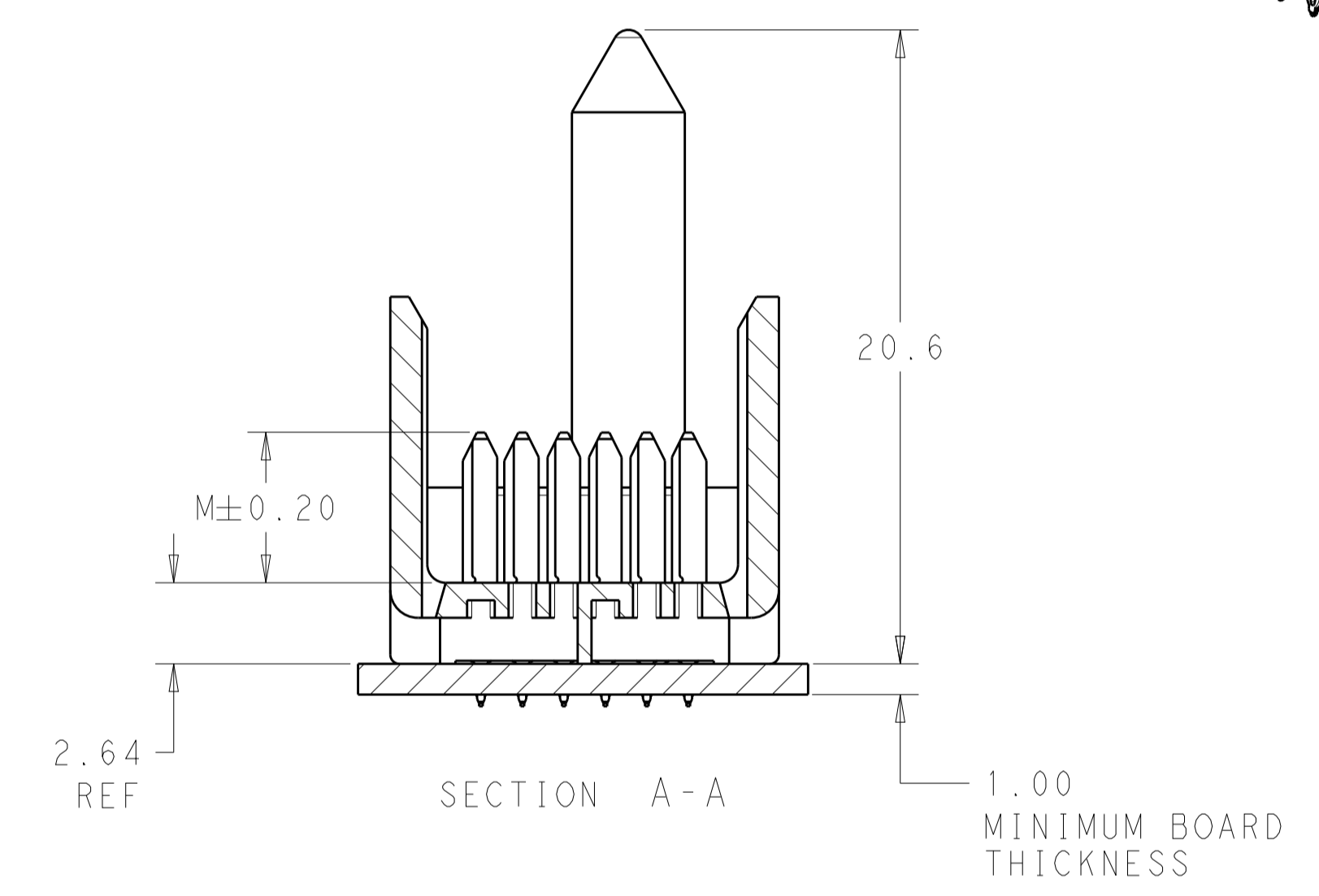
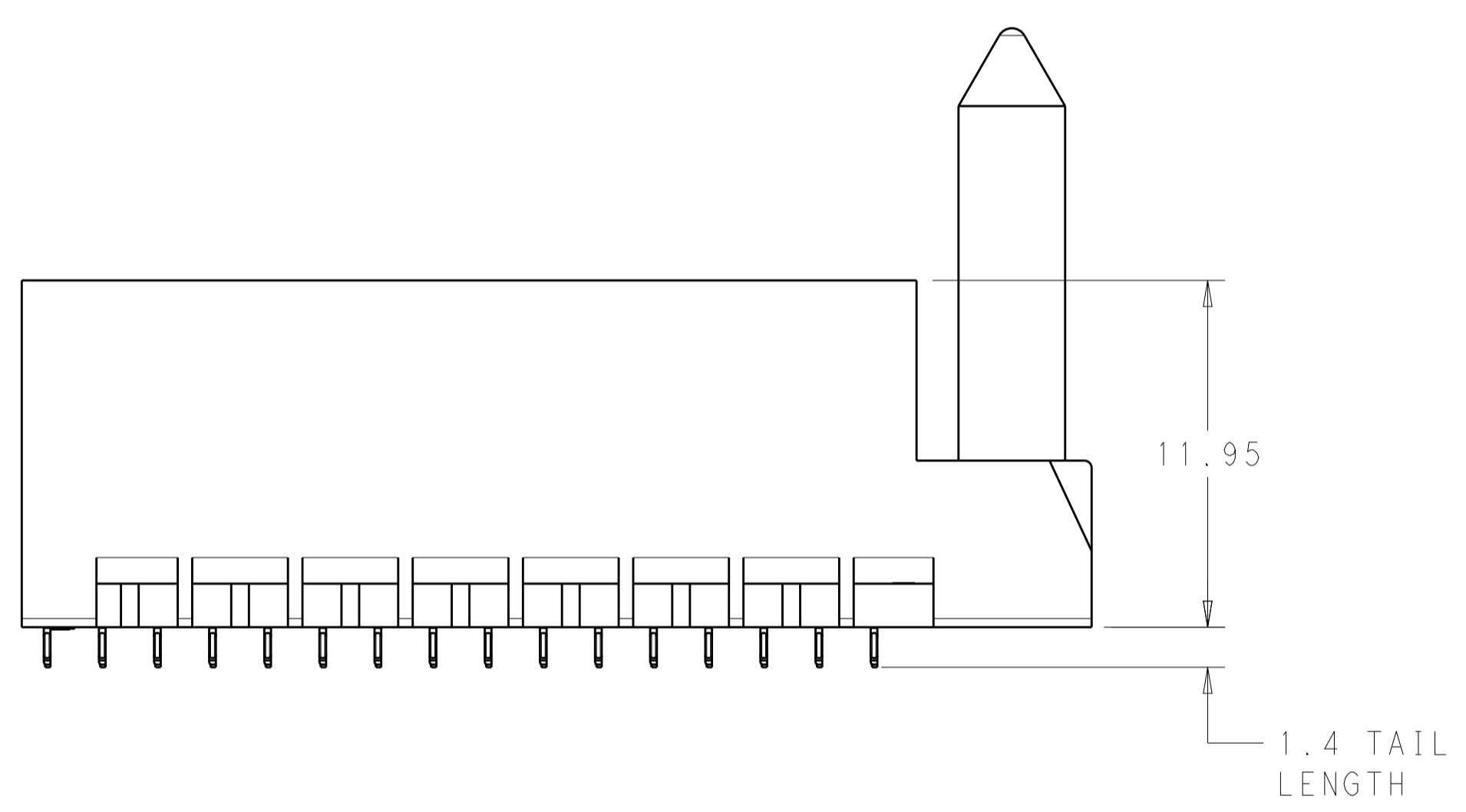
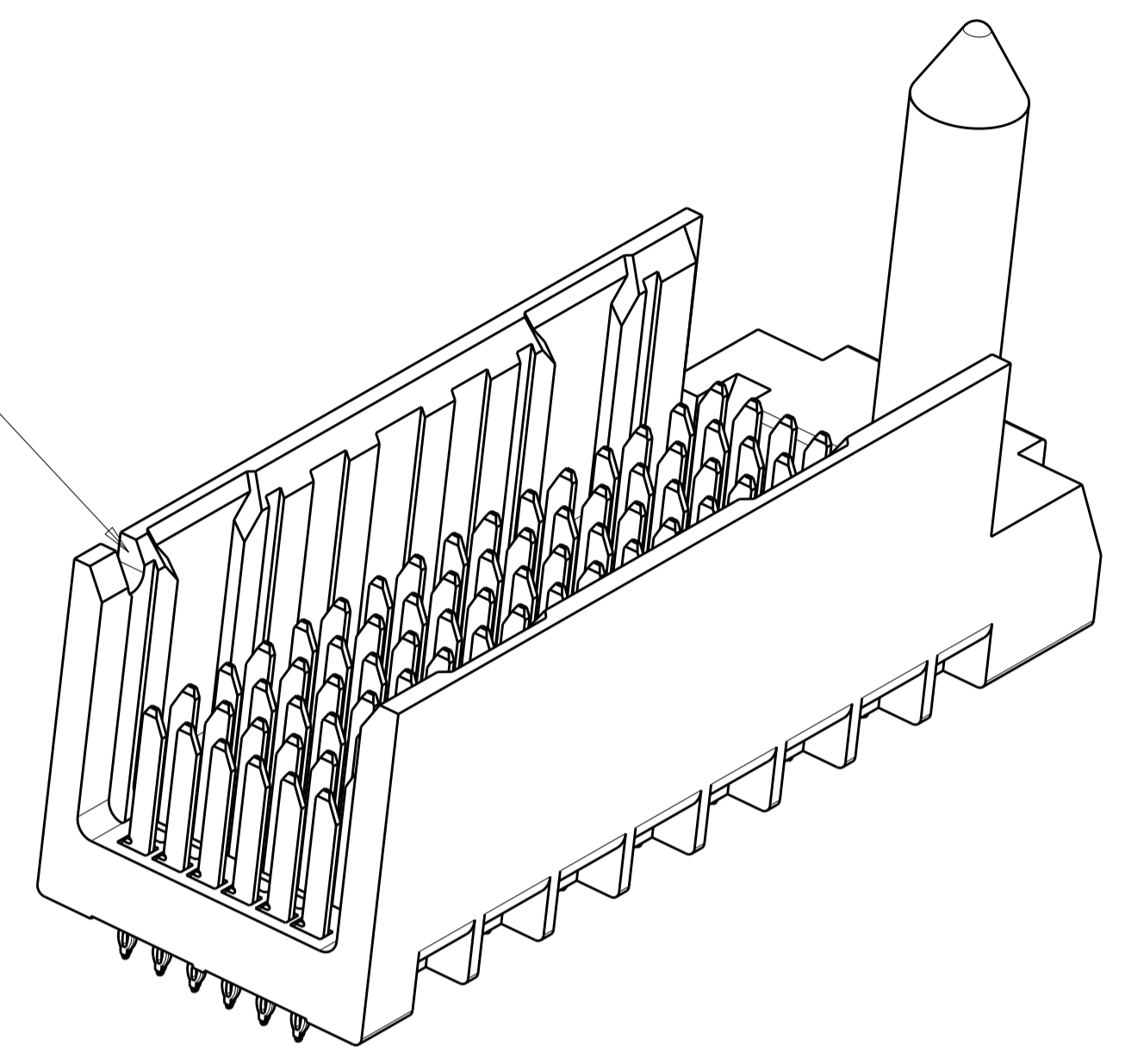


LOC		DIST		REVISIONS			
AD	00	P	LTH	DESCRIPTION	DATE	DWN	APVD
		A1		REVISED PER ECO-15-004792	31MAR2015	AP	DD



NOTCH DESIGNATES ROW A




THIS DRAWING IS A CONTROLLED DOCUMENT.		DWN AJITH PAI 16MAY2014	TE Connectivity
DIMENSIONS:		CHK D. DIXON 16MAY2014	
TOLERANCES UNLESS OTHERWISE SPECIFIED:		APVD D. DIXON 16MAY2014	NAME IMPACT, 85 OHM, STANDARD, 2 PAIR PLUS, 16 COLUMN HEADER, RIGHT GUIDED, OPEN ENDWALL, SIGNAL MODULE
mm	0 PLC ±	PRODUCT SPEC	SIZE CAGE CODE DRAWING NO RESTRICTED TO
	1 PLC ±0.25	APPLICATION SPEC	A100779C=2227087
	2 PLC ±0.13	WEIGHT	SCALE 5:1 SHEET 1 OF 2 REV A1
	3 PLC ±	CUSTOMER DRAWING	
	4 PLC ±		
	ANGLES ±		
MATERIAL	FINISH SEE TABLE		

LOC	DIST	REVISIONS					
		P	LTN	DESCRIPTION	DATE	DWN	APVD
AD	00	-	-	SEE SHEET 1	-	-	-

- ① MATERIAL:  
HOUSING: LCP, GLASS FILLED, UL94V-0.  
TERMINALS: HIGH PERFORMANCE COPPER ALLOY.
- ② FINISH:  
30μ" MIN GOLD IN CONTACT AREA. SELECTIVE TIN  
ON PCB TAILS, NICKEL OVERALL.
- 3. SCREWS PACKAGED IN END OF PACKAGING TUBE.
- ④ FOR GROUNDED GUIDE PIN USE Ø3.56±0.08 PTH,  
Ø3.66 DRILL, AND Ø6.5 PAD.
- 5. KEYING PIN SHOWN IN POSITION A, SEE KEYING CHART  
ON SHEET 2 FOR OTHER POSITIONS.

0.55	0.46	5.5	2227087-6
0.55	0.46	4.9	2227087-5
0.55	0.46	4.5	2227087-4
0.48	0.39	5.5	2227087-3
0.48	0.39	4.9	2227087-2
0.48	0.39	4.5	2227087-1
D DRILL HOLE SIZE	P PLATED THROUGH HOLE SIZE	M POST LENGTH	PART NUMBER

REFER TO WWW.TE.COM  
FOR PRODUCT AVAILABILITY

THIS DRAWING IS A CONTROLLED DOCUMENT.		DWN AJITH PAI 16MAY2014		
		CHK D. DIXON 16MAY2014		
DIMENSIONS:		APVD D. DIXON 16MAY2014	NAME	
mm	TOLERANCES UNLESS OTHERWISE SPECIFIED:	PRODUCT SPEC		
0 PLC ±	0.25	APPLICATION SPEC		
2 PLC ±0.13		SIZE		
3 PLC ±		CAGE CODE		
4 PLC ±		DRAWING NO		
ANGLES ±		RESTRICTED TO		
FINISH SEE TABLE		WEIGHT		
		A100779C=2227087		
		CUSTOMER DRAWING		
		SCALE 5:1 SHEET 2 OF 2 REV A1		