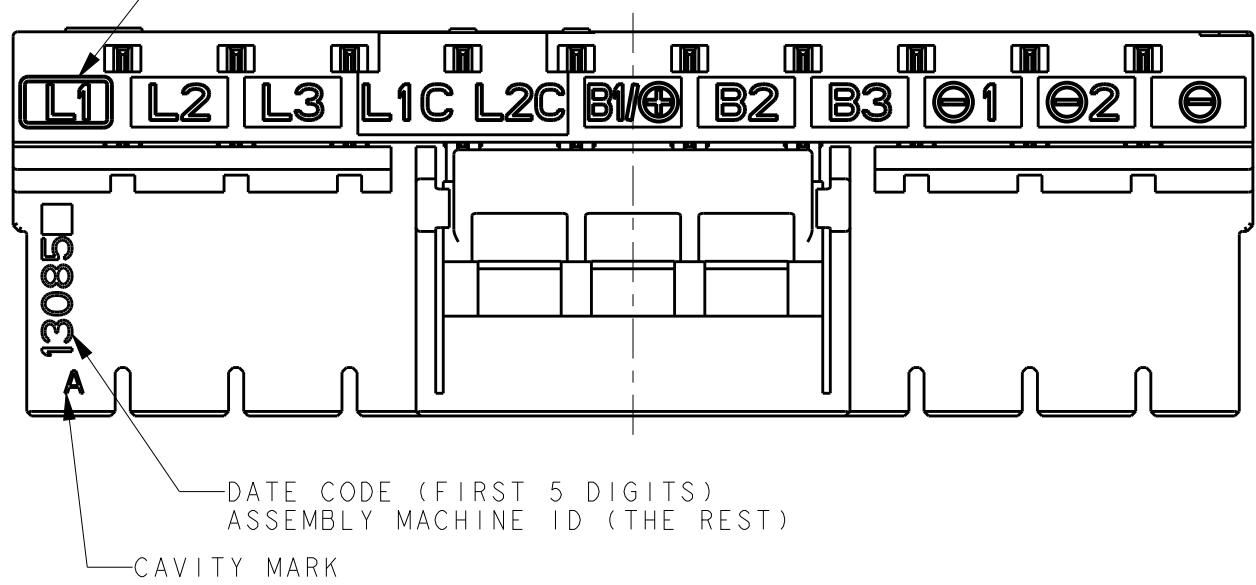
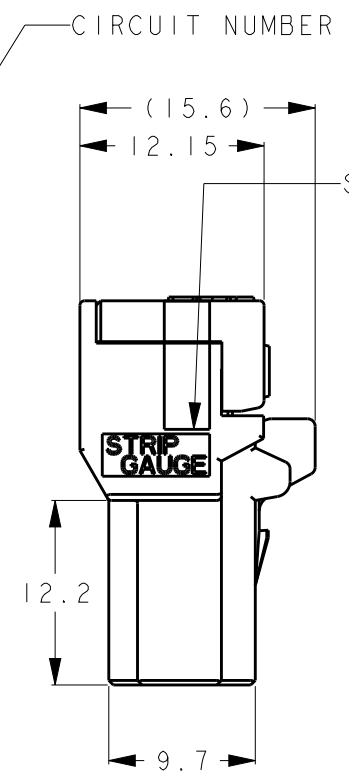
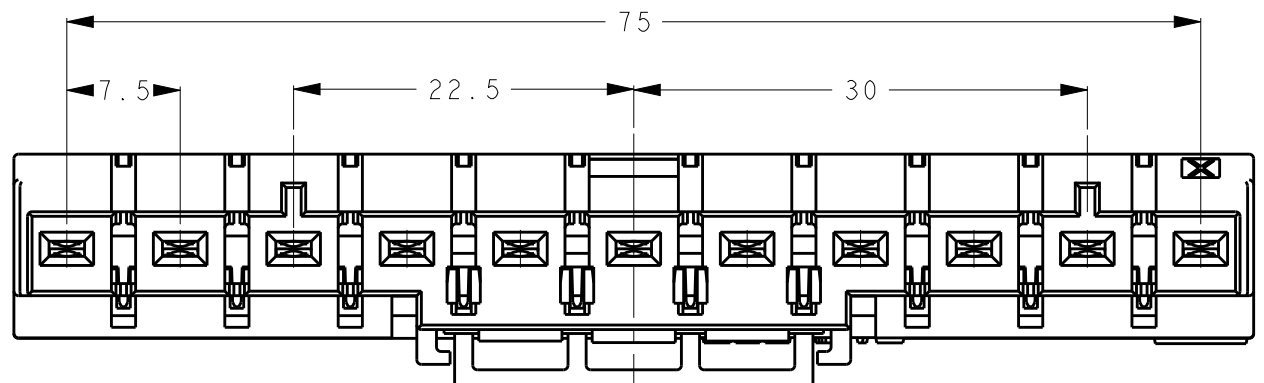
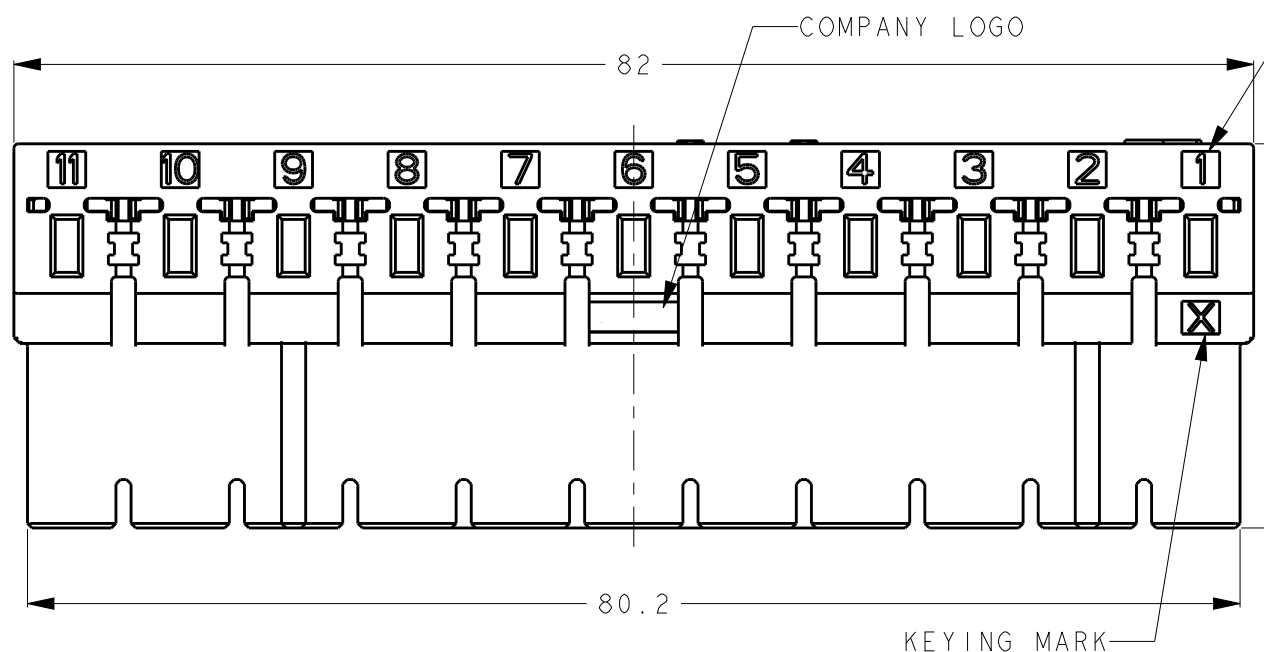
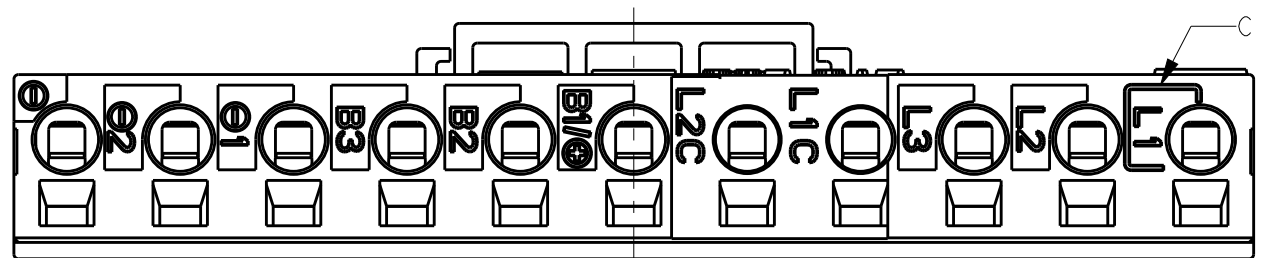


LOC	DIST	REVISIONS					
		P	LTR	DESCRIPTION	DATE	DWN	APVD
J	-		A	REVISED	08NOV2013	Y.O	N.Y
			B	REVISED	12JUN2018	K.T	E.I
			D	REVISED	31JUL2019	K.T	E.I




- 1 MATERIAL
 HOUSING: THERMO PLASTICS
 CONTACT: COPPER ALLOY
 SPRING: STAINLESS
- 2 PLATING
 CONTACT POINT: UNDER Ni PLATING, OVER Au PLATING.
 WIRE CLAMPING POINT: UNDER Ni PLATING, OVER Tin PLATING.

- 1 材料
 ハウジング: 熱可塑性ポリエステル
 コンタクト(内部): 銅合金
 スプリング(内部): ステンレス
- 2 めっき
 コンタクト接点部: ニッケル下地めっき上に金めっき
 コンタクト電線クランプ部: ニッケル下地めっき上に錫めっき

	Y	7	1-2229794-2
	X	11	1-2229794-1
OBSOLETE	X	3	8-2229794-1
	X	3	3-2229794-1
	キーイング KEYING	極数 POS	型番 PART NUMBER

1-2229794-1 (11 POSN KEYING: X) BLACK

THIS DRAWING IS A CONTROLLED DOCUMENT.		DWN Y. OKADA 20FEB2013	 TE Connectivity NAME DYNAMIC D3950 RECEPTACLE ASSEMBLY		
DIMENSIONS: 単位: 耗 mm		CHK S. YAMADA 20FEB2013			
TOLERANCES UNLESS OTHERWISE SPECIFIED: 一般公差 ±0.3		APVD N. YAMASAKI 20FEB2013	PRODUCT SPEC 製品規格 108-78997		
0 PLC ±		APPLICATION SPEC 取付適用規格 411-78272	DRAWING NO 番号 A300779C-2229794		
1 PLC ±0.5			RESTRICTED TO		
2 PLC ±0.13			SCALE 尺度 2:1		
3 PLC ±0.013			SHEET 1 OF 3		
4 PLC ±0.000J		REV D			
ANGLES ±5		CUSTOMER DRAWING			
MATERIAL 材料 SEE NOTE		FINISH 仕上 SEE NOTE		WEIGHT -	

4

3

2

1

THIS DRAWING IS UNPUBLISHED.

RELEASED FOR PUBLICATION


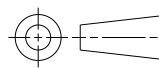
XXXXX2011

© COPYRIGHT 2011 BY Tyco Electronics Japan G.K. ALL RIGHTS RESERVED.

LOC	DIST	REVISIONS 変更			
P	LTR	DESCRIPTION	DATE	DWN	APVD
J	-	SEE SHEET 1			

—コンタクト無し
NO CONTACT

1-2229794-2 (7POSN KEYING:Y) BLACK

THIS DRAWING IS A CONTROLLED DOCUMENT.		DWN Y. OKADA 20FEB2013	 TE Connectivity	
DIMENSIONS: 単位: ㎜		CHK S. YAMADA 20FEB2013		
TOLERANCES UNLESS OTHERWISE SPECIFIED: 一般公差 ±0.3		APVD N. YAMASAKI 20FEB2013	NAME 名称 DYNAMIC D3950 RECEPTACLE ASSEMBLY	
		PRODUCT SPEC 製品規格 108-78997	SIZE A300779	
MATERIAL 材料 SEE NOTE		APPLICATION SPEC 取付適用規格 411-78272	DRAWING NO 番号 C-2229794	
FINISH 仕上 SEE NOTE		WEIGHT -	RESTRICTED TO -	
CUSTOMER DRAWING		SCALE 尺度 1:1	SHEET 2 OF 3	
				REV D

1470-19 (3/11)

4

3

2

1

THIS DRAWING IS UNPUBLISHED.

RELEASED FOR PUBLICATION

XXXX2011

© COPYRIGHT 2011

BY Tyco Electronics Japan G.K.

ALL RIGHTS RESERVED.

LOC
JDIST
-

REVISIONS

変更

P	LTR	DESCRIPTION	DATE	DWN	APVD
		SEE SHEET 1			

3-2229794-1 (3極 キーイングX) BLACK

THIS DRAWING IS A CONTROLLED DOCUMENT.

DIMENSIONS:
単位: 概
mm

TOLERANCES UNLESS
OTHERWISE SPECIFIED:

一般公差	±0.3
0-PLC	±
1-PLC	±0.5
2-PLC	±0.13
3-PLC	±0.013
4-PLC	±0.0001
ANGLES	±5

MATERIAL
材料 SEE NOTEFINISH
仕上 SEE NOTEDWN
Y. OKADA 20FEB2013CHK
S. YAMADA 20FEB2013APVD
N. YAMASAKI 20FEB2013PRODUCT SPEC
製品規格
108-78997APPLICATION SPEC
取付適用規格
411-78272WEIGHT
-

CUSTOMER DRAWING

NAME
名称
DYNAMIC D3950
RECEPTACLE ASSEMBLYSIZE
A3
CAGE CODE
300779
DRAWING NO
C=2229794RESTRICTED TO
-SCALE
尺度 2:1

SHEET 3 OF 3

REV D

1470-19 (3/11)