

THIS DRAWING IS UNPUBLISHED.

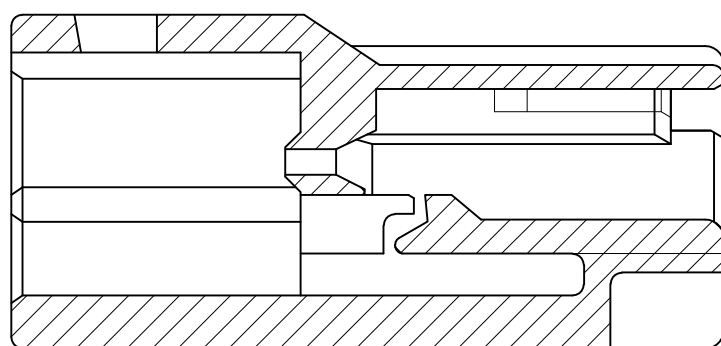
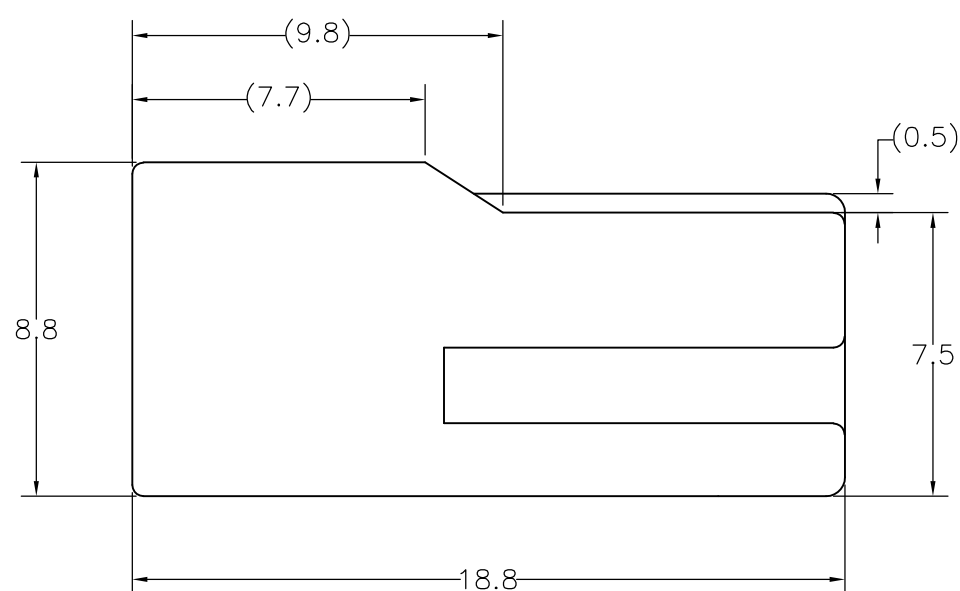
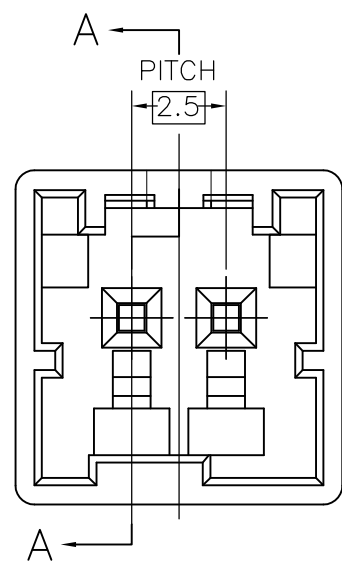
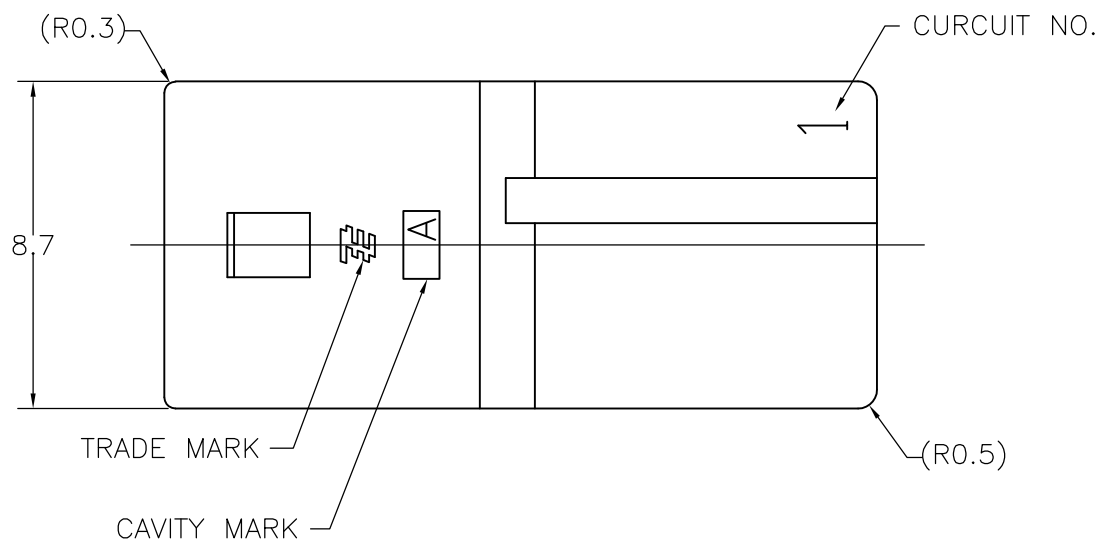
RELEASED FOR PUBLICATION

REVISIONS

© COPYRIGHT - Tyco Electronics JAPAN G.K.

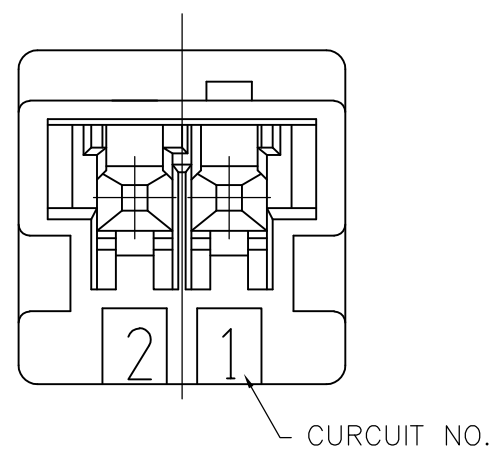
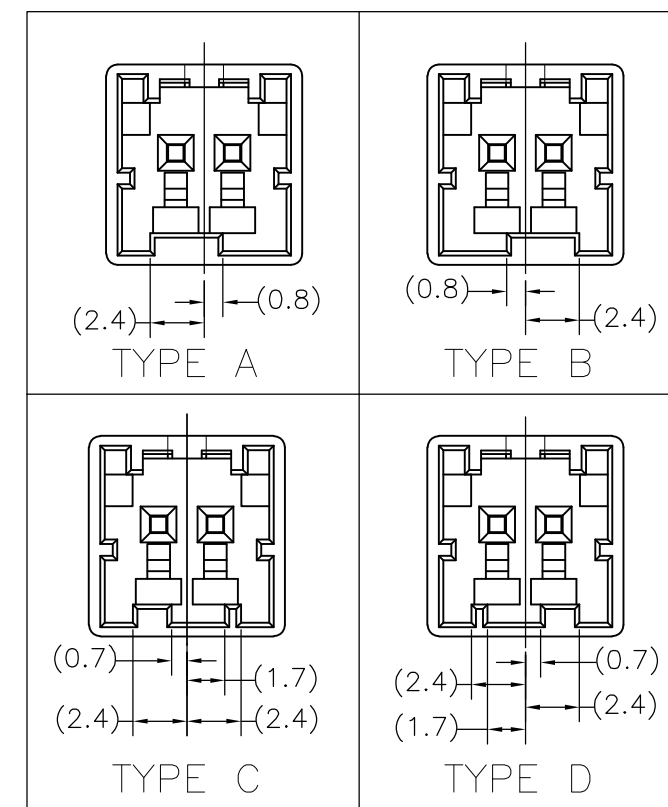
ALL RIGHTS RESERVED.

P	LTR	DESCRIPTION	DATE	DWN	APVD
	A	RELEASED	31JAN2017	K.S	D.Z



SECT A-A

TYPE OF KEYING



3-2232568-4	TYPE D	YELLOW	3-2232567-4
2-2232568-3	TYPE C	BLUE	2-2232567-3
1-2232568-2	TYPE B	RED	1-2232567-2
2232568-1-1	TYPE A	NATURAL	2232567-1
△ MATING HSG P/N	TYPE OF KEYING	COLOR	PART NUMBER

NOTE

- 1. GENERAL TOLERANCE: ±0.3
- △ MATERIAL: PBT GLASS FILLED (UL94V-0)
- △ MATING CONN. P/N
PLUG HOUSING: SEE TABLE
TAB CONTACT: 2232575-1

THIS DRAWING IS A CONTROLLED DOCUMENT.		DWN K.SAKAI 31JAN2017	STE TE Connectivity		
DIMENSIONS: 单位: 耗 mm		CHK DANIEL ZHANG 31JAN2017			
TOLERANCES UNLESS OTHERWISE SPECIFIED: 一般公差		APVD DANIEL ZHANG 31JAN2017	NAME 名称 GRACE INERTIA CONNECTOR 2.5 W CAP HOUSING 2P		
0 PLC ± 1 PLC ± 2 PLC ± 3 PLC ± 4 PLC ± ANGLES ±		PRODUCT SPEC 製品規格 108-78350	SIZE A3	CAGE CODE 00779	DRAWING NO 番号 C-2232567
MATERIAL 材料 SEE NOTE △		APPLICATION SPEC 取付適用規格	RESTRICTED TO	—	
		WEIGHT 1.2 g	SCALE 尺度 5:1	SHEET 1 OF 1	REV A
CUSTOMER DRAWING					