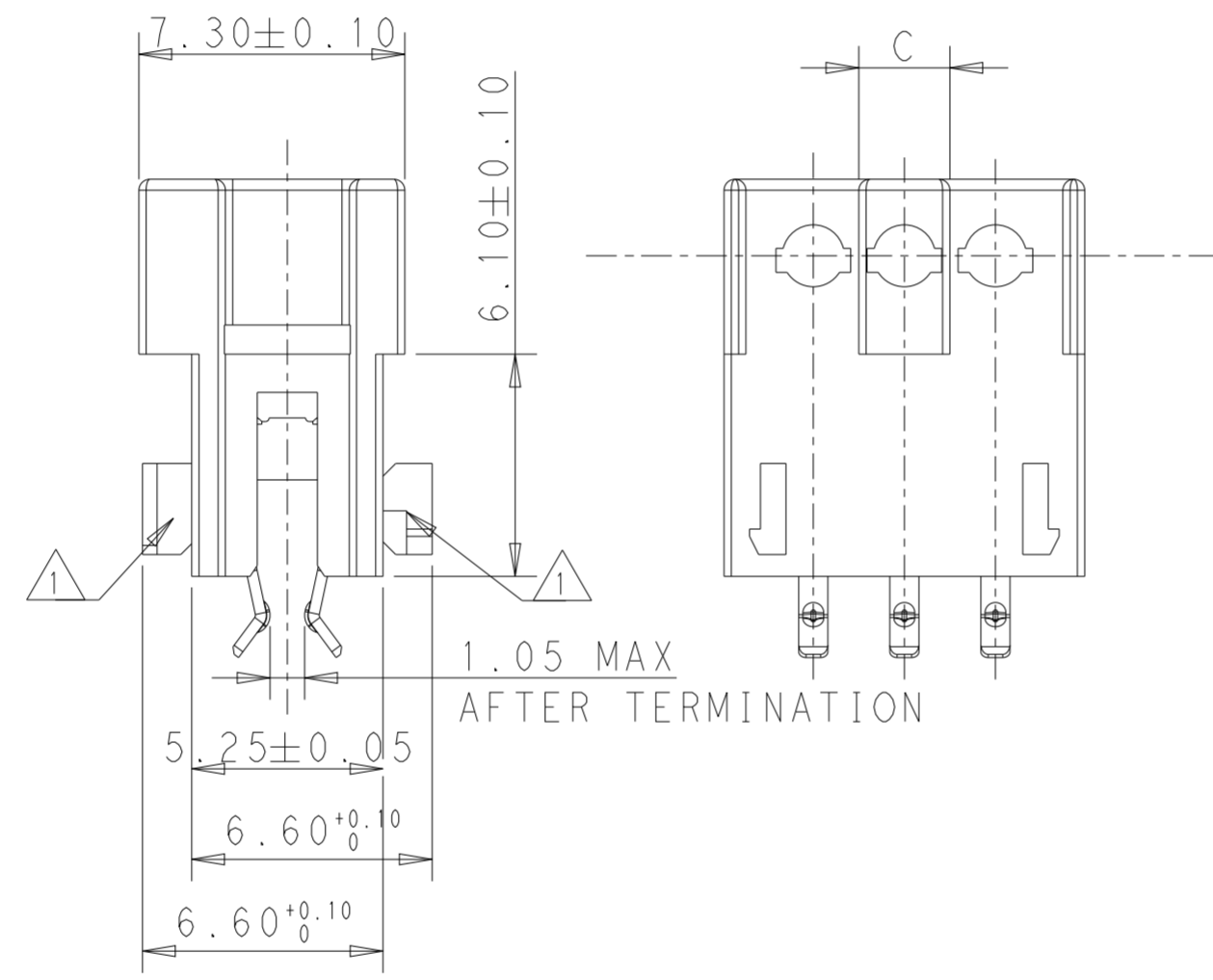
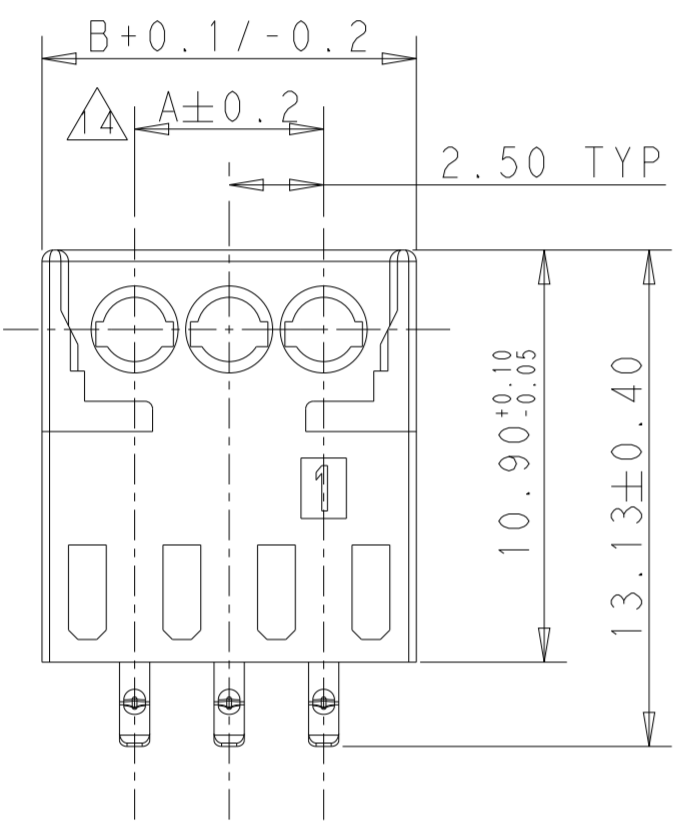
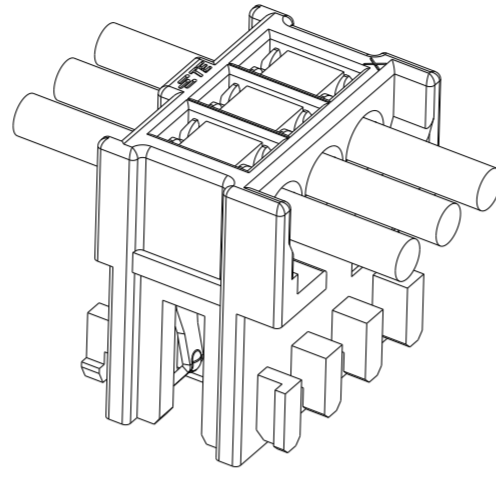
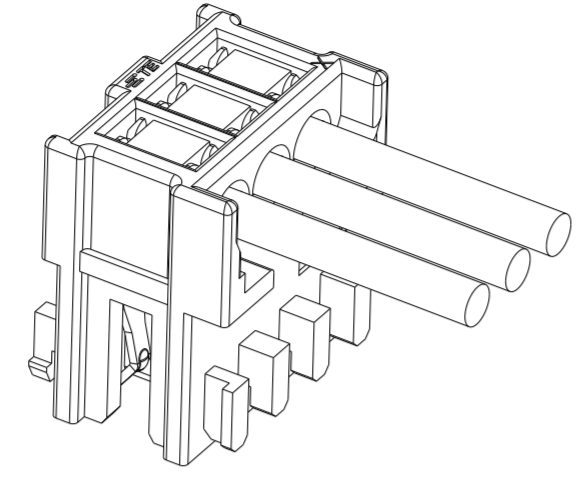
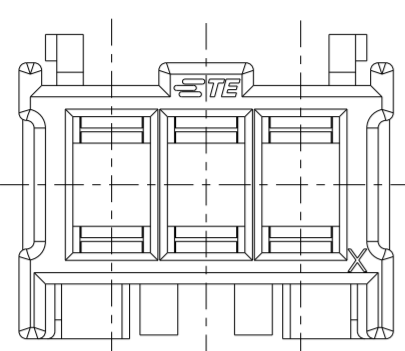
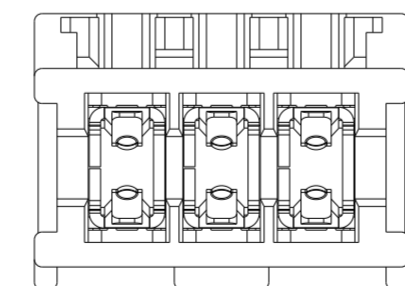
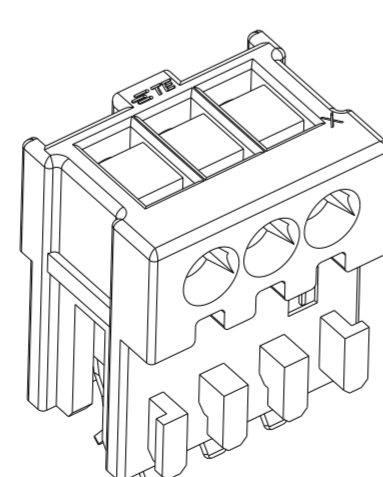
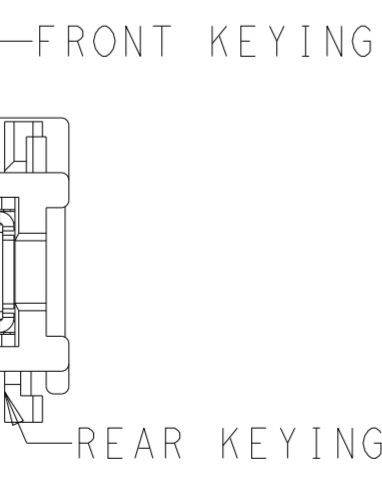
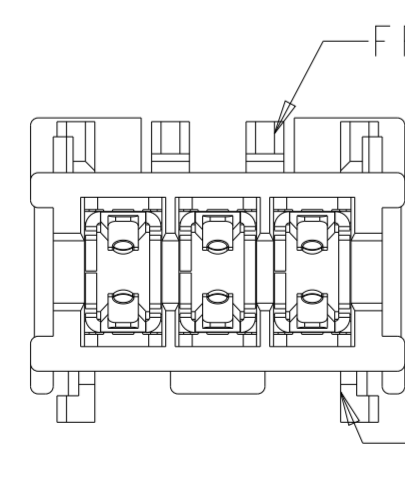
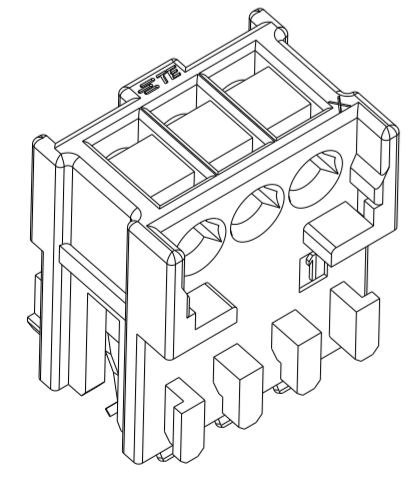


THIS DRAWING IS UNPUBLISHED. RELEASED FOR PUBLICATION
 © COPYRIGHT copyright dbTe ALL RIGHTS RESERVED.

REVISIONS				
P	LTR	DESCRIPTION	DATE	APVD
E		ECR-23-195332	05JAN2024	WW FL
E1		ECR-24-205274	11APR2024	FL TL
E2		ECR-24-214686	23JUL2024	SM FL
E3		ECR-24-228963	10DEC2024	KD FL



KEYING OPTION A AS SHOWN



OPTION A
FRONT KEYING + REAR KEYING
OPENING ON FRONT

OPTION B
FRONT KEYING ONLY
CLOSING ON FRONT

KEYING OPTIONS

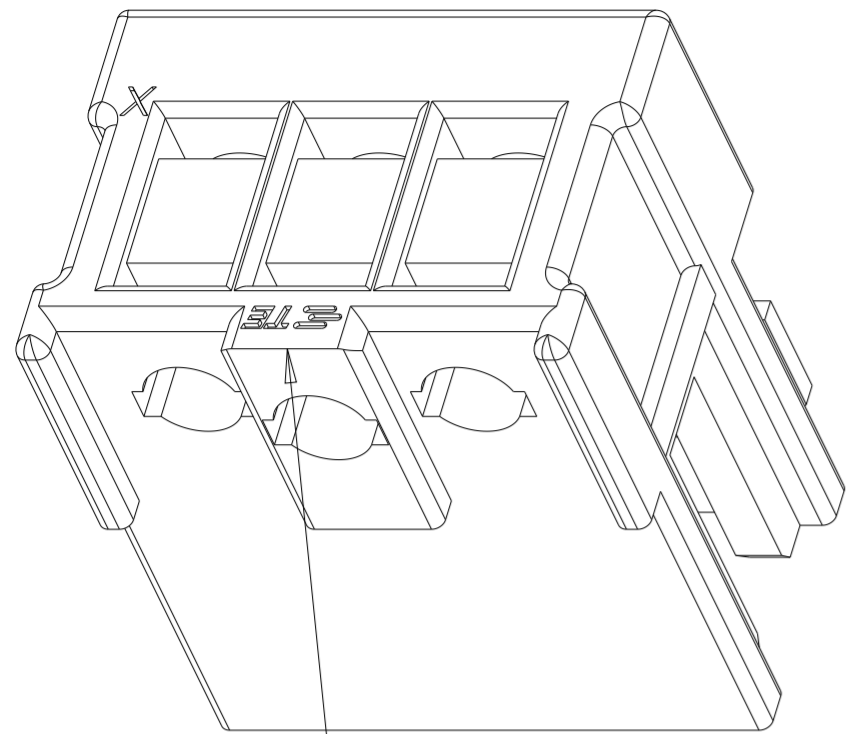
TERMINATED STATUS

- 1 KEYING RIBS: POSSIBLE TO BE CUT WITH TERMINATION MACHINE
- 2. MATING PART: PCB OR TAB HEADER ACC. RAST 2.5 STANDARD
- 3. HOUSING: NYLON, IEC 60335-1 GLOW WIRE TEST 750°C WITHOUT FLAME CONTACT: COPPER ALLOY WITH TIN PLATED
- 4. WIRE RANGE 0.22~0.35MM², INSULATION RANGE 1.2~1.6 MM
- 5 KEYING RIBS BETWEEN CAVITY NO.. SEE TABLE
- 6 TWO KEYING OPTIONS ARE AVAILABLE, THE DIMENSIONS FOR THE TWO OPTIONS ARE THE SAME EXCEPT THAT THE OPTION B HAS ONLY THE FRONT KEYING AND CLOSED FRONT OF HOUSING
- 7. FULLY LOADED AND SELECTIVELY LOADED VERSIONS ARE AVAILABLE
- 8 X.. CAVITY LOADED WITH CONTACT
O.. CAVITY WITHOUT CONTACT
- 9 KEYING CONFIGURATION SEE PAGE 5, IF NO DETAIL KEYING CONFIGURATION SHOWED TO A PN, THEN NO NEED TO CUT ANY KEYING ON THIS PN
- 10. THE SCRATCHES ON THE HOUSING DUE TO THE BARBS OF THE CONTACT ARE ACCEPTABLE, DETAIL PICTURES PLEASE SEE THE SEPC 114-106198.
- 11 PRELIMINARY PART NOT RELEASED FOR PRODUCTION
- 12 THE PART NUMBER IS WITH LOOSE PIECE AND PACKAGED WITH TUBE
- 13 THE PART NUMBER IS WITH CHAIN CONNECTION
- 14 DIMENSION "A" IS FROM FIRST HOLE TO LAST HOLE IN THE HOUSING
- 15 PNS WITH BLACK HOUSING, OTHERS ARE WITH NATURAL HOUSING
- 16 PACKING WITH U SHAPE TUBE
- 17 PACKING WITH O SHAPE TUBE
- 18 THE PART NUMBER IS WITH BLUE HOUSING
- 19 WIRE RANGE 0.14~0.22mm², INSULATION RANGE 0.8~1.4mm

THIS DRAWING IS A CONTROLLED DOCUMENT.		DWN 09 JUN 2015 WINTER WANG	TE Connectivity	
DIMENSIONS: mm		CHK 09 JUN 2015 DANIEL ZHANG		
TOLERANCES UNLESS OTHERWISE SPECIFIED:		APVD 09 JUN 2015 RICCARDO ROBONE	NAME Customer Drawing MONOPLUG 2.5 CONNECTOR	
0 PLC ±0.4		PRODUCT SPEC 108-106198	SIZE A2	
1 PLC ±0.3		APPLICATION SPEC 114-106198	CAGE CODE -	
2 PLC ±0.2		WEIGHT -	DRAWING NO C-2232884	
3 PLC ±		CUSTOMER DRAWING	RESTRICTED TO -	
4 PLC ±		SCALE 3:1	SHEET 1 OF 5	
ANGLES ±			REV E4	
FINISH -				

THIS DRAWING IS UNPUBLISHED. RELEASED FOR PUBLICATION
 © COPYRIGHT copyright.d8te ALL RIGHTS RESERVED.

REVISIONS				
P	LTR	DESCRIPTION	DATE	APVD
		SEE SHEET 1		



WITHOUT OBVIOUS RADIUS IN THIS EDGE, ONLY FOR 3P, 4P & 5P

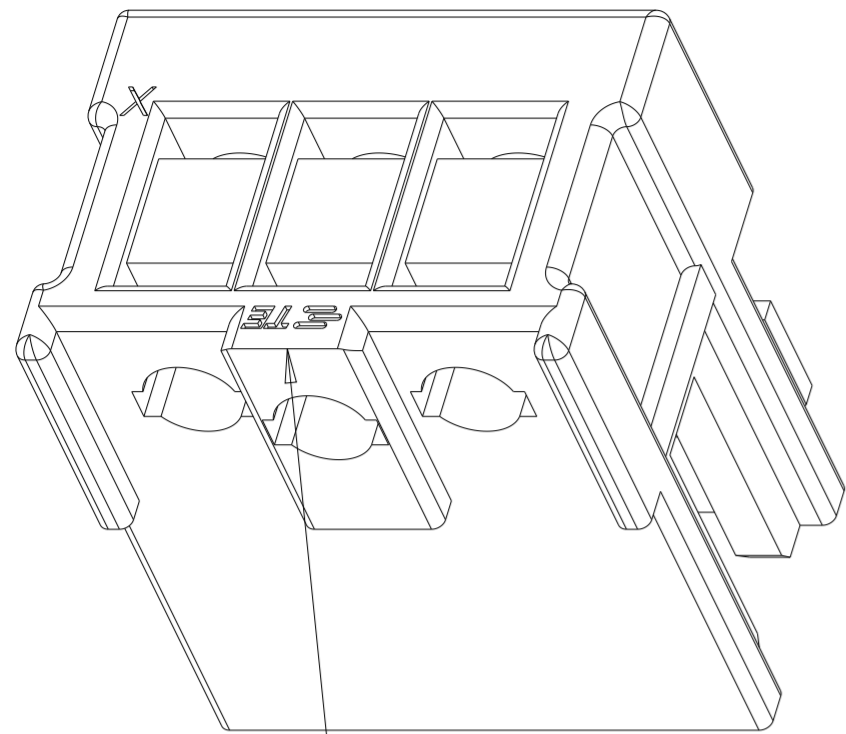
UL94-V0 GWT 750°C TIN PLATED LOOSE PIECE	ALL CAVITIES LOADED WITH CONTACT, FULLY LOADED	B	13	30	34.9	2.5	1-2232893-3	1-2406853-3
			12	27.5	32.4	5	1-2232893-2	1-2406853-2
			11	25	29.9	2.5	1-2232893-1	1-2406853-1
			10	22.5	27.4	5	1-2232892-0	1-2406852-0
			9	20	24.9	2.5	1-2232892-9	1-2406852-9
			8	17.5	22.4	5	1-2232892-8	1-2406852-8
			7	15	19.9	2.5	1-2232892-7	1-2406852-7
			6	12.5	17.4	5	1-2232892-6	1-2406852-6
			5	10	14.9	2.5	1-2490790-5 ¹⁸	1-2491199-5 ¹⁸ ¹¹
			5	10	14.9	2.5	1-2351101-5 ¹⁵	1-2406854-5 ¹⁵
			5	10	14.9	2.5	1-2232892-5	1-2406852-5
			4	7.5	12.4	5	1-2351101-4 ¹⁵	1-2406854-4 ¹⁵
			4	7.5	12.4	5	1-2232892-4	1-2406852-4
3	5	9.9	2.5	1-2351101-3 ¹⁵	1-2406854-3 ¹⁵			
3	5	9.9	2.5	1-2232892-3	1-2406852-3			
2	2.5	7.4	2.5	1-2232892-2	1-2406852-2			
PROPERTIES	CAVITIES LOADED	KEYING OPTION	POS.	DIM A	DIM B	DIM C	PART-NO ¹² ¹⁶	PART-NO ¹² ¹⁷

UL94-V0 GWT 750°C TIN PLATED LOOSE PIECE	ALL CAVITIES LOADED WITH CONTACT, FULLY LOADED	A	13	30	34.9	2.5	1-2232885-3
			12	27.5	32.4	5	1-2232885-2
			11	25	29.9	2.5	1-2232885-1
			10	22.5	27.4	5	1-2232884-0
			9	20	24.9	2.5	1-2232884-9
			8	17.5	22.4	5	1-2232884-8
			7	15	19.9	2.5	1-2232884-7
			6	12.5	17.4	5	1-2232884-6
			5	10	14.9	2.5	1-2232884-5
			4	7.5	12.4	5	1-2232884-4
			3	5	9.9	2.5	1-2232884-3
			2	2.5	7.4	2.5	1-2232884-2
			PROPERTIES	CAVITIES LOADED	KEYING OPTION	POS.	DIM A










THIS DRAWING IS A CONTROLLED DOCUMENT.		DWN WINTER WANG 09 JUN 2015	TE Connectivity	
		CHK DANIEL ZHANG 09 JUN 2015		
		APVD RICCARDO ROBONE 09 JUN 2015	NAME Customer Drawing MONOPLUG 2.5 CONNECTOR	
DIMENSIONS: mm 		TOLERANCES UNLESS OTHERWISE SPECIFIED: 0 PLC ±0.4 1 PLC ±0.3 2 PLC ±0.2 3 PLC ± 4 PLC ± ANGLES ± FINISH -		PRODUCT SPEC 108-106198 APPLICATION SPEC 114-106198 WEIGHT - CUSTOMER DRAWING
		SIZE A2	CAGE CODE -	DRAWING NO C-2232884
		SCALE 3:1	SHEET 2 OF 5	REV E4


THIS DRAWING IS UNPUBLISHED. RELEASED FOR PUBLICATION
 © COPYRIGHT copyright.d8te ALL RIGHTS RESERVED.

REVISIONS				
P	LTR	DESCRIPTION	DATE	APVD
		SEE SHEET 1		



WITHOUT OBVIOUS RADIUS IN THIS EDGE, ONLY FOR 3P, 4P & 5P

UL94-V0 GWT 750°C TIN PLATED LOOSE PIECE	ALL CAVITIES LOADED WITH CONTACT, FULLY LOADED 	B	13	30	34.9	2.5		
			12	27.5	32.4	5		
			11	25	29.9	2.5		
			10	22.5	27.4	5		
			9	20	24.9	2.5		
			8	17.5	22.4	5		
			7	15	19.9	2.5		
			6	12.5	17.4	5		
			5	10	14.9	2.5	1-2491674-5 	1-2491682-5 
			5	10	14.9	2.5	1-2491673-5 	1-2491681-5 
			5	10	14.9	2.5	1-2491672-5	1-2491680-5
			4	7.5	12.4	5		
			3	5	9.9	2.5		
2	2.5	7.4	2.5					
PROPERTIES	CAVITIES LOADED	KEYING OPTION	POS.	DIM A	DIM B	DIM C	PART-NO  	PART-NO  

THIS DRAWING IS A CONTROLLED DOCUMENT.		DWN 09 JUN 2015 WINTER WANG	 TE Connectivity	
DIMENSIONS: mm		CHK 09 JUN 2015 DANIEL ZHANG		
TOLERANCES UNLESS OTHERWISE SPECIFIED:		APVD 09 JUN 2015 RICCARDO ROBONE	NAME Customer Drawing MONOPLUG 2.5 CONNECTOR	
0 PLC ±0.4 1 PLC ±0.3 2 PLC ±0.2 3 PLC ± 4 PLC ± ANGLES ± FINISH -		PRODUCT SPEC 108-106198	SIZE A2	CAGE CODE -
MATERIAL -		APPLICATION SPEC 114-106198	DRAWING NO C-2232884	RESTRICTED TO -
		WEIGHT -	SCALE 3:1	SHEET 3 OF 5
		CUSTOMER DRAWING	REV E4	

THIS DRAWING IS UNPUBLISHED. RELEASED FOR PUBLICATION
 © COPYRIGHT copyright.d8Te- ALL RIGHTS RESERVED.

REVISIONS				
P	LTR	DESCRIPTION	DATE	APVD
		SEE SHEET 1		

UL94-V0 GWT 750°C TIN PLATED LOOSE PIECE	X	X	O	X	O	X	O	X	O	X	O	X	O	X
	X	O	X	O	X	O	X	O	X	O	X	O	X	
	X	X	X	O	O	X	O	O	X	X	X	X		
	X	X	X	O	O	O	X	O	X	O	X			
	X	O	X	O	X	O	X	O	X	O	X			
	X	O	O	X	O	X	O	X	O	X				
	X	X	O	X	O	X	O	X	O	X				
	X	X	O	X	O	X	O	X	X	X				
	X	O	X	O	X	O	X	O	X					
	X	O	O	O	X	X	X	X						
	X	X	O	O	O	X	X	X						
	X	O	X	O	X	O	X							
	X	O	X	O	X	X								
	X	O	X	O	X									
	PROPERTIES	1	2	3	4	5	6	7	8	9	10	11	12	13


B	14	32.5	37.4	5	NA	1-2406851-4	△1			
	13	30	34.9	2.5	1-2232891-3	1-2406851-3				
	12	27.5	32.4	5	1-2232891-2	1-2406851-2				
	11	25	29.9	2.5	2-2232891-1	2-2406851-1				
	11	25	29.9	2.5	1-2232891-1	1-2406851-1				
	10	22.5	27.4	5	4-2232890-0	4-2406849-0				
	10	22.5	27.4	5	3-2232890-0	3-2406849-0				
	10	22.5	27.4	5	1-2232890-0	1-2406849-0				
	9	20	24.9	2.5	1-2232890-9	1-2406849-9				
	8	17.5	22.4	5	2-2232890-8	2-2406849-8				
	8	17.5	22.4	5	1-2232890-8	1-2406849-8				
	7	15	19.9	2.5	1-2352002-7	1-2406856-7	△15			
	7	15	19.9	2.5	1-2232890-7	1-2406849-7				
	6	12.5	17.4	5	1-2232890-6	1-2406849-6				
	5	10	14.9	2.5	1-2352002-5	1-2406856-5	△15			
5	10	14.9	2.5	1-2232890-5	1-2406849-5					
4	7.5	12.4	5	1-2232890-4	1-2406849-4					
3	5	9.9	2.5	1-2232890-3	1-2406849-3					
2	2.5	7.4	2.5	1-2232890-2	1-2406849-2					
KEYING OPTION	POS.	DIM A	DIM B	DIM C	PART-NO.	△12	△16	PART-NO.	△2	△17

CAVITIES LOADED △8

UL94-V0 GWT 750°C TIN PLATED LOOSE PIECE	X	O	X	O	X	O	X	O	X	O	X	O	X	
	X	X	X	O	O	X	O	O	X	X	X	X		
	X	X	X	O	O	O	X	O	X	O	X			
	X	O	X	O	X	O	X	O	X	O	X			
	X	X	O	X	O	X	O	X	X	X				
	X	O	X	O	X	O	X	O	X					
	X	X	O	O	O	X	X	X						
	X	O	X	O	X	O	X							
	X	O	X	O	X	X								
	X	O	X	O	X									
	X	O	X	X										
	X	O	X											
	X	O												
	PROPERTIES	1	2	3	4	5	6	7	8	9	10	11	12	13

A	13	30	34.9	2.5	1-2232895-3				
	12	27.5	32.4	5	1-2232895-2				
	11	25	29.9	2.5	2-2232895-1				
	11	25	29.9	2.5	1-2232895-1				
	10	22.5	27.4	5	1-2232894-0				
	9	20	24.9	2.5	1-2232894-9				
	8	17.5	22.4	5	1-2232894-8				
	7	15	19.9	2.5	1-2232894-7				
	6	12.5	17.4	5	1-2232894-6				
	5	10	14.9	2.5	1-2232894-5				
	4	7.5	12.4	5	1-2232894-4				
	3	5	9.9	2.5	1-2232894-3				
	2	2.5	7.4	2.5	1-2232894-2				
	KEYING OPTION	POS.	DIM A	DIM B	DIM C	PART-NO.	△11	△12	△16

CAVITIES LOADED △8

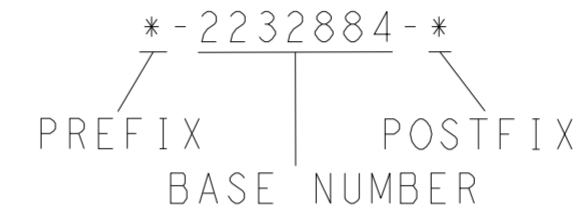
THIS DRAWING IS A CONTROLLED DOCUMENT.		DWN 09 JUN 2015 WINTER WANG	 TE Connectivity Customer Drawing MONOPLUG 2.5 CONNECTOR
DIMENSIONS: mm		CHK 09 JUN 2015 DANIEL ZHANG	
TOLERANCES UNLESS OTHERWISE SPECIFIED:		APVD 09 JUN 2015 RICCARDO ROBONE	
0 PLC ±0.4 1 PLC ±0.3 2 PLC ±0.2 3 PLC ± 4 PLC ± ANGLES ± FINISH -		PRODUCT SPEC 108-106198 APPLICATION SPEC 114-106198 WEIGHT -	
MATERIAL -		SCALE 3:1	RESTRICTED TO -
CUSTOMER DRAWING		SHEET 4 OF 5	REV E4

THIS DRAWING IS UNPUBLISHED. RELEASED FOR PUBLICATION
 © COPYRIGHT copyright.dBTe ALL RIGHTS RESERVED.

REVISIONS				
P	LTR	DESCRIPTION	DATE	APVD
		SEE SHEET 1		

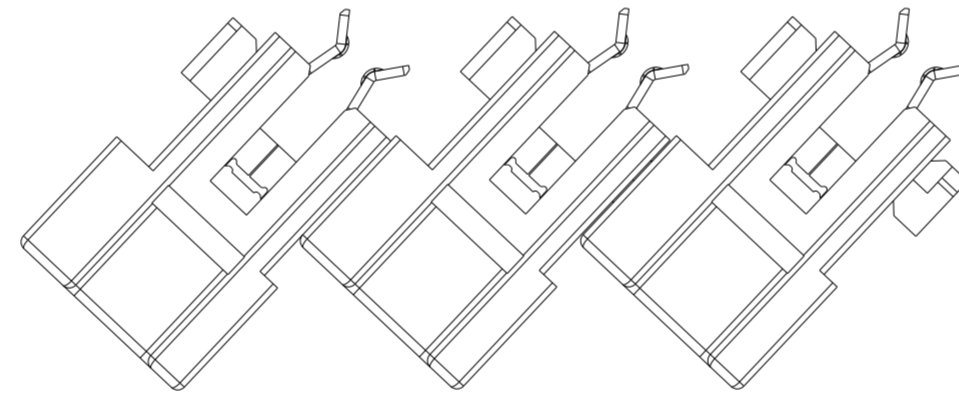
FOR ANY PART NUMBER WITH KEYING OPTION A, THERE ARE TWO PACKGING STYLE AVAILABLE, LOOSE PIECE AND CHAIN CONNECTION. THE P/N OF THE PARTS IN CHAIN CONNECTION IS BASED ON THE PARTS IN LOOSE PIECE, THE PREFIX AND POSTFIX ARE THE SAME FOR THE SAME STRUCTURE OF THE PARTS, BUT THE BASE NUMBERS ARE DIFFERENT ACCORDING TO DIFFERENT PACKAGING STYLE. THE FOLLOWING TABLE SHOWS THE P/S FOR THE PARTS IN CHAIN CONNECTION BASED ON THE PARTS IN LOOSE PIECE

PACKAGING STYLE	△1 LOOSE PIECE △2	△1 CHAIN CONNECTION △3
PART NUMBER OF MONOPLUG 2.5	*-2232884-*	*-2305996-*
	-2232885-	*-2305997-*
	-2232894-	*-2305998-*
	-2232895-	*-2305999-*
	-2304155-	*-2306437-*
	-2306443-	*-2306438-*
	-2306439-	*-2306441-*
	-2306440-	*-2306442-*



* CAN BE THE NUMBER FROM 0 TO 9, AND 0 CAN BE DEFAULT

FOR EXAMPLE, IF A PART OF MONOPLUG 2.5 IS IN LOOSE PIECE, AND IT'S PART NUMBER IS 1-2232885-2, AND IF THE SAME PART IS IN CHAIN CONNECTION, THEN THE PART NUMBER IS 1-2305997-2



△3 CHAIN CONNECTION

THIS DRAWING IS A CONTROLLED DOCUMENT.		DWN 09 JUN 2015 WINTER WANG	STE TE Connectivity		
DIMENSIONS: mm		CHK 09 JUN 2015 DANIEL ZHANG			
TOLERANCES UNLESS OTHERWISE SPECIFIED:		APVD 09 JUN 2015 RICCARDO ROBONE	NAME Customer Drawing MONOPLUG 2.5 CONNECTOR		
0 PLC ±0.4 1 PLC ±0.3 2 PLC ±0.2 3 PLC ± 4 PLC ±		PRODUCT SPEC 108-106198	SIZE A2	CAGE CODE -	DRAWING NO C-2232884
MATERIAL -		FINISH -	WEIGHT -	RESTRICTED TO -	SCALE 3:1
CUSTOMER DRAWING			SHEET 5 OF 5	REV E4	