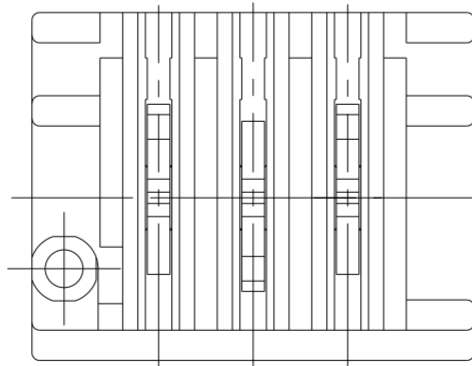
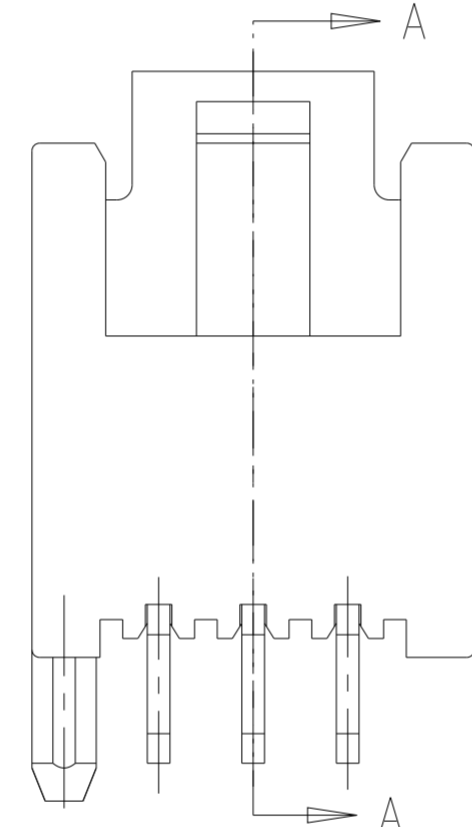
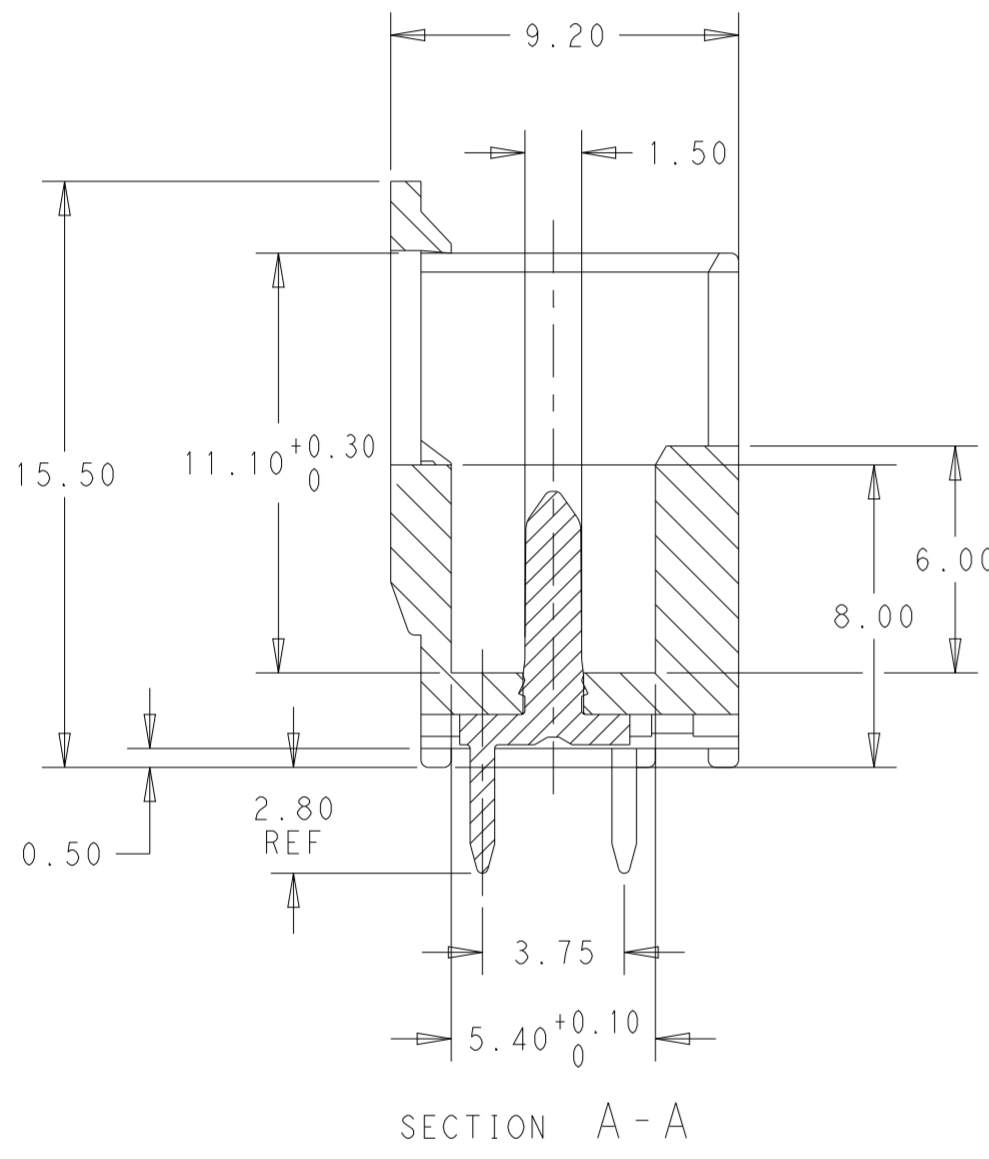
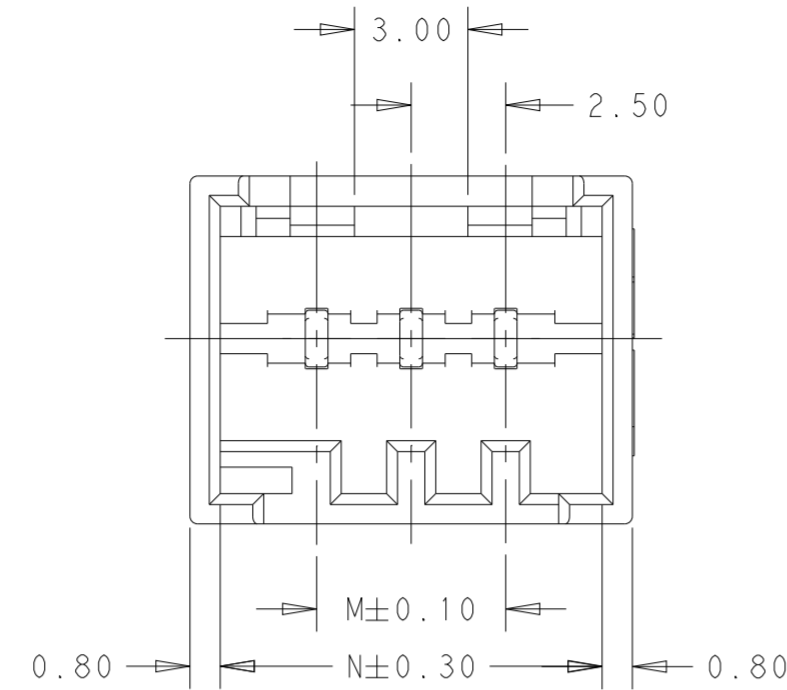
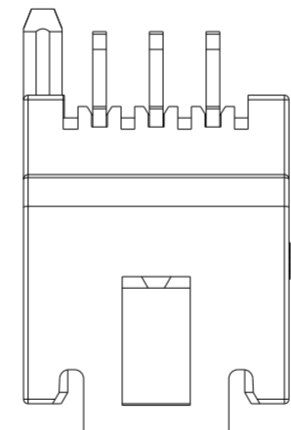
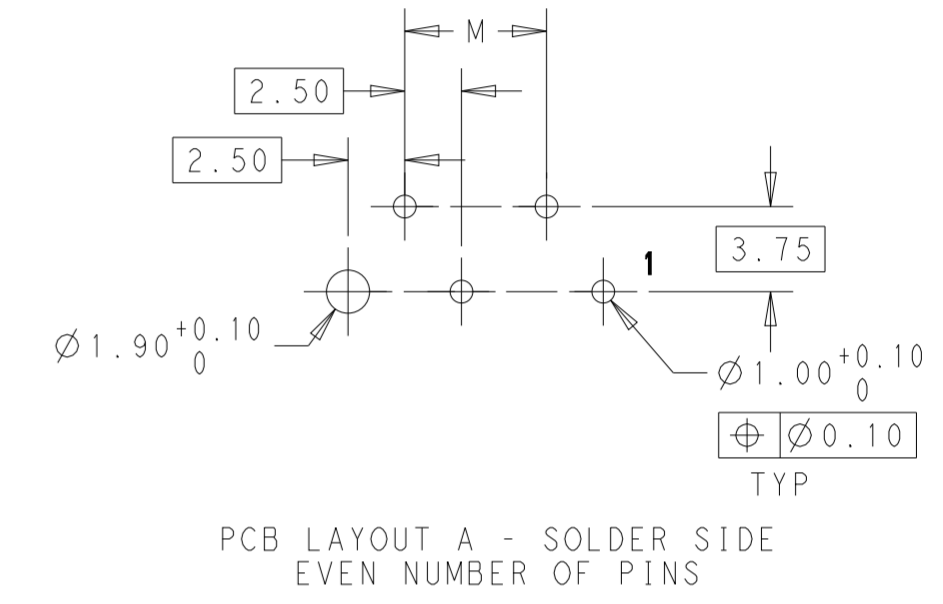
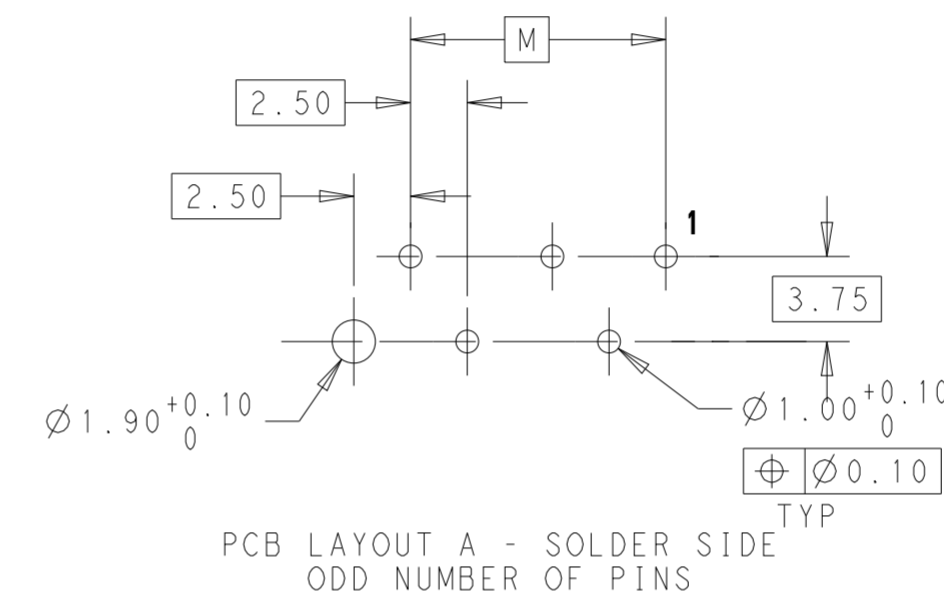


THIS DRAWING IS UNPUBLISHED. RELEASED FOR PUBLICATION 20
 © COPYRIGHT 20 BY - ALL RIGHTS RESERVED.

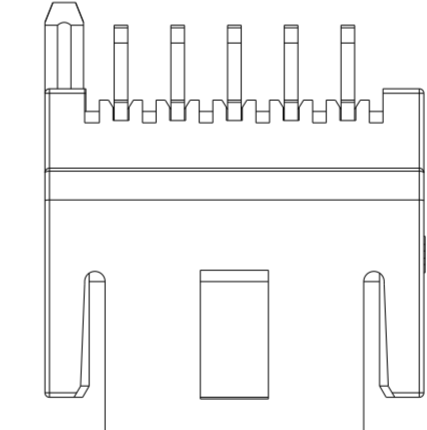
REVISIONS				
P	LTR	DESCRIPTION	DATE	DWN APVD
B2		ECR-22-136222	21APR2022	WW FL
B3		ECR-24-205274	11APR2024	TL FL
B4		ECR-25-236885	12MAR2025	DK FL
B5		ECR-25-239782	31MAR2025	TL WW



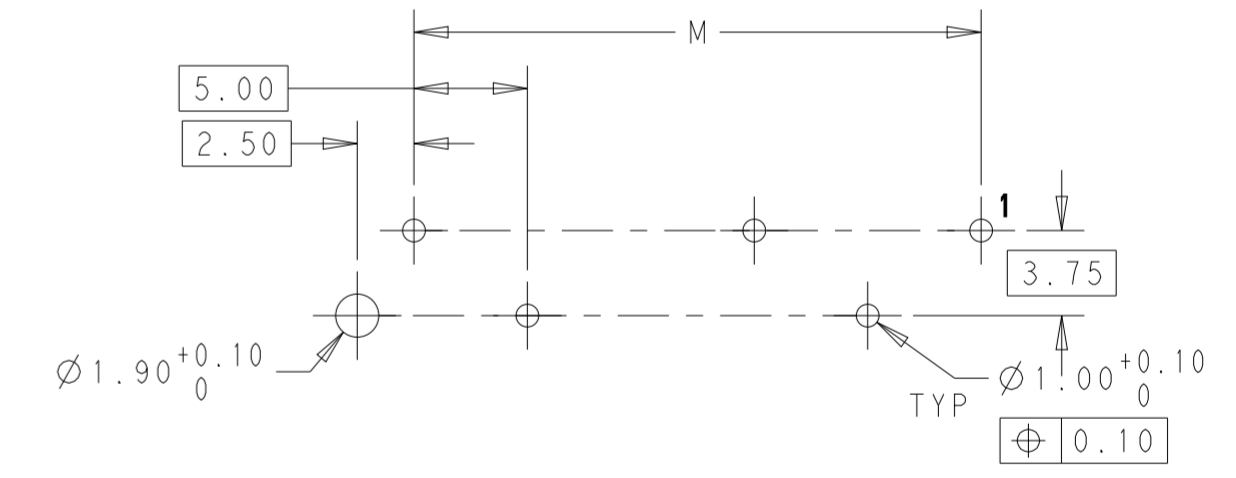
- SEE SHEET 2 FOR AVAILABLE CONFIGURATIONS
- MATERIAL: HOUSING, NYLON, UL94 V0, 750°C GWT NO FLAME CONTACT, COPPER ALLOY, 0.60MM THICK
- FINISH: TIN PLATING OVER NICKEL UNDERPLATING
- PCB LAYOUT AS SHOWN
- PRELIMINARY, NOT FOR PRODUCTION
- TWO ALTERNATIVE RESINS AVAILABLE FOR NATURAL COLOR PNs



LATCH DESIGN FOR PARTS WITH 3 AND 4 POSITIONS

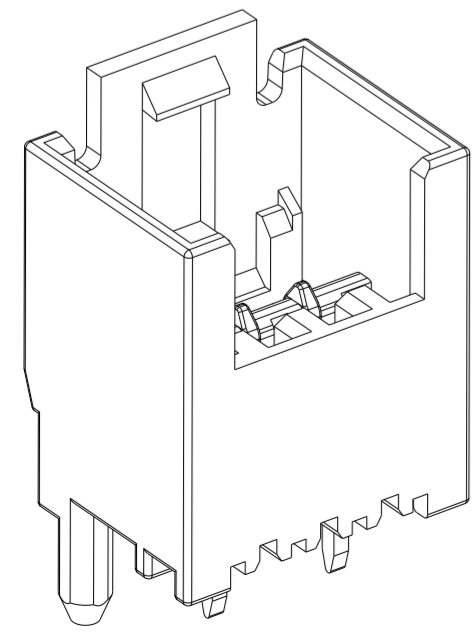


LATCH DESIGN FOR PARTS WITH POSITION BIGGER THAN 4



PCB LAYOUT B - SOLDER SIDE ODD NUMBER OF PINS

40.00	40.00	45.10	40.00	17
30.00	-	37.60	32.50	14
20.00	20.00	25.10	20.00	9
15.00	-	20.10	15.00	7
10.00	-	17.60	12.50	6
10.00	10.00	15.10	10.00	5
5.00	-	12.60	7.50	4
5.00	5.00	10.10	5.00	3
Q	P	N	M	POS



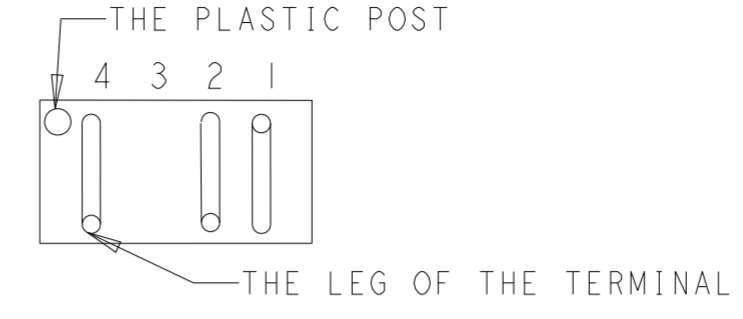
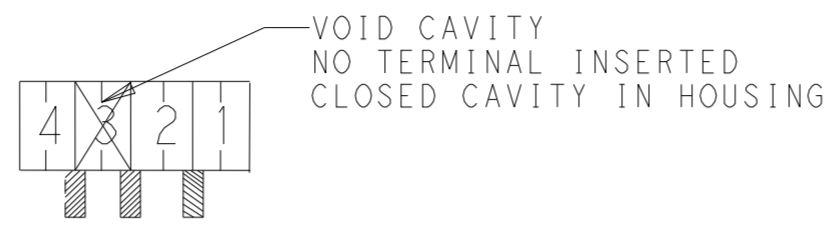
THIS DRAWING IS A CONTROLLED DOCUMENT.

DIMENSIONS: mm	TOLERANCES UNLESS OTHERWISE SPECIFIED:	DWN: 16APR2015 WINTER WANG	CHK: 16APR2015 JAIN LIU	APVD: 16APR2015 RICCARDO ROBONE	NAME: RAST 2.5 TAB HEADER ASSY POTTED VERSION
0 PLC ±	1 PLC ±	2 PLC ±0.20	3 PLC ±	4 PLC ±	ANGLES ±1°
MATERIAL: -	FINISH: -	PRODUCT SPEC: 108-106079	APPLICATION SPEC: -	WEIGHT: -	SIZE: A2
CUSTOMER DRAWING		SCALE: 5:1	SHEET: 1 OF 7	REV: B5	RESTRICTED TO: -

STE TE Connectivity

THIS DRAWING IS UNPUBLISHED. RELEASED FOR PUBLICATION 20
 © COPYRIGHT 20 BY - ALL RIGHTS RESERVED.

REVISIONS					
P	LTR	DESCRIPTION	DATE	DWN	APVD
-	-	SEE SHEET 1	-	-	-



KEYING CONFIGURATION	TAIL CONFIGURATION	PCB LAYOUT	COLOR	VOID CAVITY	CAVITY	TE PART NUMBER	REVISION
		B	BLACK	2	3	2-2232962-3	B
		B	NATURAL	2	3	1-2232962-3	B
		A	BLACK	-	3	8-2232960-3	B
		A	NATURAL	-	3	7-2232960-3 △5	1
		A	NATURAL	-	3	6-2232960-3	B
		A	NATURAL	-	3	5-2232960-3	B
		A	NATURAL	-	3	4-2232960-3	B
		A	BLACK	-	3	3-2232960-3	B
		A	BLACK	-	3	2-2232960-3	B
		A	NATURAL	-	3	1-2232960-3	B

THIS DRAWING IS A CONTROLLED DOCUMENT.

DWN: WINTER WANG 16APR2015
 CHK: JAIN LIU 16APR2015
 APVD: RICCARDO ROBONE 16APR2015

STE TE Connectivity

NAME: RAST 2.5 TAB HEADER ASSY POTTED VERSION

PRODUCT SPEC: 108-106079

APPLICATION SPEC: -

SIZE: A2 CAGE CODE: 00779 DRAWING NO: C-2232960 RESTRICTED TO: -

WEIGHT: -

CUSTOMER DRAWING SCALE: 5:1 SHEET: 2 OF 7 REV: B5

THIS DRAWING IS UNPUBLISHED. RELEASED FOR PUBLICATION 20
 © COPYRIGHT 20 BY - ALL RIGHTS RESERVED.

REVISIONS					
P	LTR	DESCRIPTION	DATE	DWN	APVD
-		SEE SHEET 1	-	-	-

		B	NATURAL	2	3	4-2232962-3	A
		B	NATURAL	2	3	3-2232962-3	A
		A	NATURAL	-	3	9-2232960-3	A
KEYING CONFIGURATION	TAIL CONFIGURATION	PCB LAYOUT	COLOR	VOID CAVITY	CAVITY	TE PART NUMBER	REVISION

THIS DRAWING IS A CONTROLLED DOCUMENT.

DWN WINTER WANG 16APR2015	
CHK JAIN LIU 16APR2015	
APVD RICCARDO ROBONE 16APR2015	
NAME RAST 2.5 TAB HEADER ASSY POTTED VERSION	
PRODUCT SPEC 108-106079	SIZE A200779
APPLICATION SPEC -	CAGE CODE C-2232960
WEIGHT -	DRAWING NO -
CUSTOMER DRAWING	RESTRICTED TO -
SCALE 5:1	SHEET 3 OF 7
REV B5	

THIS DRAWING IS UNPUBLISHED. RELEASED FOR PUBLICATION 20
 © COPYRIGHT 20 BY - ALL RIGHTS RESERVED.

REVISIONS				
P	LTR	DESCRIPTION	DATE	APVD
-	-	SEE SHEET 1	-	-

KEYING CONFIGURATION	TAIL CONFIGURATION	PCB LAYOUT	COLOR	VOID CAVITY	CAVITY	TE PART NUMBER	REVISION
		A	NATURAL	-	4	6-2232960-4	A
		A	NATURAL	-	4	5-2232960-4	A
		A	NATURAL	-	4	4-2232960-4	B
		A	NATURAL	-	4	3-2232960-4	B
		A	BLACK	-	4	2-2232960-4	B
		A	NATURAL	3	4	1-2232960-4	B
		B	NATURAL	2, 4	5	3-2232962-5	A
		B	BLACK	2, 4	5	1-2232962-5	A
		A	BLACK	-	5	2-2232960-5	A
		A	NATURAL	-	5	1-2232960-5	A

THIS DRAWING IS A CONTROLLED DOCUMENT.

DIMENSIONS: mm

TOLERANCES UNLESS OTHERWISE SPECIFIED:

0 PLC	±
1 PLC	±
2 PLC	±0.20
3 PLC	±
4 PLC	±
ANGLES	±1°
FINISH	-

MATERIAL: -

APVD: WINTER WANG 16APR2015
 CHK: JAIN LIU 16APR2015
 APVD: RICCARDO ROBONE 16APR2015

PRODUCT SPEC: 108-106079

APPLICATION SPEC: -

WEIGHT: -

CUSTOMER DRAWING

SCALE: 5:1

SHEET: 4 OF 7

REV: B5

NAME: RAST 2.5 TAB HEADER ASSY POTTED VERSION

SIZE: A2

CAGE CODE: 00779

DRAWING NO: C-2232960

RESTRICTED TO: -

STE TE Connectivity

THIS DRAWING IS UNPUBLISHED. RELEASED FOR PUBLICATION 20
 © COPYRIGHT 20 BY - ALL RIGHTS RESERVED.

REVISIONS					
P	LTR	DESCRIPTION	DATE	DWN	APVD
-	-	SEE SHEET 1	-	-	-

		A	NATURAL	-	7	4-2232960-7	A
		A	NATURAL	-	7	3-2232960-7	A
		B	NATURAL	2, 4, 6	7	1-2232962-7	A
		A	NATURAL	-	7	2-2232960-7	A
		A	NATURAL	-	7	1-2232960-7	A
		A	NATURAL	-	6	4-2232960-6	A
		A	NATURAL	-	6	3-2232960-6	A
		A	NATURAL	-	6	2-2232960-6	A
		A	NATURAL	-	6	1-2232960-6	A
KEYING CONFIGURATION	TAIL CONFIGURATION	PCB LAYOUT	COLOR	VOID CAVITY	CAVITY	TE PART NUMBER	REVISION

THIS DRAWING IS A CONTROLLED DOCUMENT.

DIMENSIONS: mm	TOLERANCES UNLESS OTHERWISE SPECIFIED: 0 PLC ± 1 PLC ± 2 PLC ±0.20 3 PLC ± 4 PLC ±	DWN WINTER WANG 16APR2015 CHK JAIN LIU 16APR2015 APVD RICCARDO ROBONE 16APR2015 PRODUCT SPEC 108-106079 APPLICATION SPEC - WEIGHT - CUSTOMER DRAWING	NAME RAST 2.5 TAB HEADER ASSY POTTED VERSION SIZE A2 CAGE CODE 00779 DRAWING NO C-2232960 RESTRICTED TO - SCALE 5:1 SHEET 5 OF 7 REV B5
----------------	---	--	--

STC TE Connectivity

THIS DRAWING IS UNPUBLISHED. RELEASED FOR PUBLICATION 20
 © COPYRIGHT 20 BY - ALL RIGHTS RESERVED.

REVISIONS				
P	LTR	DESCRIPTION	DATE	APVD
-	-	SEE SHEET 1	-	-

		B	NATURAL	2, 4, 6, 8, 10	11	1-2232963-1 5	1
		A	NATURAL	-	11	1-2232961-1 5	1
		B	NATURAL	2, 4, 6, 8, 10, 12, 14, 16	17	2-2232963-7	A
		B	NATURAL	2, 4, 6, 8, 10, 12, 14, 16	17	1-2232963-7	A
		B	NATURAL	2, 4, 6, 8	9	1-2232962-9	A
		A	NATURAL	-	9	2-2232960-9	A
		A	NATURAL	-	9	1-2232960-9	A
KEYING CONFIGURATION	TAIL CONFIGURATION	PCB LAYOUT	COLOR	VOID CAVITY	CAVITY	TE PART NUMBER	REVISION

THIS DRAWING IS A CONTROLLED DOCUMENT.

DWN: WINTER WANG 16APR2015
 CHK: JAIN LIU 16APR2015
 APVD: RICCARDO ROBONE 16APR2015

STE TE Connectivity

NAME: RAST 2.5 TAB HEADER ASSY POTTED VERSION

SIZE: A2 CAGE CODE: 00779 DRAWING NO: C-2232960 RESTRICTED TO: -

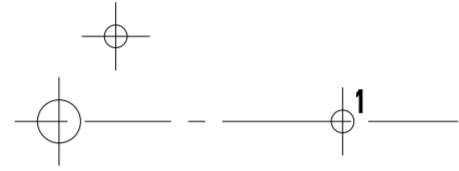
SCALE: 5:1 SHEET: 6 OF 7 REV: B5

MATERIAL: - DIMENSIONS: mm TOLERANCES UNLESS OTHERWISE SPECIFIED: 0 PLC ±, 1 PLC ±, 2 PLC ±0.20, 3 PLC ±, 4 PLC ±, ANGLES ±1°, FINISH: -

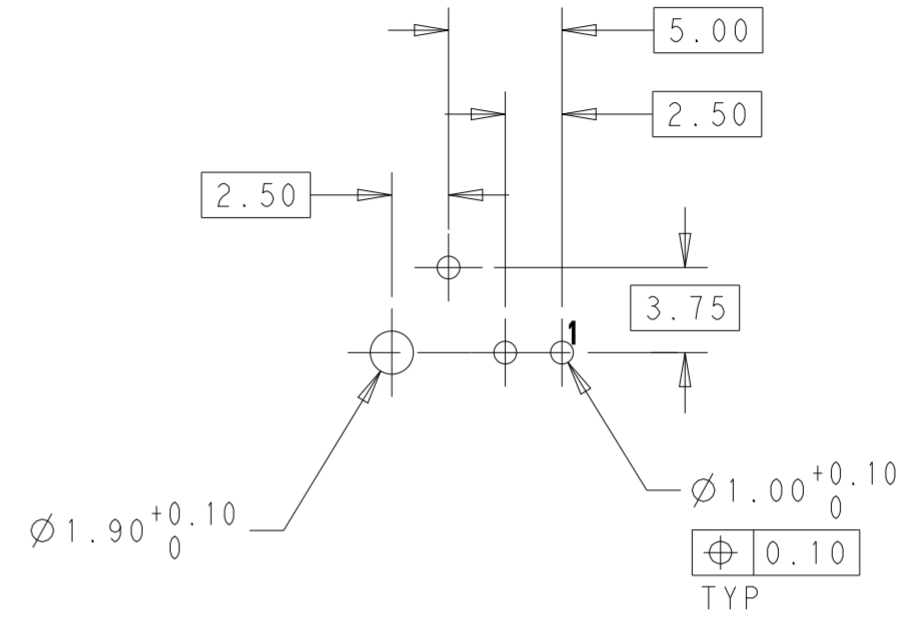
CUSTOMER DRAWING WEIGHT: - APPLICATION SPEC: 108-106079

REVISIONS					
P	LTR	DESCRIPTION	DATE	DWN	APVD
-	-	SEE SHEET 1	-	-	-

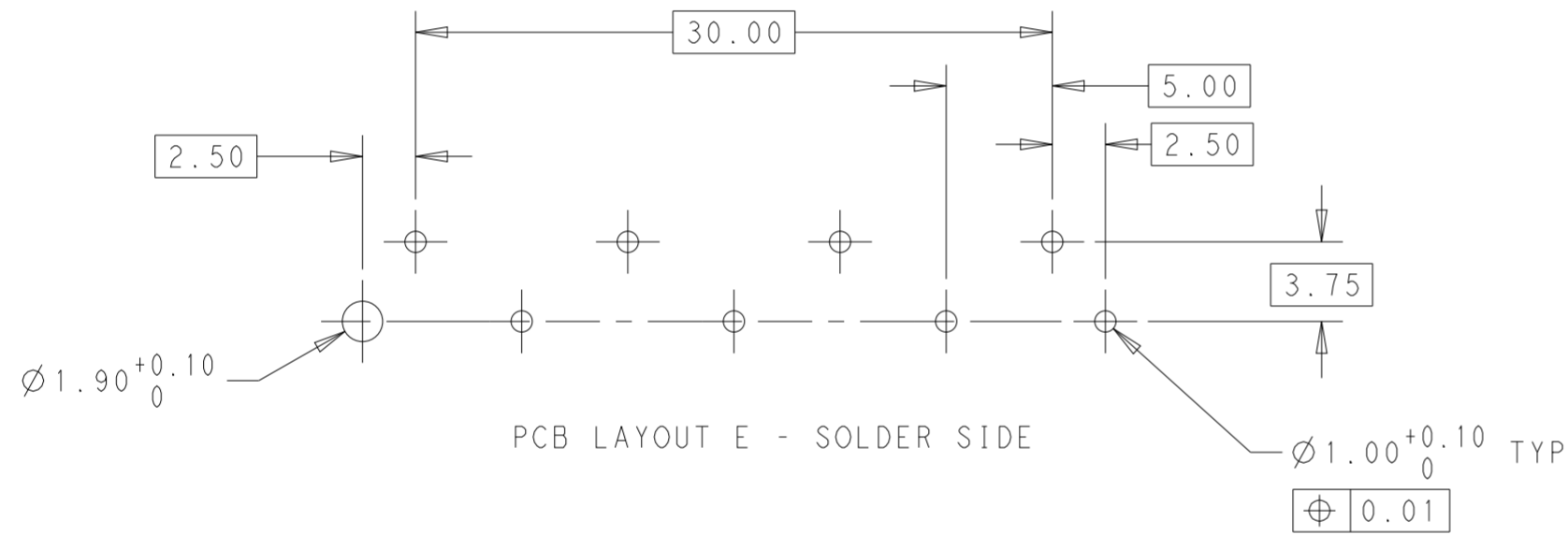
PARTS WITH SPECIAL PCB LAYOUT



PCB LAYOUT C - SOLDER SIDE



PCB LAYOUT D - SOLDER SIDE



PCB LAYOUT E - SOLDER SIDE

		E	NATURAL	3, 5, 7, 9, 11, 13	14	1-2232963-4 5	1
		C	NATURAL	2, 3, 4	5	2-2232962-5	A
		D	NATURAL	-	3	2364721-3	B
KEYING CONFIGURATION	TAIL CONFIGURATION	PCB LAYOUT	COLOR	VOID CAVITY	CAVITY	TE PART NUMBER	REVISION

THIS DRAWING IS A CONTROLLED DOCUMENT.

DWN: WINTER WANG 16APR2015
 CHK: JAIN LIU 16APR2015
 APVD: RICCARDO ROBONE 16APR2015

STE TE Connectivity

NAME: RAST 2.5 TAB HEADER ASSY POTTED VERSION

PRODUCT SPEC: 108-106079

APPLICATION SPEC: -

SIZE: A2 CAGE CODE: 00779 DRAWING NO: C-2232960 RESTRICTED TO: -

WEIGHT: -

CUSTOMER DRAWING SCALE: 5:1 SHEET: 7 OF 7 REV: B5