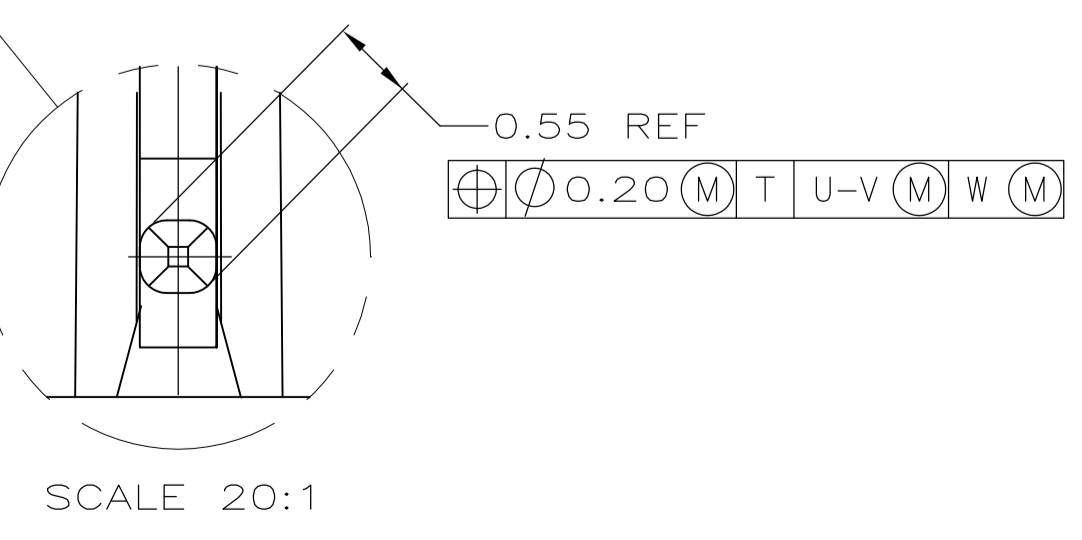
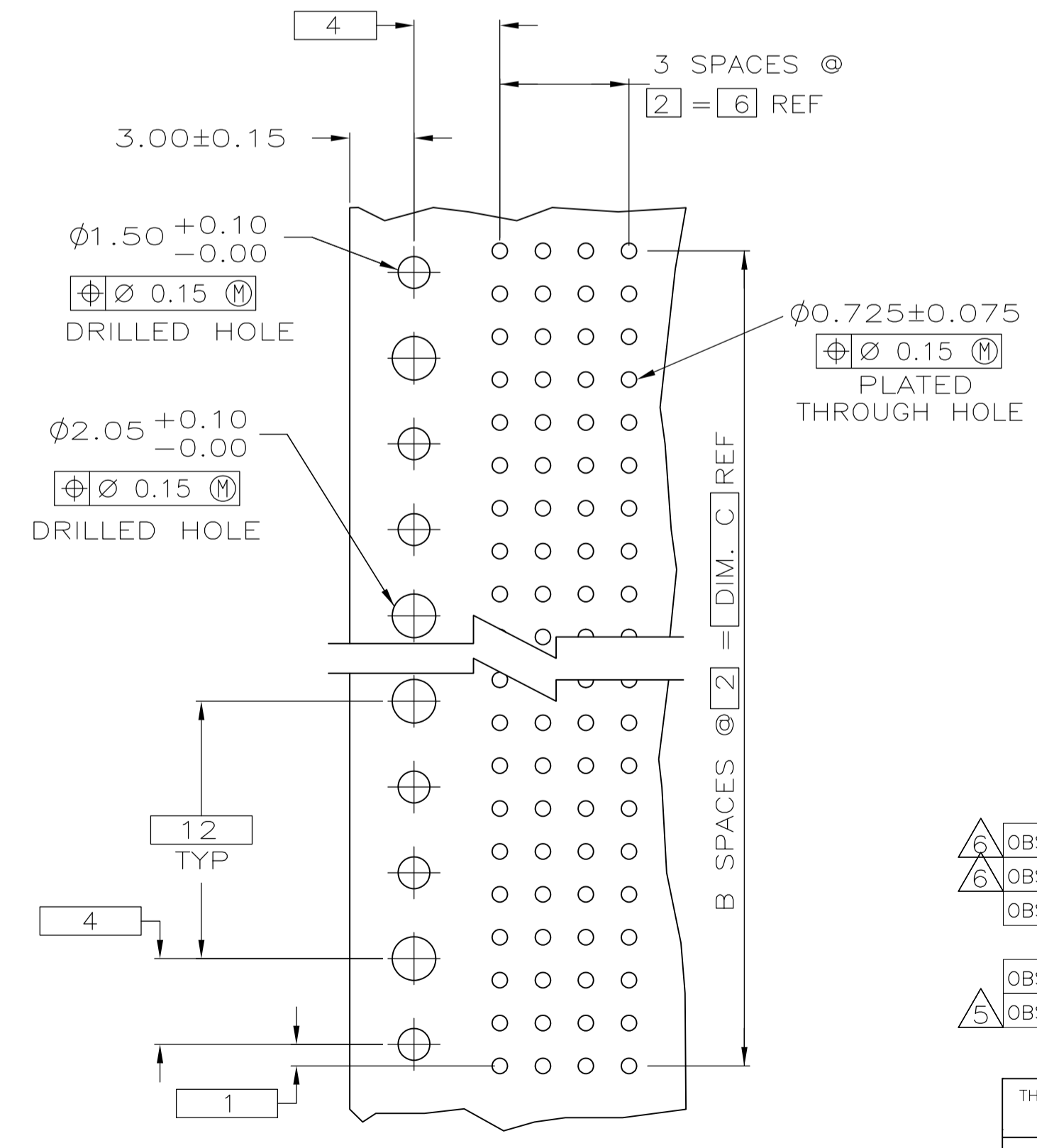
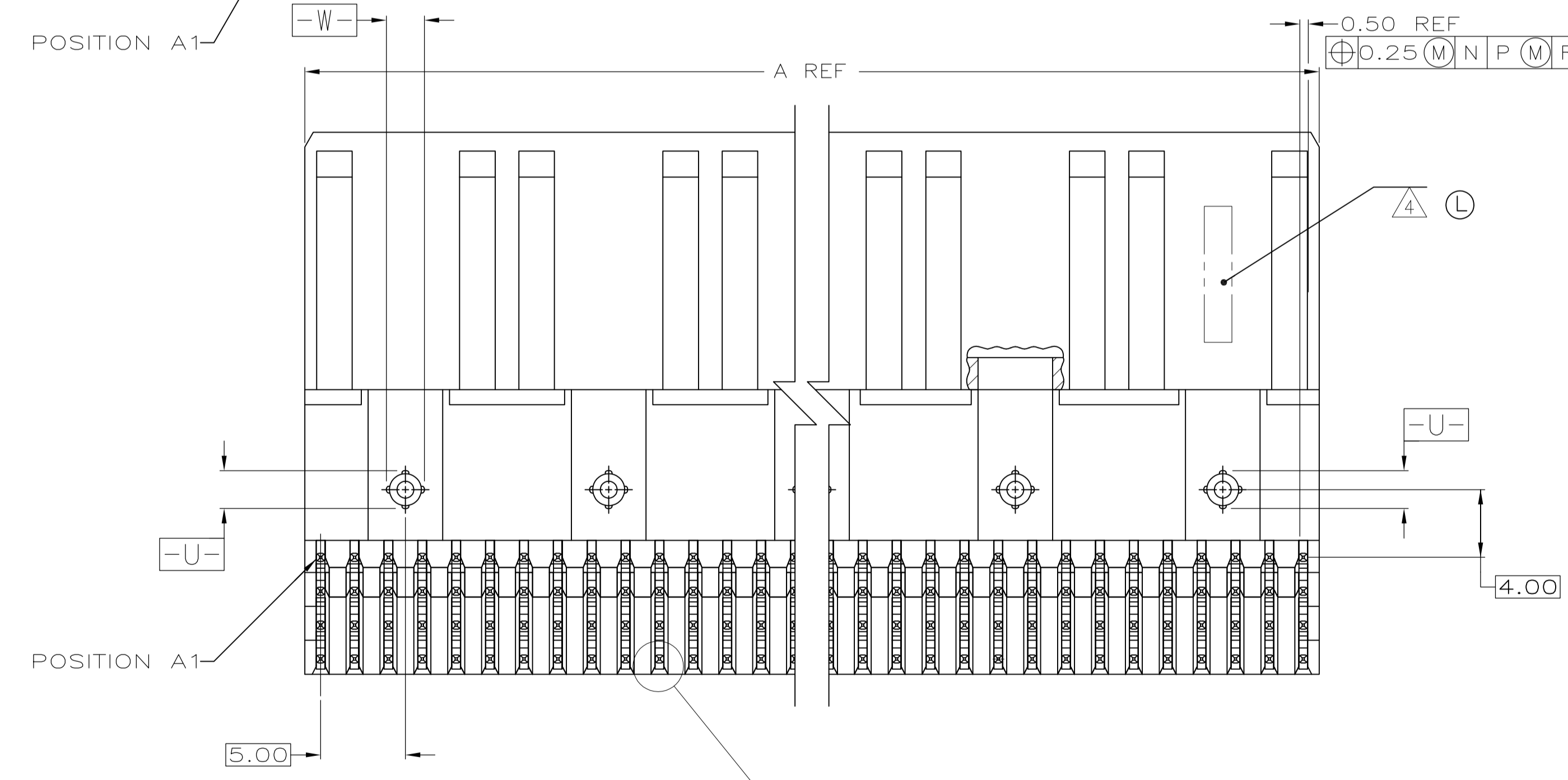
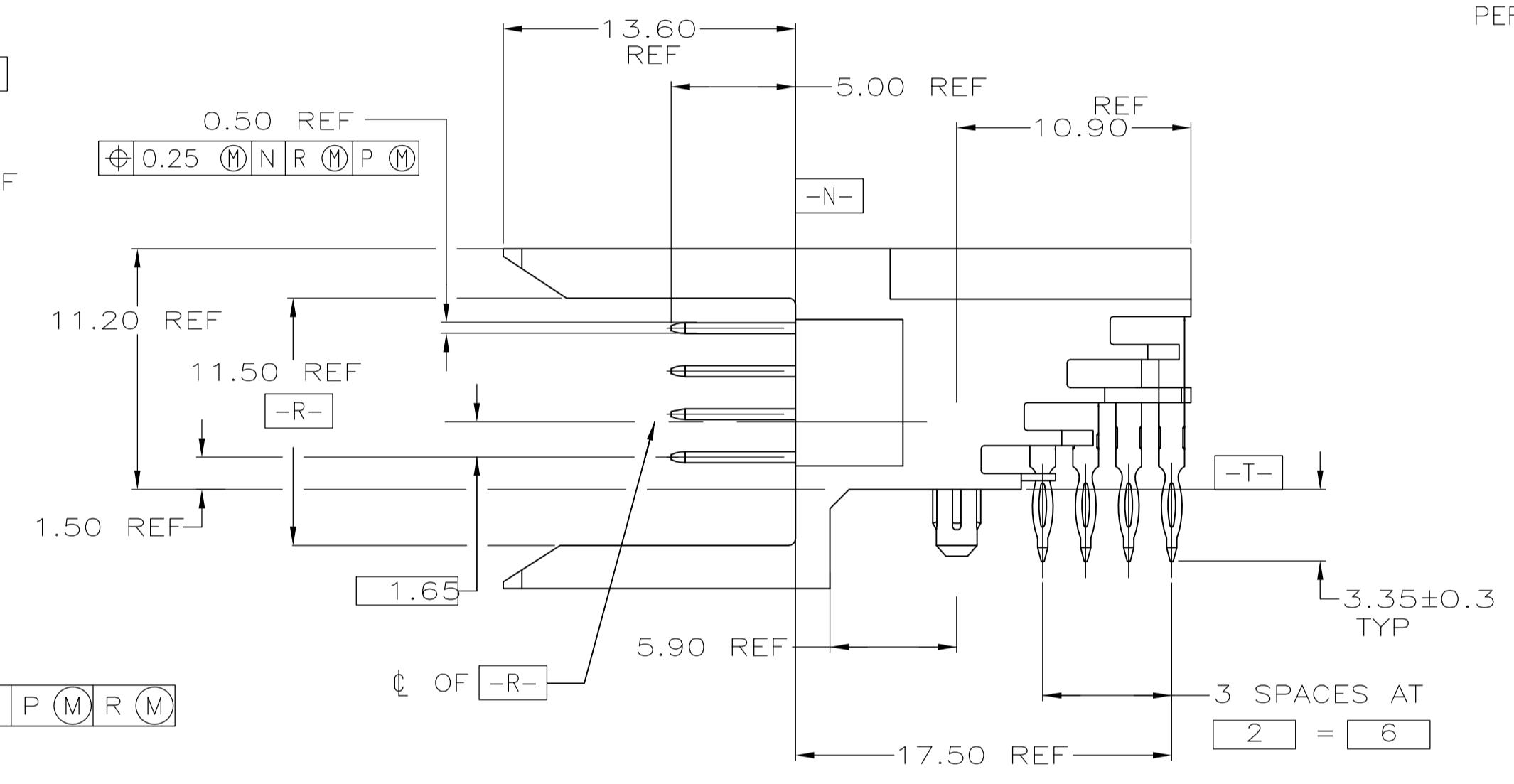
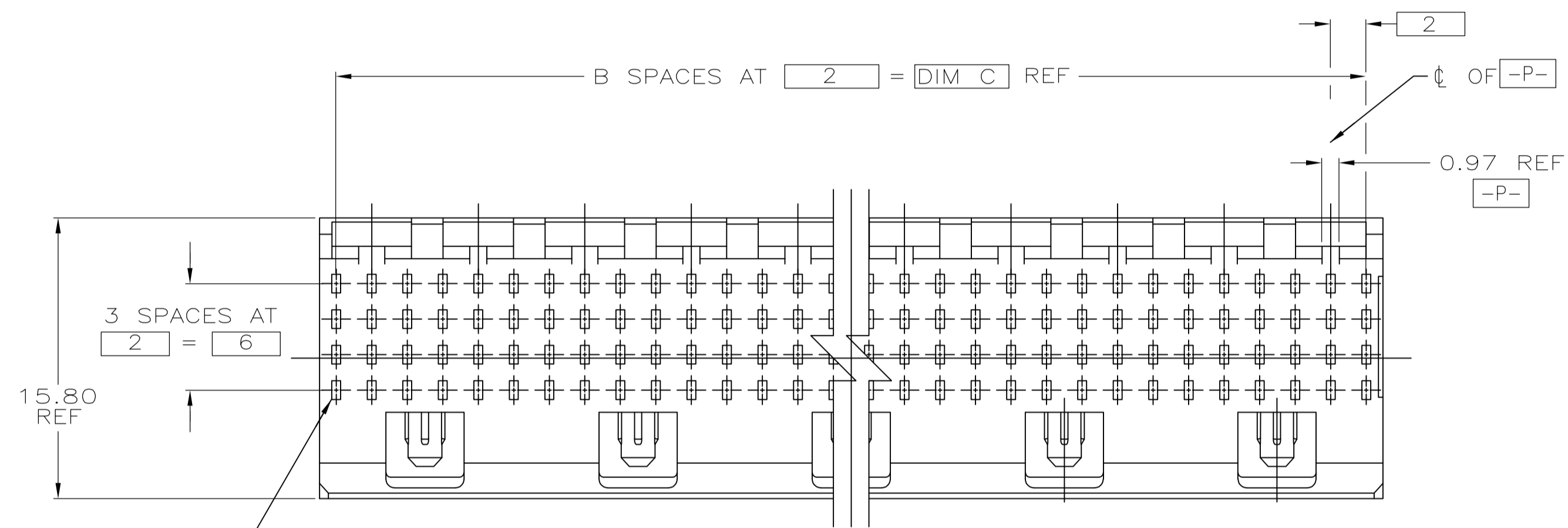


- △ HOUSING MATERIAL: LIQUID CRYSTAL POLYMER  
COLOR: NATURAL.
- △ CONTACT MATERIAL: PHOSPHOR BRONZE PER UNS  
ALLOY NO. C51100, TEMPER: H04.
- △ CONTACT FINISH:  
UNDERPLATE (ENTIRE CONTACT):  
0.00127 MIN NICKEL.  
ON MATING SURFACES:  
CONFORMS TO ALL TESTING SPECIFIED FOR TELCORDIA  
UNCONTROLLED ENVIRONMENT.  
ON LEADS  
0.0005 MIN TIN-LEAD OVER UNDERPLATE.  
LUBRICATION (ENTIRE CONTACT):  
SURFACE CONDITIONER PER AMP SPEC 112-1002 AFTER PLATING.
- Ⓛ △ PART MARKING PER TE SPEC 115-9009 LOCATED APPROXIMATELY  
AS SHOWN BETWEEN RIBS/SLOTS ON EITHER SIDE OF HOUSING AT  
MANUFACTURER'S DISCRETION.
- △ PART TO BE MARKED WITH DATE CODE ONLY.
- △ OBSOLETE PARTS: OBSOLETE CIS STREAMLINING  
PER D.RENAUD/D.SINISI



RECOMMENDED CIRCUIT PATTERN  
PER IPC-D300 TYPE II, CLASS C  
(COMPONENT SIDE)

△ OBSOLETE	58	29	59.88	△ 3	120	223514-6-
△ OBSOLETE	70	35	71.88	△ 3	144	223514-5-
△ OBSOLETE	94	47	95.88	△ 3	192	223514-4
	46	23	47.88	△ 3	96	223514-3
△ OBSOLETE	22	11	23.88	△ 3	48	223514-2
△ OBSOLETE	10	5	11.88	△ 3	24	223514-1
	C	B	A	FINISH	NO OF POSN	PART NUMBER

THIS DRAWING IS A CONTROLLED DOCUMENT.

DIMENSIONS:	TOLERANCES UNLESS OTHERWISE SPECIFIED:	APVD	NAME
mm	0.15 ± -	D. BAECHTLE	D. BAECHTLE
	0.25 ± -		
	0.50 ± -		
	0.75 ± -		
	1.00 ± -		
	1.50 ± -		
	2.00 ± -		
	2.50 ± -		
	3.00 ± -		
	4.00 ± -		
	5.00 ± -		
	6.00 ± -		
	8.00 ± -		
	10.00 ± -		
	12.00 ± -		
	15.00 ± -		
	20.00 ± -		
	25.00 ± -		
	30.00 ± -		
	40.00 ± -		
	50.00 ± -		
	60.00 ± -		
	80.00 ± -		
	100.00 ± -		
	120.00 ± -		
	150.00 ± -		
	200.00 ± -		
	250.00 ± -		
	300.00 ± -		
	400.00 ± -		
	500.00 ± -		
	600.00 ± -		
	800.00 ± -		
	1000.00 ± -		
	1200.00 ± -		
	1500.00 ± -		
	2000.00 ± -		
	2500.00 ± -		
	3000.00 ± -		
	4000.00 ± -		
	5000.00 ± -		
	6000.00 ± -		
	8000.00 ± -		
	10000.00 ± -		
	12000.00 ± -		
	15000.00 ± -		
	20000.00 ± -		
	25000.00 ± -		
	30000.00 ± -		
	40000.00 ± -		
	50000.00 ± -		
	60000.00 ± -		
	80000.00 ± -		
	100000.00 ± -		
	120000.00 ± -		
	150000.00 ± -		
	200000.00 ± -		
	250000.00 ± -		
	300000.00 ± -		
	400000.00 ± -		
	500000.00 ± -		
	600000.00 ± -		
	800000.00 ± -		
	1000000.00 ± -		
	1200000.00 ± -		
	1500000.00 ± -		
	2000000.00 ± -		
	2500000.00 ± -		
	3000000.00 ± -		
	4000000.00 ± -		
	5000000.00 ± -		
	6000000.00 ± -		
	8000000.00 ± -		
	10000000.00 ± -		
	12000000.00 ± -		
	15000000.00 ± -		
	20000000.00 ± -		
	25000000.00 ± -		
	30000000.00 ± -		
	40000000.00 ± -		
	50000000.00 ± -		
	60000000.00 ± -		
	80000000.00 ± -		
	100000000.00 ± -		
	120000000.00 ± -		
	150000000.00 ± -		
	200000000.00 ± -		
	250000000.00 ± -		
	300000000.00 ± -		
	400000000.00 ± -		
	500000000.00 ± -		
	600000000.00 ± -		
	800000000.00 ± -		
	1000000000.00 ± -		
	1200000000.00 ± -		
	1500000000.00 ± -		
	2000000000.00 ± -		
	2500000000.00 ± -		
	3000000000.00 ± -		
	4000000000.00 ± -		
	5000000000.00 ± -		
	6000000000.00 ± -		
	8000000000.00 ± -		
	10000000000.00 ± -		
	12000000000.00 ± -		
	15000000000.00 ± -		
	20000000000.00 ± -		
	25000000000.00 ± -		
	30000000000.00 ± -		
	40000000000.00 ± -		
	50000000000.00 ± -		
	60000000000.00 ± -		
	80000000000.00 ± -		
	100000000000.00 ± -		
	120000000000.00 ± -		
	150000000000.00 ± -		
	200000000000.00 ± -		
	250000000000.00 ± -		
	300000000000.00 ± -		
	400000000000.00 ± -		
	500000000000.00 ± -		
	600000000000.00 ± -		
	800000000000.00 ± -		
	1000000000000.00 ± -		
	1200000000000.00 ± -		
	1500000000000.00 ± -		
	2000000000000.00 ± -		
	2500000000000.00 ± -		
	3000000000000.00 ± -		
	4000000000000.00 ± -		
	5000000000000.00 ± -		
	6000000000000.00 ± -		
	8000000000000.00 ± -		
	10000000000000.00 ± -		
	12000000000000.00 ± -		
	15000000000000.00 ± -		
	20000000000000.00 ± -		
	25000000000000.00 ± -		
	30000000000000.00 ± -		
	40000000000000.00 ± -		
	50000000000000.00 ± -		
	60000000000000.00 ± -		
	80000000000000.00 ± -		
	100000000000000.00 ± -		
	120000000000000.00 ± -		
	150000000000000.00 ± -		
	200000000000000.00 ± -		
	250000000000000.00 ± -		
	300000000000000.00 ± -		
	400000000000000.00 ± -		
	500000000000000.00 ± -		
	600000000000000.00 ± -		
	800000000000000.00 ± -		
	1000000000000000.00 ± -		
	1200000000000000.00 ± -		
	1500000000000000.00 ± -		
	2000000000000000.00 ± -		
	2500000000000000.00 ± -		
	3000000000000000.00 ± -		
	4000000000000000.00 ± -		
	5000000000000000.00 ± -		
	6000000000000000.00 ± -		
	8000000000000000.00 ± -		
	10000000000000000.00 ± -		
	12000000000000000.00 ± -		
	15000000000000000.00 ± -		
	20000000000000000.00 ± -		
	25000000000000000.00 ± -		
	30000000000000000.00 ± -		
	40000000000000000.00 ± -		
	50000000000000000.00 ± -		
	60000000000000000.00 ± -		
	80000000000000000.00 ± -		
	100000000000000000.00 ± -		
	120000000000000000.00 ± -		
	150000000000000000.00 ± -		
	200000000000000000.00 ± -		
	250000000000000000.00 ± -		
	300000000000000000.00 ± -		
	400000000000000000.00 ± -		
	500000000000000000.00 ± -		
	600000000000000000.00 ± -		
	800000000000000000.00 ± -		
	1000000000000000000.00 ± -		
	1200000000000000000.00 ± -		
	1500000000000000000.00 ± -		
	2000000000000000000.00 ± -		
	2500000000000000000.00 ± -		
	3000000000000000000.00 ± -		
	4000000000000000000.00 ± -		
	5000000000000000000.00 ± -		
	6000000000000000000.00 ± -		
	8000000000000000000.00 ± -		
	10000000000000000000.00 ± -		
	12000000000000000000.00 ± -		
	15000000000000000000.00 ± -		
	20000000000000000000.00 ± -		
	25000000000000000000.00 ± -		
	30000000000000000000.00 ± -		
	40000000000000000000.00 ± -		
	50000000000000000000.00 ± -		
	60000000000000000000.00 ± -		
	80000000000000000000.00 ± -		
	100000000000000000000.00 ± -		
	120000000000000000000.00 ± -		
	150000000000000000000.00 ± -		
	200000000000000000000.00 ± -		
	250000000000000000000.00 ± -		
	300000000000000000000.00 ± -		
	400000000000000000000.00 ± -		
	500000000000000000000.00 ± -		
	600000000000000000000.00 ± -		
	800000000000000000000.00 ± -		
	1000000000000000000000.00 ± -		
	1200000000000000000000.00 ± -		
	1500000000000000000000.00 ± -		
	2000000000000000000000.00 ± -		
	2500000000000000000000.00 ± -		
	3000000000000000000000.00 ± -		
	4000000000000000000000.00 ± -		
	5000000000000000000000.00 ± -		
	6000000000000000000000.00 ± -		
	8000000000000000000000.00 ± -		
	10000000000000000000000.00 ± -		
	12000000000000000000000.00 ± -		
	15000000000000000000000.00 ± -		
	20000000000000000000000.00 ± -		
	25000000000000000		