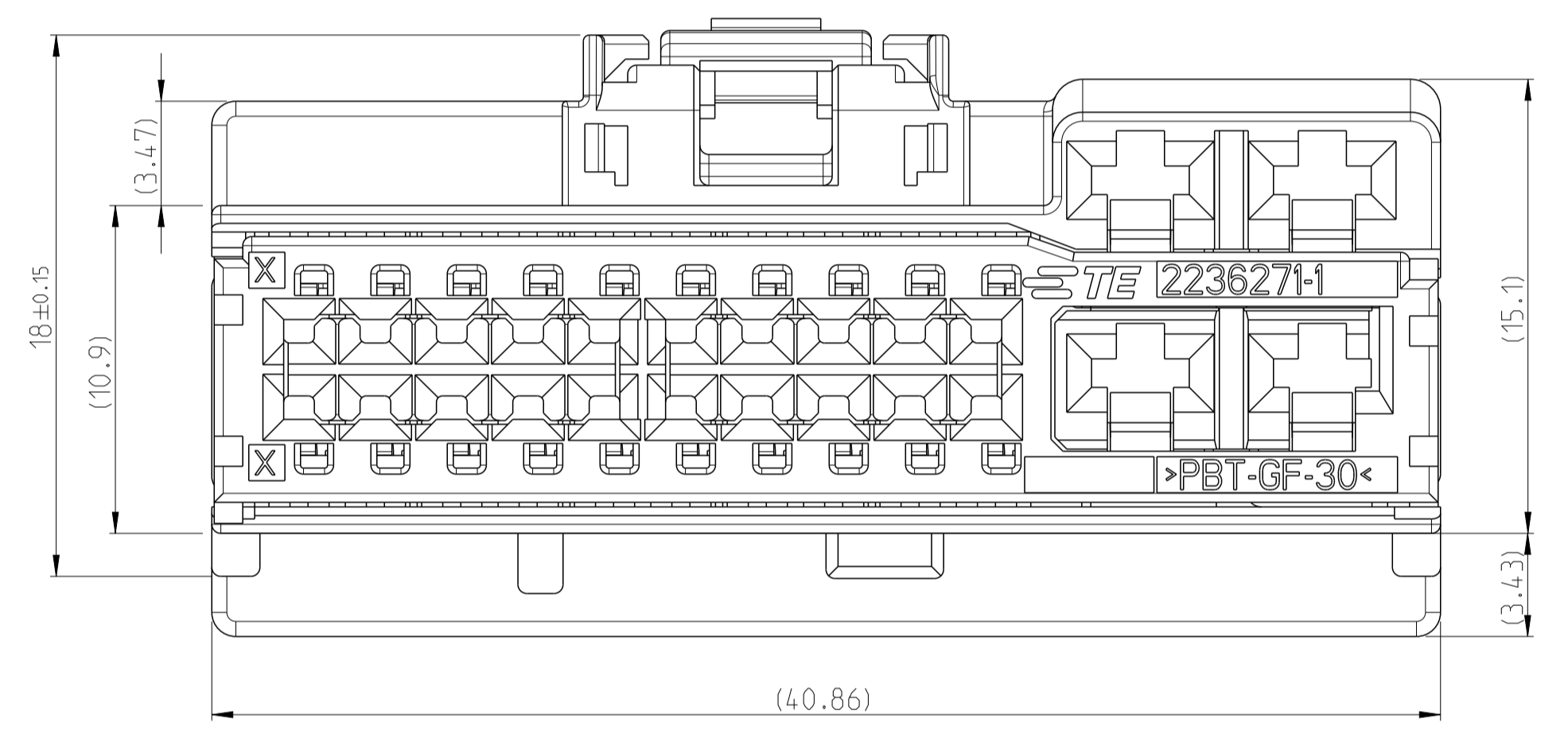
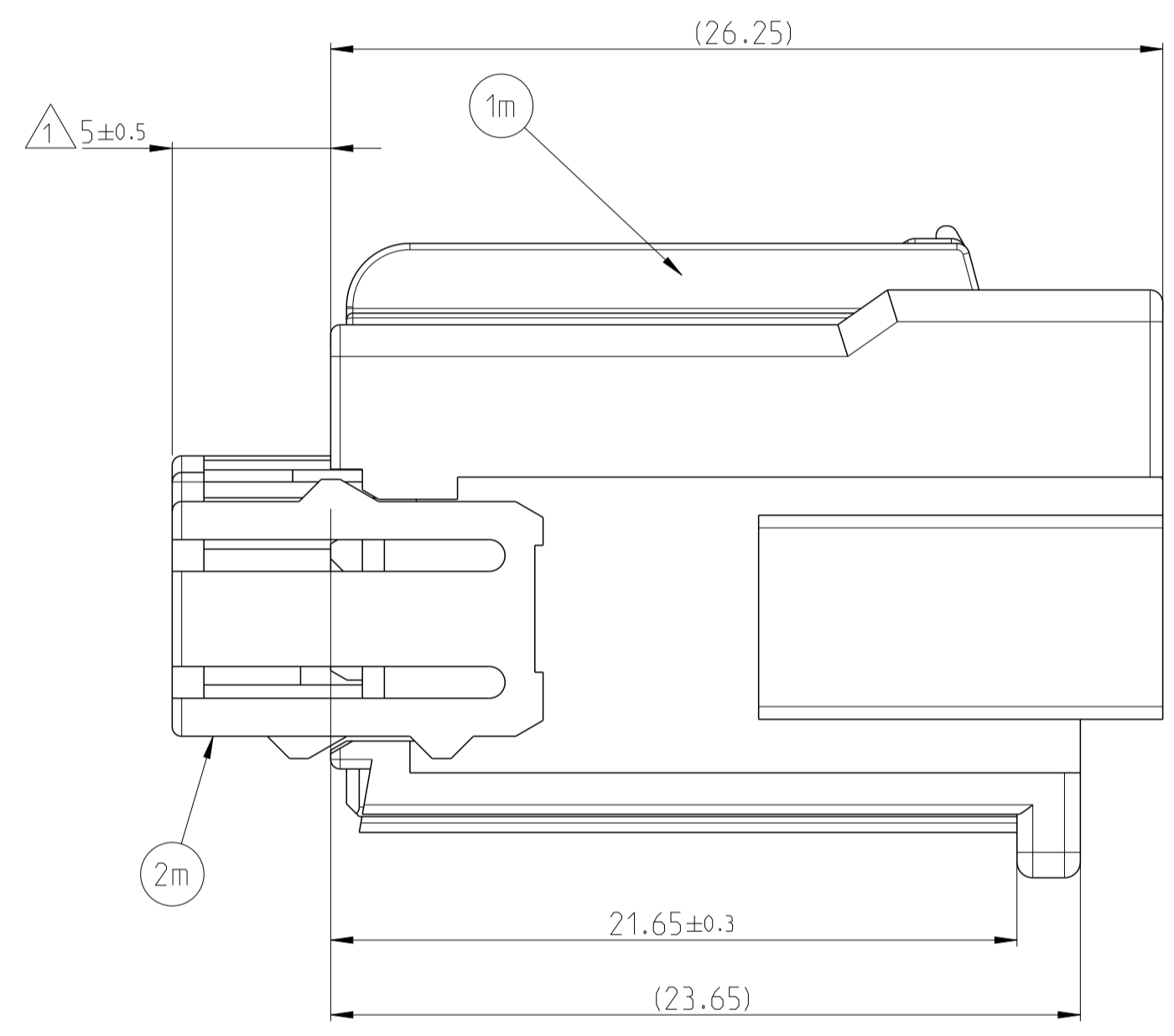
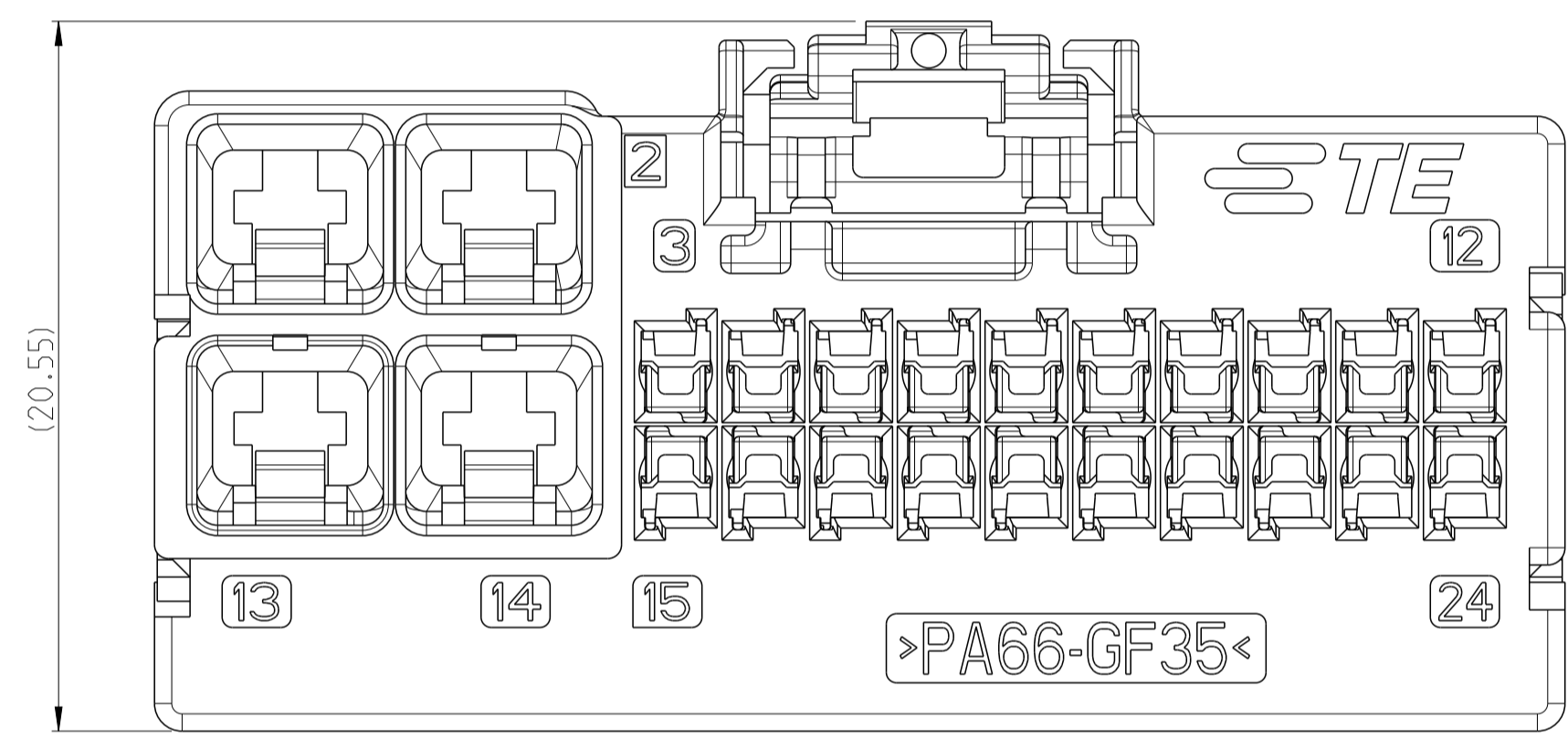
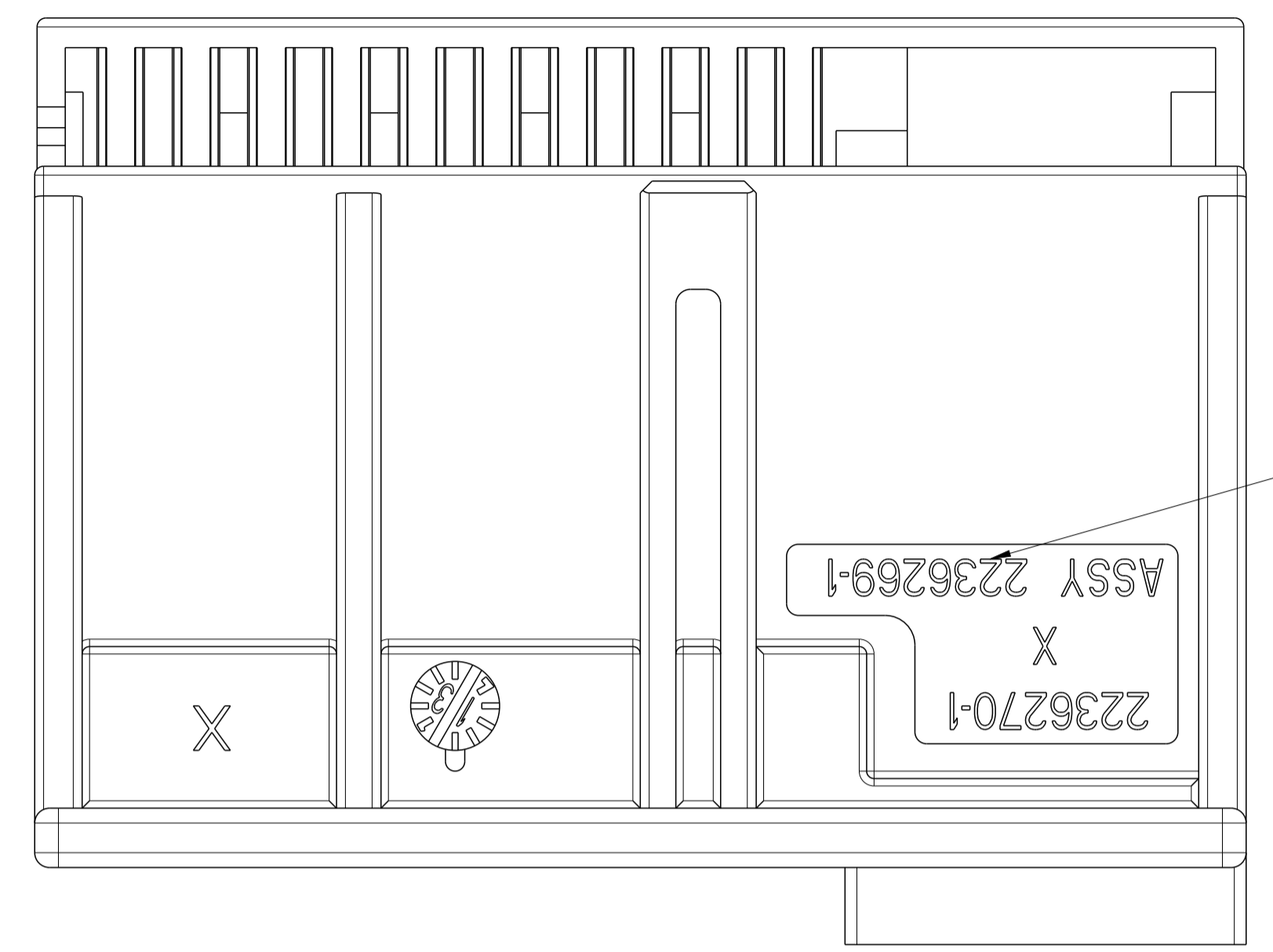
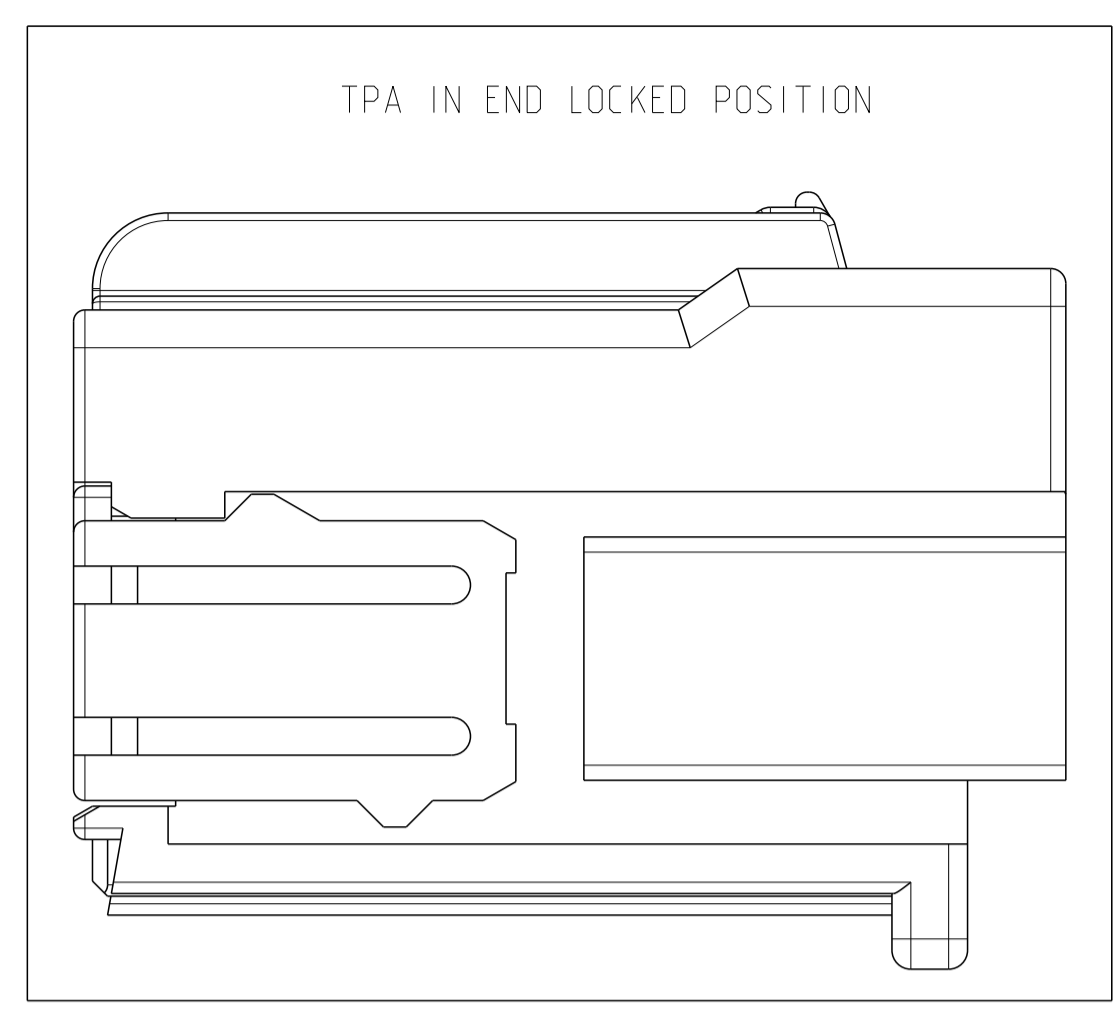
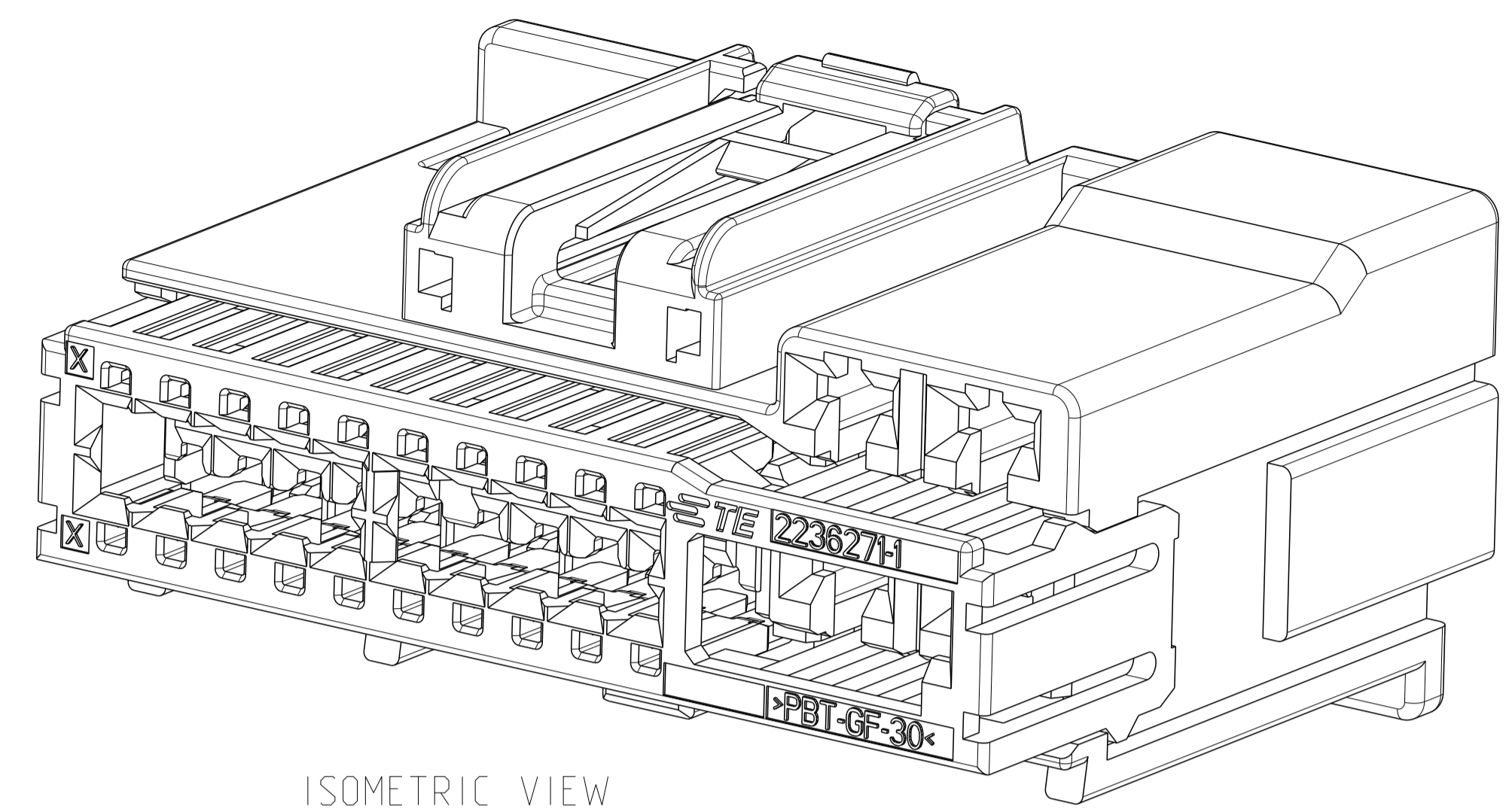
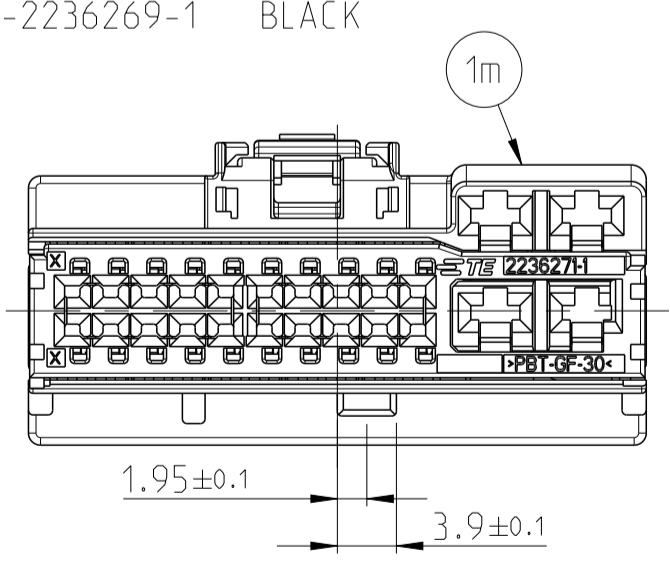
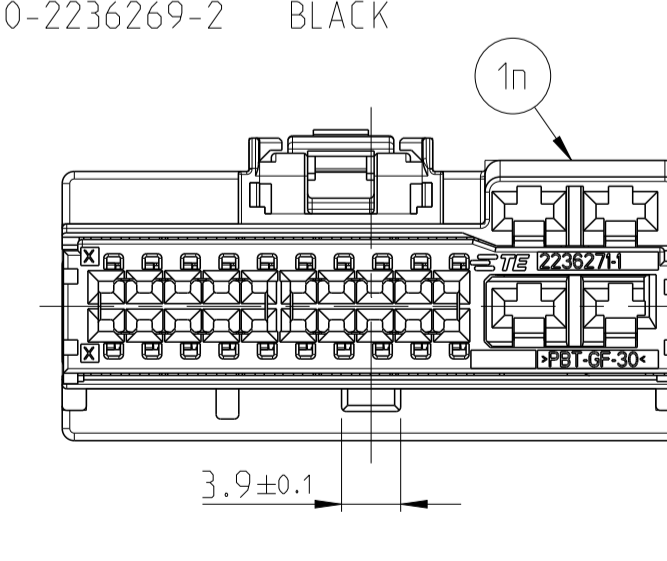
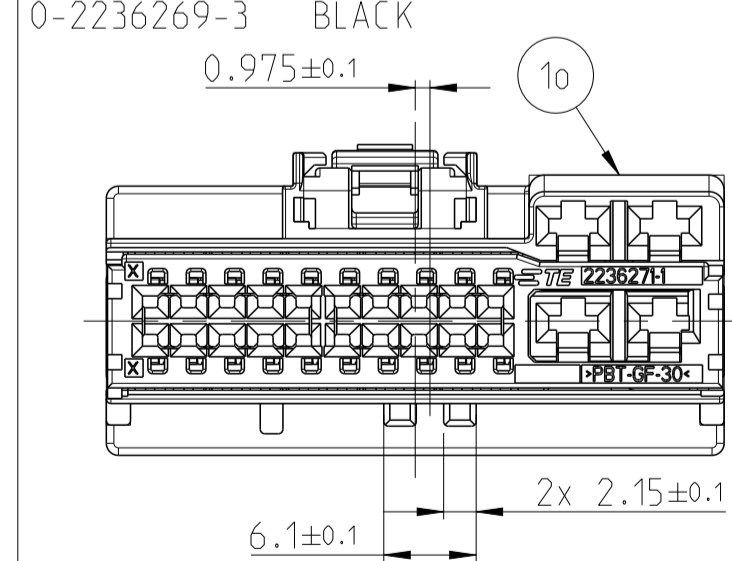
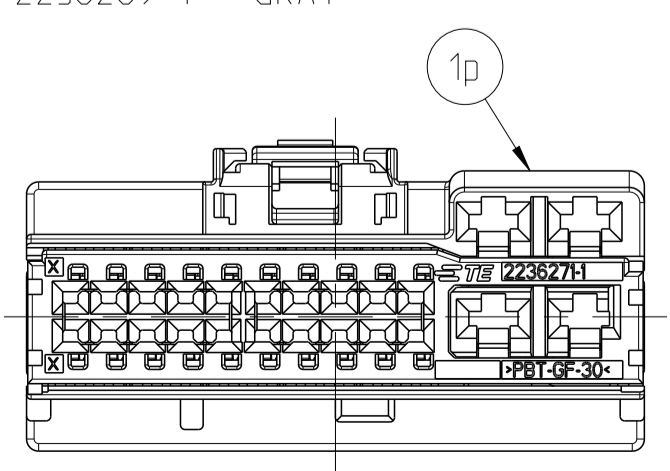
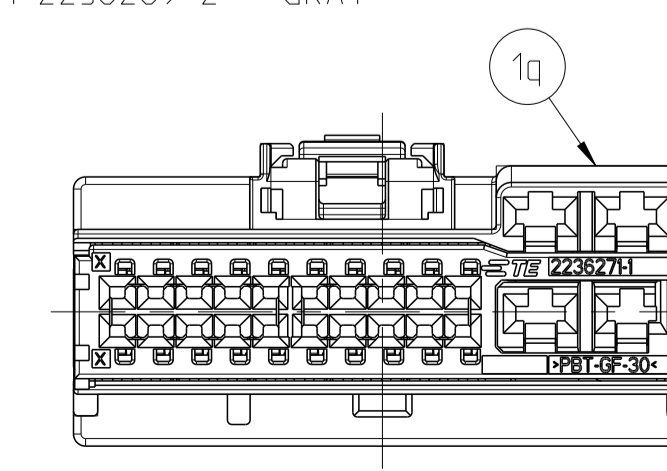
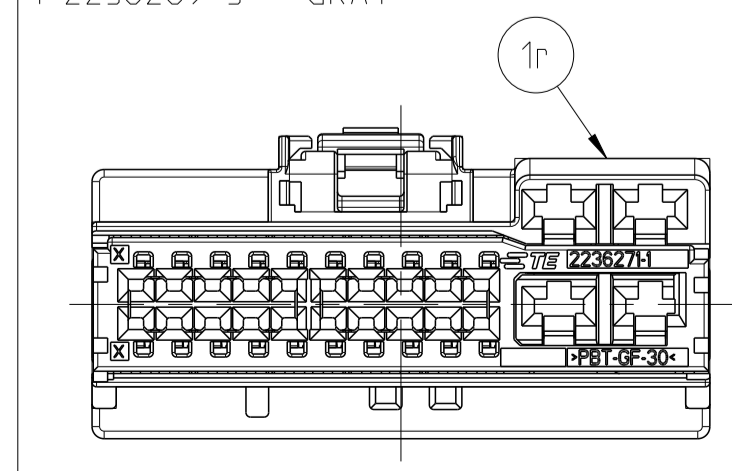


LOC	DIST	REVISIONS			
P	LTN	DESCRIPTION	DATE	OWN	APP'D
A	-	INITIAL RELEASE	05NOV2013	CW	HR
B	-	SEE ECR-14-017075	24NOV2014	CW	HR
C	-	SEE ECR-17-003549	20MAY2016	JR	HR
C1	-	SEE ECR-17-009079	22JUN2017	JR	HR



2K PRODUCTION SHEET 1

APPLICABLE TERMINALS		
0.64 GENERATION Y UNSEALED FEMALE TERMINAL (0.13mm ²)	TIN	0-2035334-5
0.64 GENERATION Y UNSEALED FEMALE TERMINAL (0.35mm ² -0.50mm ²)	TIN	0-2035334-1
0.64 GENERATION Y UNSEALED FEMALE TERMINAL (0.75mm ²)	TIN	0-2035334-2
MCP 2.8 LANCELESS FEMALE TERMINAL (1.0mm ² -2.50mm ²)	TIN	1-1355877-1
MCP 2.8 LANCELESS FEMALE TERMINAL (2.5mm ² -4.0mm ²)	TIN	1-1355880-1
DESCRIPTION	PLATING COLOUR	TE CONNECTIVITY COMP. PART NO.

KEYING OPTIONS		
KEYING A	KEYING B	KEYING C
0-2236269-1 BLACK	0-2236269-2 BLACK	0-2236269-3 BLACK
		
1-2236269-1 GRAY	1-2236269-2 GRAY	1-2236269-3 GRAY
		

- NOTES:
- 1 TPA SHIPPED IN PRE-LATCHED POSITION IN TRAYS.
 - 2 ASSEMBLY PART NUMBER
 - 3 CPA OPTIONAL (NOT REQUIRED IN THE THE MOMENT)

QTY	RECD	PER	ASSY	DESCRIPTION	WEIGHT (g)	COLOUR	ITEM NO.			
1x	1x	1x	1x	1x	1x	1x	2236271-1 24POS TPA	RED	2m	
1x	-	-	-	-	-	-	1-2236270-3 24 POS RECEPTACLE HOUSING KEYING C	GRAY	1r	
-	1x	-	-	-	-	-	1-2236270-2 24 POS RECEPTACLE HOUSING KEYING B	GRAY	1q	
-	-	1x	-	-	-	-	1-2236270-1 24 POS RECEPTACLE HOUSING KEYING A	GRAY	1p	
-	-	-	1x	-	-	-	2236270-3 24 POS RECEPTACLE HOUSING KEYING C	BLACK	1o	
-	-	-	-	1x	-	-	2236270-2 24 POS RECEPTACLE HOUSING KEYING B	BLACK	1n	
-	-	-	-	-	1x	-	2236270-1 24 POS RECEPTACLE HOUSING KEYING A	BLACK	1m	
1-2236269-3	1-2236269-2	1-2236269-1	2236269-3	2236269-2	2236269-1	PART NO	DESCRIPTION	WEIGHT (g)	COLOUR	ITEM NO.
c	c	c	c	c	c					
REVISION OF EACH ASSY NO										
WEIGHT OF EACH ASSY NO (g)										
QTY RECD PER ASSY								PARTS LIST		

THIS DRAWING IS A CONTROLLED DOCUMENT.

OWN: C.WEBER 14MAR2017
CHK: C.WEBER 14MAR2017
APP'D: H.STRIPPER 14MAR2017

DIMENSIONS: mm
TOLERANCES UNLESS OTHERWISE SPECIFIED:
0 PLC ±0.1
1 PLC ±0.1
2 PLC ±0.1
3 PLC ±0.1
4 PLC ±0.1
ANGLES ±1°
FINISH

MATERIAL: -
FINISH: -

Customer Drawing

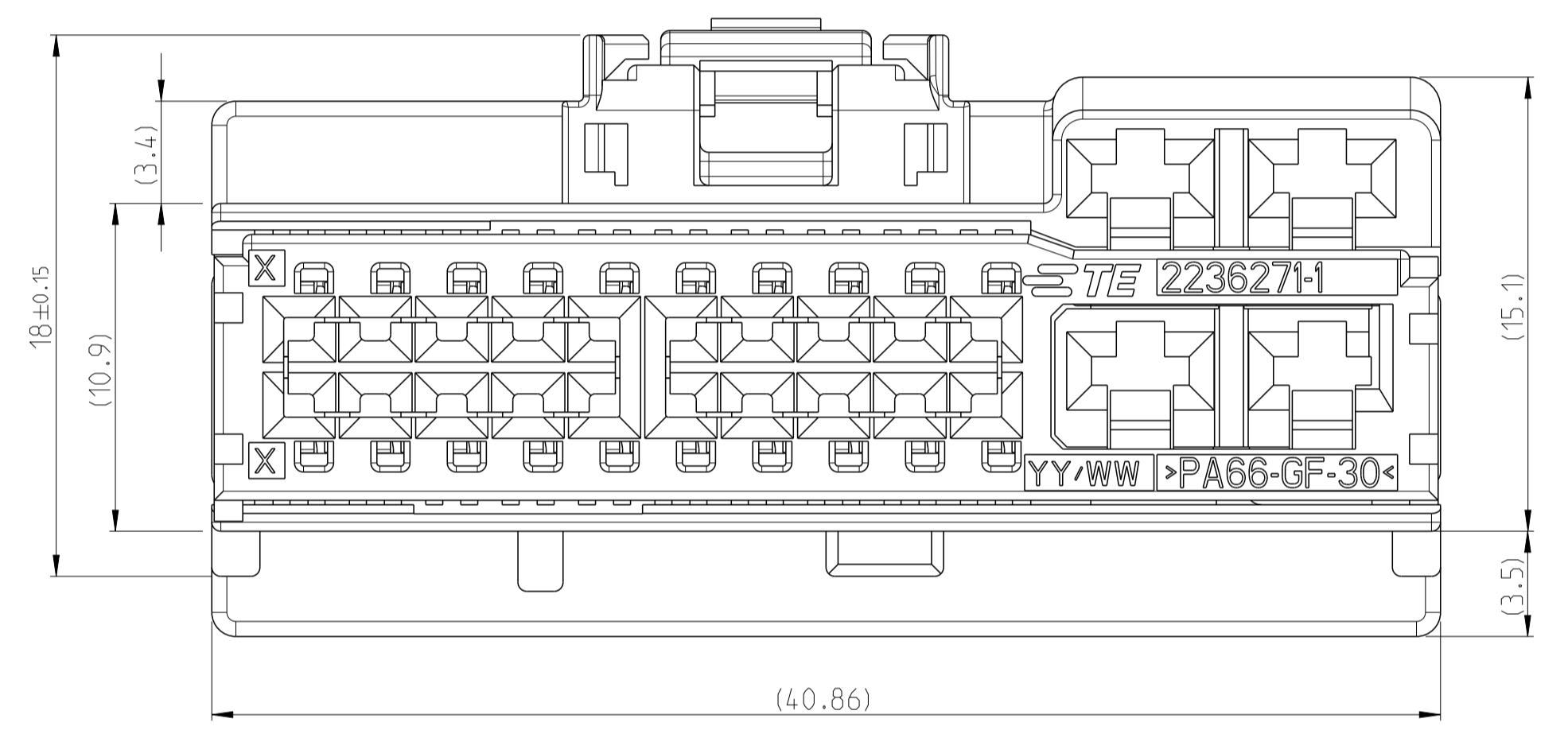
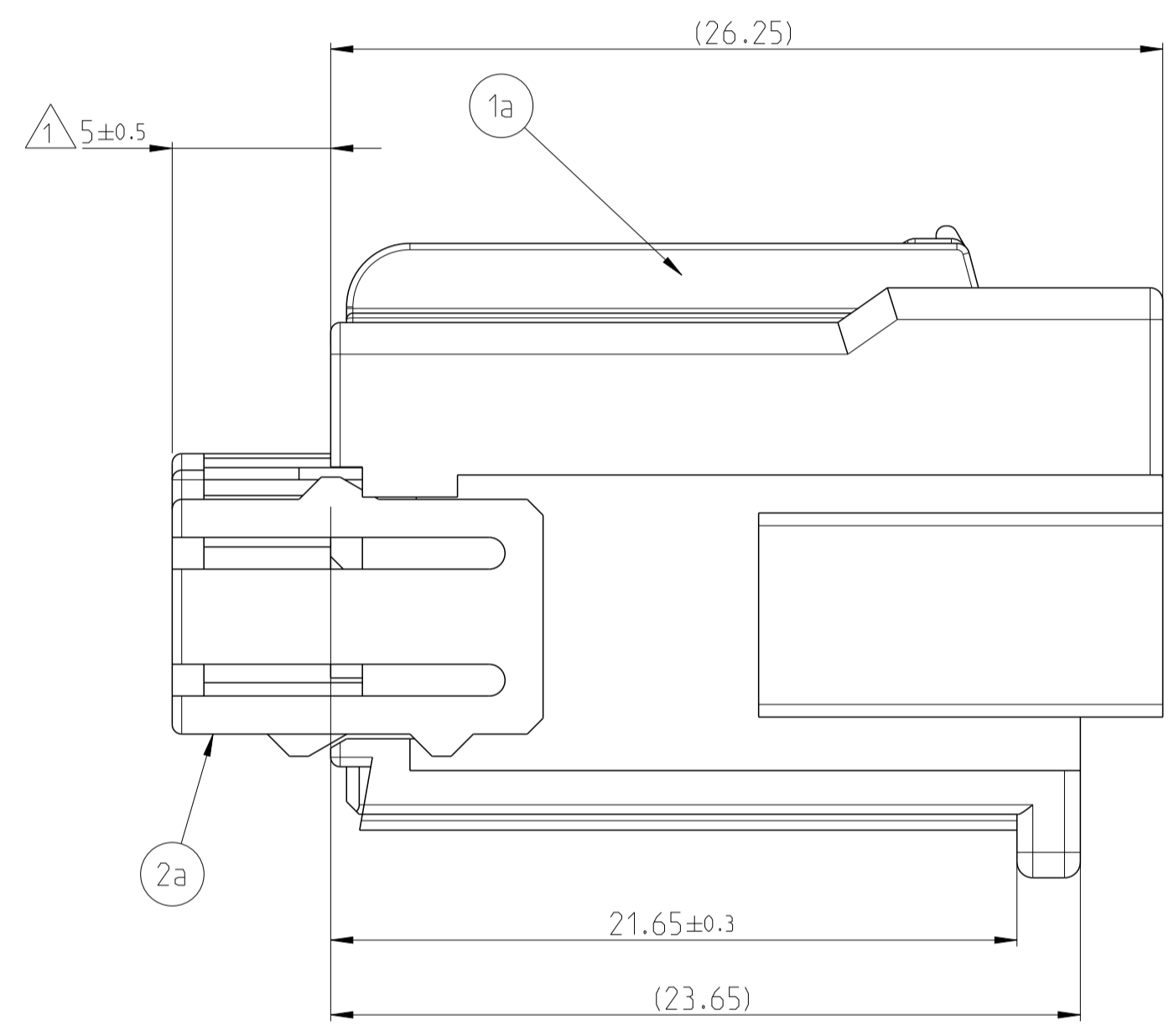
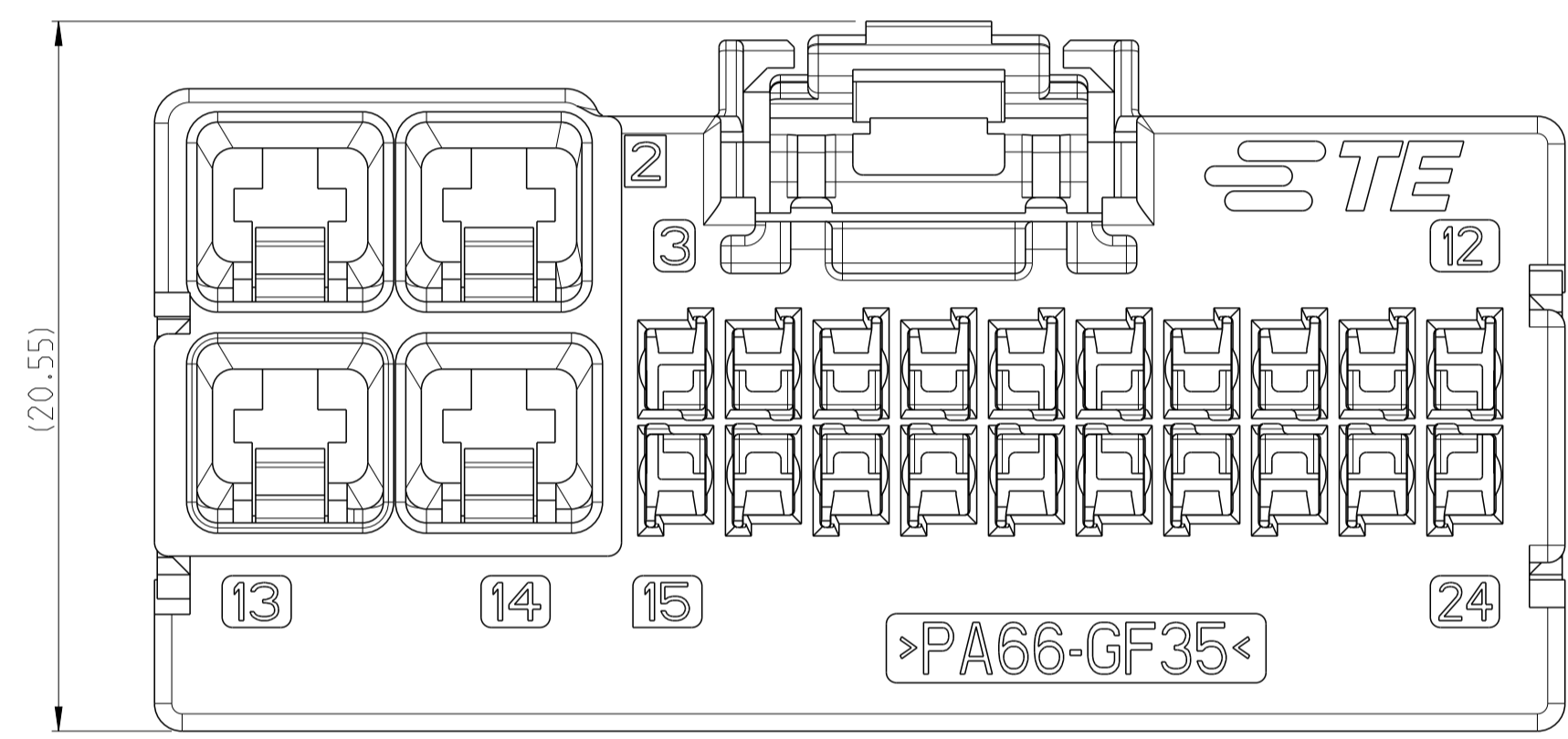
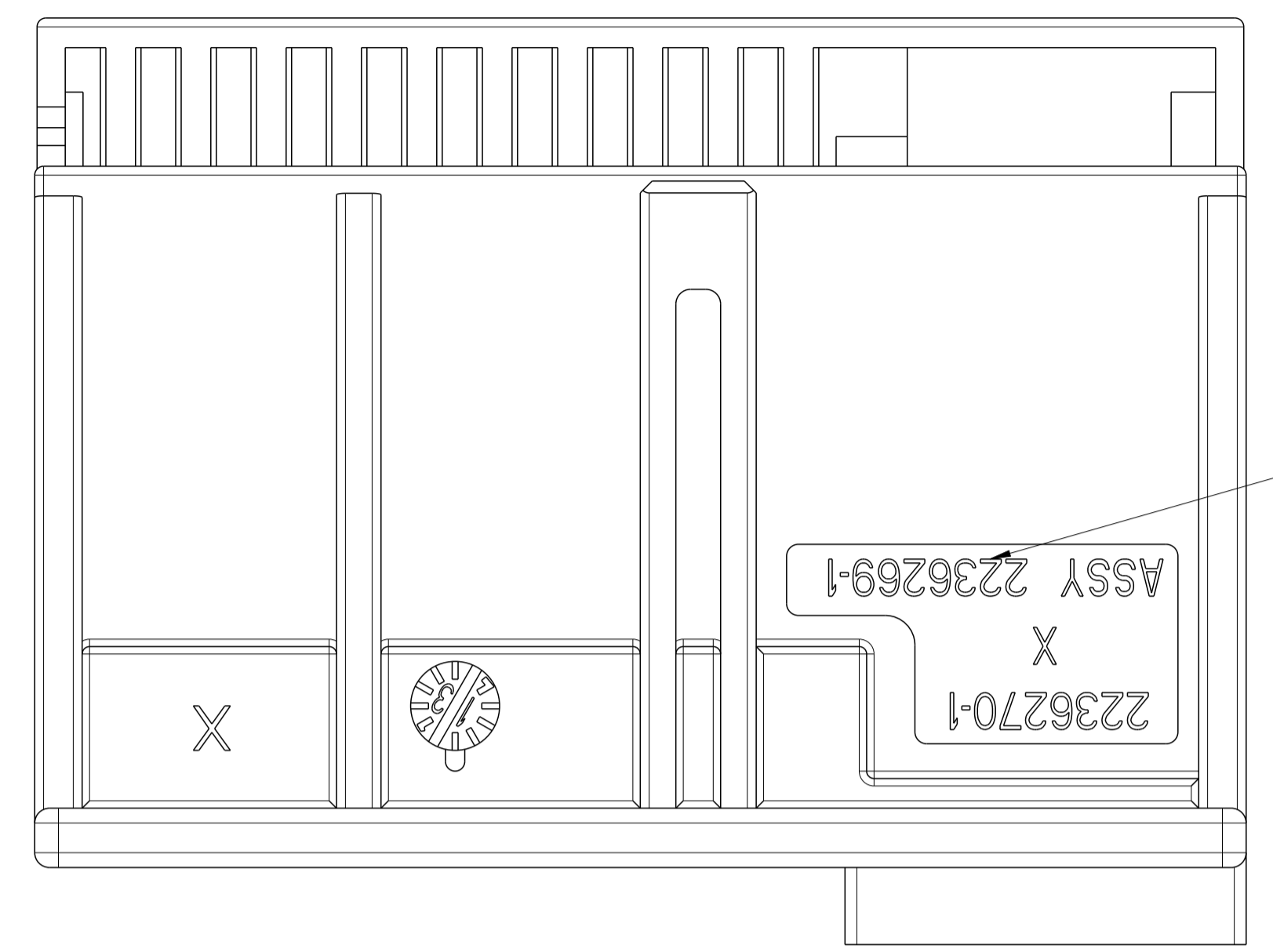
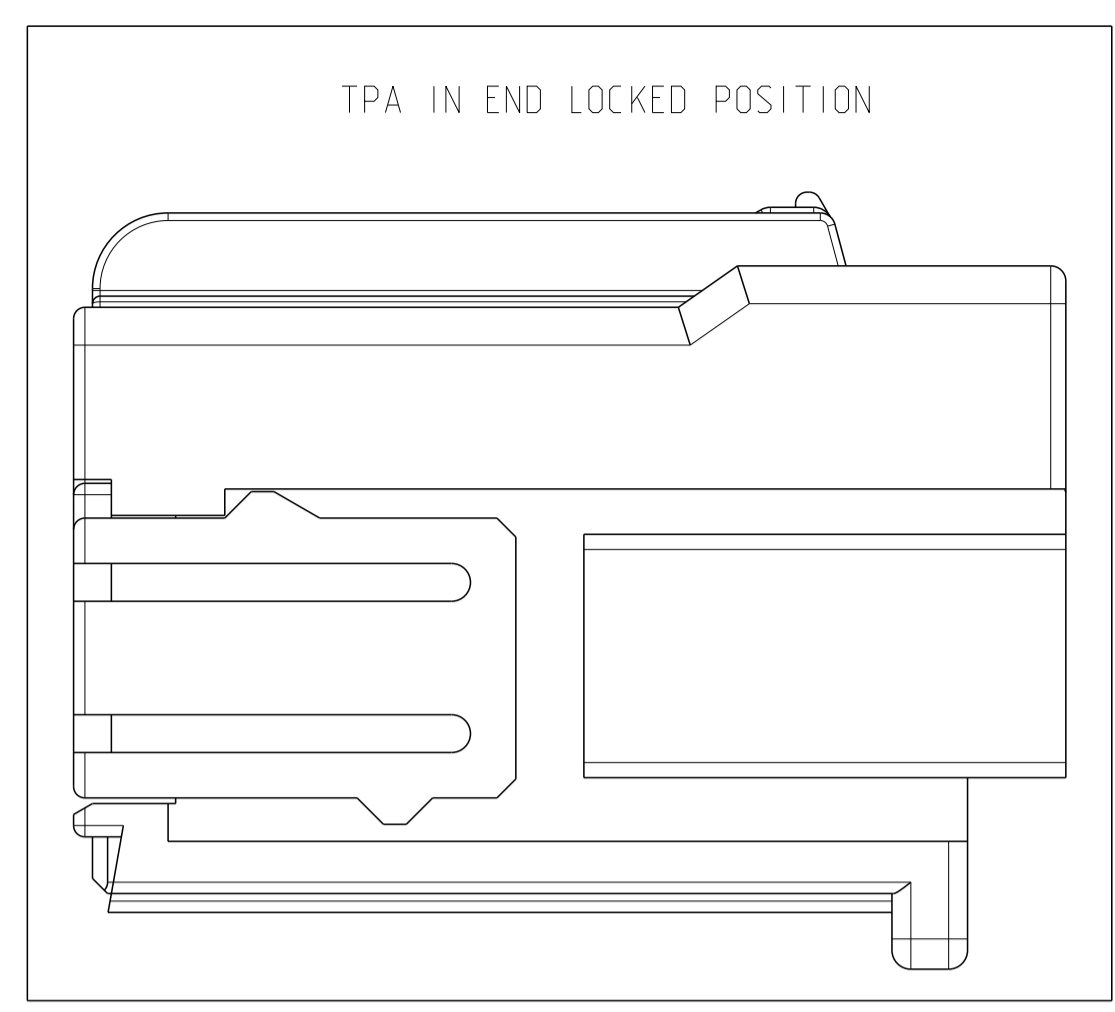
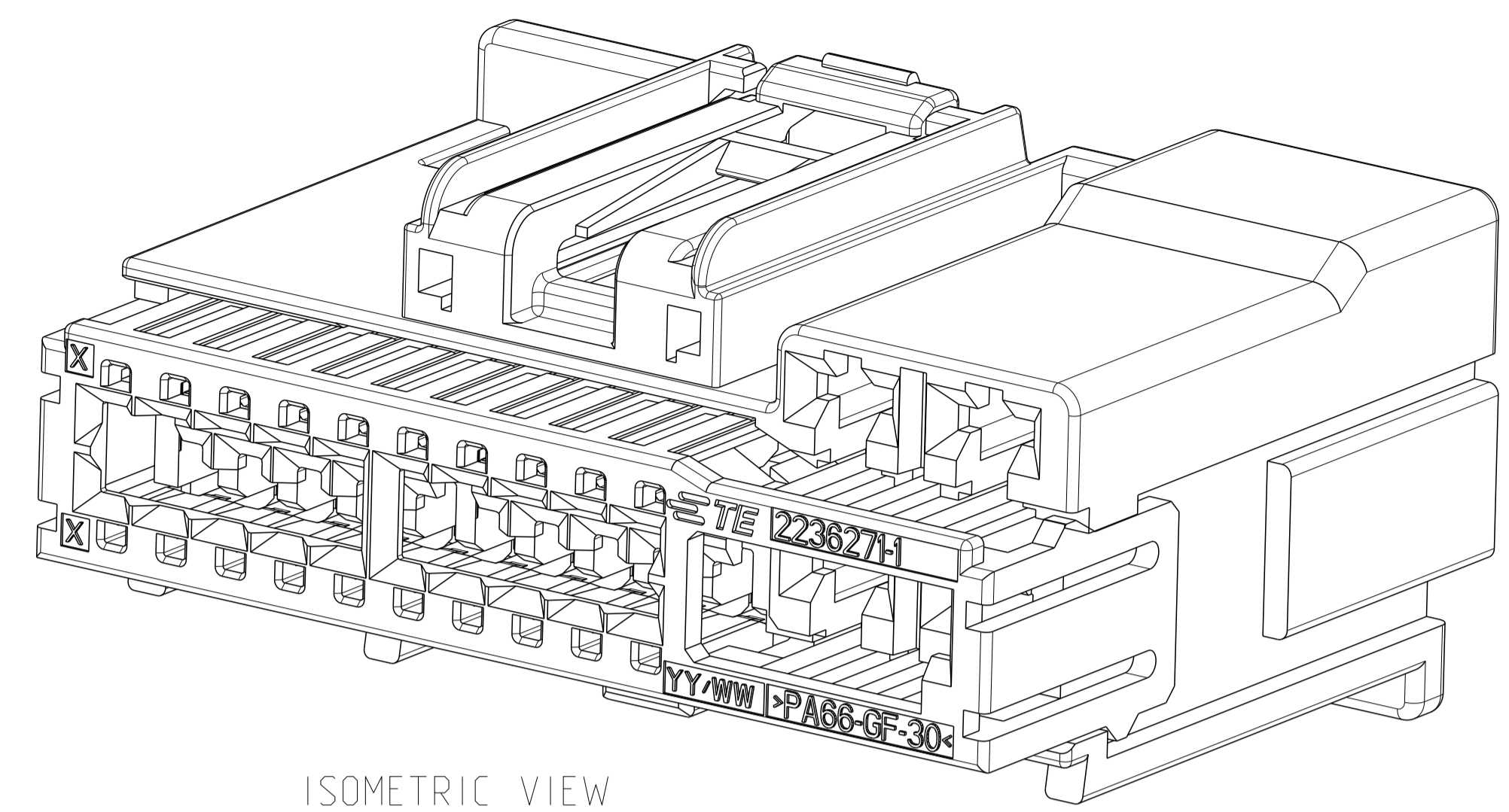
NAME: 24P UNSEALED HYBRID (4X 2.8, 20X 0.64)

SIZE: A1
CAGE CODE: 00779
DRAWING NO: 2236269

SCALE: 5:1
SHEET: 1 OF 2
REV: C1

LOC	DIST	REV	DATE	APPV
A1	-			

REVISIONS			
DESCRIPTION	DATE	OWN	APPV
SEE SHEET 1			



NON 2K PRODUCTION SHEET 2

APPLICABLE TERMINALS		
0.64 GENERATION Y UNSEALED FEMALE TERMINAL (0.13mm ²)	TIN	0-2035334-5
0.64 GENERATION Y UNSEALED FEMALE TERMINAL (0.35mm ² -0.50mm ²)	TIN	0-2035334-1
0.64 GENERATION Y UNSEALED FEMALE TERMINAL (0.75mm ²)	TIN	0-2035334-2
MCP 2.8 LANCELESS FEMALE TERMINAL (1.0mm ² -2.50mm ²)	TIN	1-1355877-1
MCP 2.8 LANCELESS FEMALE TERMINAL (2.5mm ² -4.0mm ²)	TIN	1-1355880-1
DESCRIPTION	PLATING COLOUR	TE CONNECTIVITY COMP. PART NO.

KEYING OPTIONS			SCALE 2:1		
KEYING A	KEYING B	KEYING C	KEYING A	KEYING B	KEYING C
0-2236269-1 BLACK	0-2236269-2 BLACK	0-2236269-3 BLACK			
1.95±0.1	3.9±0.1	0.975±0.1	1.95±0.1	3.9±0.1	0.975±0.1
1-2236269-1 GRAY	1-2236269-2 GRAY	1-2236269-3 GRAY			
6.1±0.1	2x 2.15±0.1	6.1±0.1	6.1±0.1	2x 2.15±0.1	6.1±0.1

- NOTES:
- 1 TPA SHIPPED IN PRE-LATCHED POSITION IN TRAYS.
 - 2 ASSEMBLY PART NUMBER
 - 3 CPA OPTIONAL (NOT REQUIRED IN THE THE MOMENT)

QTY	RECD	PER	ASSY	DESCRIPTION	WEIGHT (g)	COLOUR	ITEM NO	
1x	1x	1x	1x	1x	1x	1x	2236271-1 24POS TPA	RED 2a
1x	-	-	-	-	-	-	1-2236270-3 24 POS RECEPTACLE HOUSING KEYING C	GRAY 1f
-	1x	-	-	-	-	-	1-2236270-2 24 POS RECEPTACLE HOUSING KEYING B	GRAY 1e
-	-	1x	-	-	-	-	1-2236270-1 24 POS RECEPTACLE HOUSING KEYING A	GRAY 1d
-	-	-	1x	-	-	-	2236270-3 24 POS RECEPTACLE HOUSING KEYING C	BLACK 1c
-	-	-	-	1x	-	-	2236270-2 24 POS RECEPTACLE HOUSING KEYING B	BLACK 1b
-	-	-	-	-	1x	-	2236270-1 24 POS RECEPTACLE HOUSING KEYING A	BLACK 1a
1-2236269-3	1-2236269-2	1-2236269-1	2236269-3	2236269-2	2236269-1		PART NO DESCRIPTION WEIGHT (g) COLOUR ITEM NO	
B	B	B	B	B	B		REVISION OF EACH ASSY NO	
							WEIGHT OF EACH ASSY NO (g)	
QTY RECD PER ASSY							PARTS LIST	

THIS DRAWING IS A CONTROLLED DOCUMENT.

OWN: C. WEBER 05NOV2013
 CHK: H. RIPPER 05NOV2013
 APVD: E. MUMMER 05NOV2013

DIMENSIONS: mm
 TOLERANCES UNLESS OTHERWISE SPECIFIED:
 0 PLC ±0.1
 1 PLC ±0.1
 2 PLC ±0.1
 3 PLC ±0.1
 4 PLC ±0.1
 ANGLES ±1°
 FINISH

MATERIAL: -
 FINISH: -

Customer Drawing

NAME: 24P UNSEALED HYBRID (4X 2.8, 20X 0.64)
 SIZE: A1
 CAGE CODE: 00779
 DRAWING NO: 2236269
 SCALE: 1:1
 SHEET: 2 OF 2
 REV: C 1