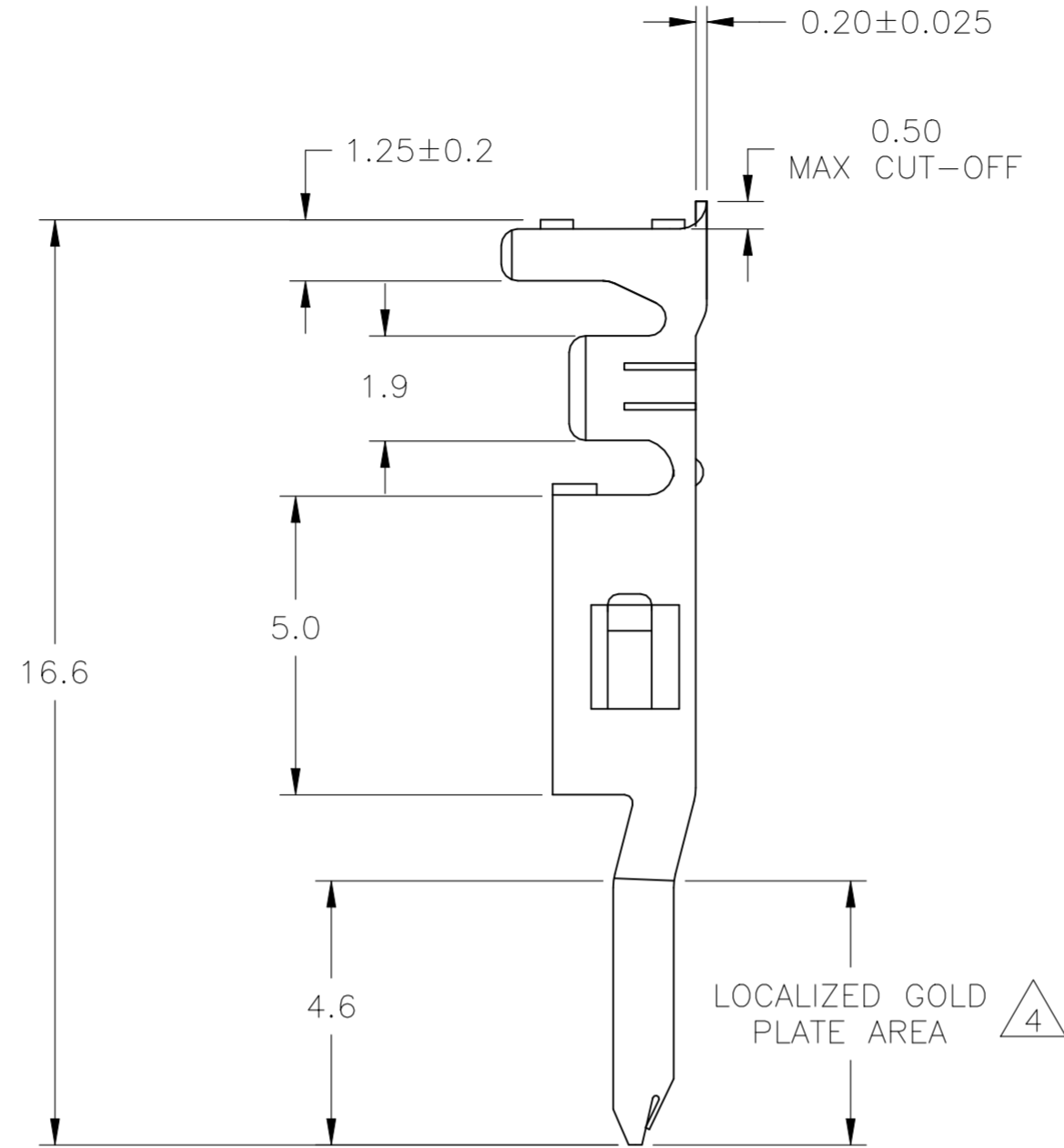
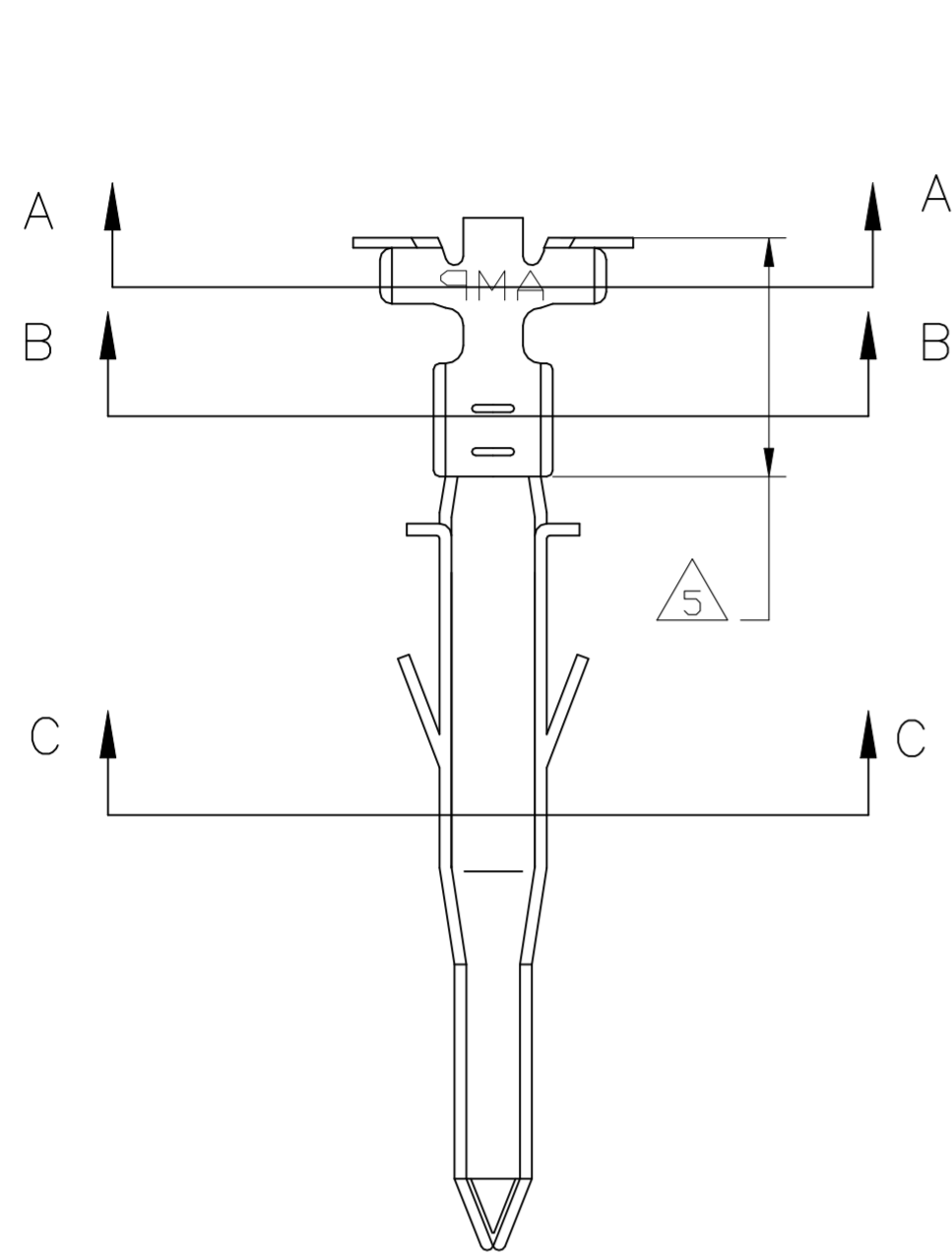
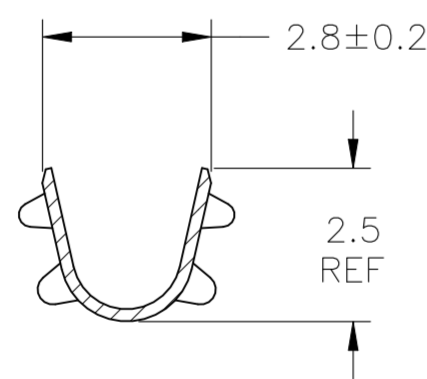


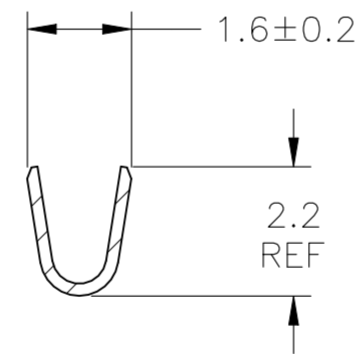
REVISIONS					
P	LTR	DESCRIPTION	DATE	DWN	APVD
A1		REVISED PER ECR-23-173068	18DEC2023	P.C	D.Z



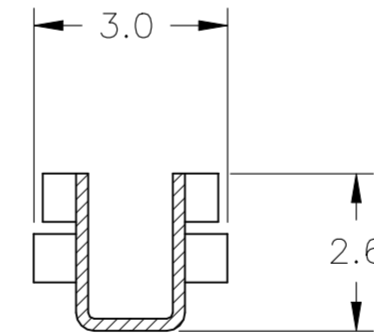
- 1 WIRE RANGE 0.13-0.3mm² [26-22 AWG]
- 2 INSULATION RANGE 1.20-1.75
- △3 FINISH: 1.27µm MIN NICKEL ALL OVER
- △4 FINISH: 0.76µm MIN GOLD ON INNER SURFACE, PERMITTED ON OUTER SURFACE.
- △5 FINISH: 2.54µm MIN TIN ON ALL SURFACES IN THIS AREA.
- △6 FINISH: 2.54µm MINIMUM PRE-TIN OVERALL
- △7 PRELIMINARY PART - NOT RELEASED FOR PRODUCTION THIS PRODUCT HAS NOT COMPLETED QUALIFICATION TESTING



SECTION A-A



SECTION B-B



SECTION C-C

△5 GOLD △3 △4	PHOS BRONZE	△7 2238022-4
PRE-TIN △6	PHOS BRONZE	△7 2238022-3
△5 GOLD △3 △4	BRASS	△7 2238022-2
PRE-TIN △6	BRASS	2238022-1
FINISH	MATERIAL	PART NO.

THIS DRAWING IS A CONTROLLED DOCUMENT.		DWN JR RUTH 25FEB14	TE TE Connectivity	
DIMENSIONS: mm [INCHES]		CHK K RANDOLPH 25FEB14		
TOLERANCES UNLESS OTHERWISE SPECIFIED:		APVD K RANDOLPH 25FEB14	NAME PIN TERMINAL, VAL-U-LOK, LOOSE PIECE	
0 PLC ± -		PRODUCT SPEC 108-2112	SIZE A2	
1 PLC ± 0.3		APPLICATION SPEC 114-1172	CAGE CODE 00779	DRAWING NO C=2238022
2 PLC ± 0.10		MATERIAL SEE TABLE	SCALE 8:1	SHEET 1 OF 1
3 PLC ± -		FINISH SEE TABLE	REV A1	RESTRICTED TO -
4 PLC ± -		WEIGHT -	CUSTOMER DRAWING	
ANGLES ± -				