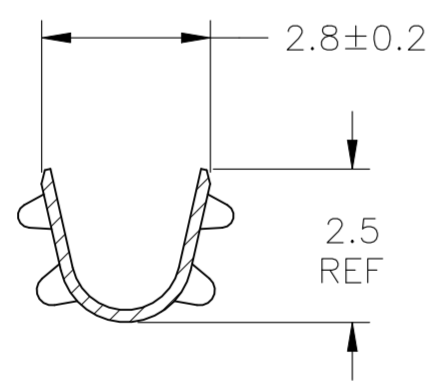
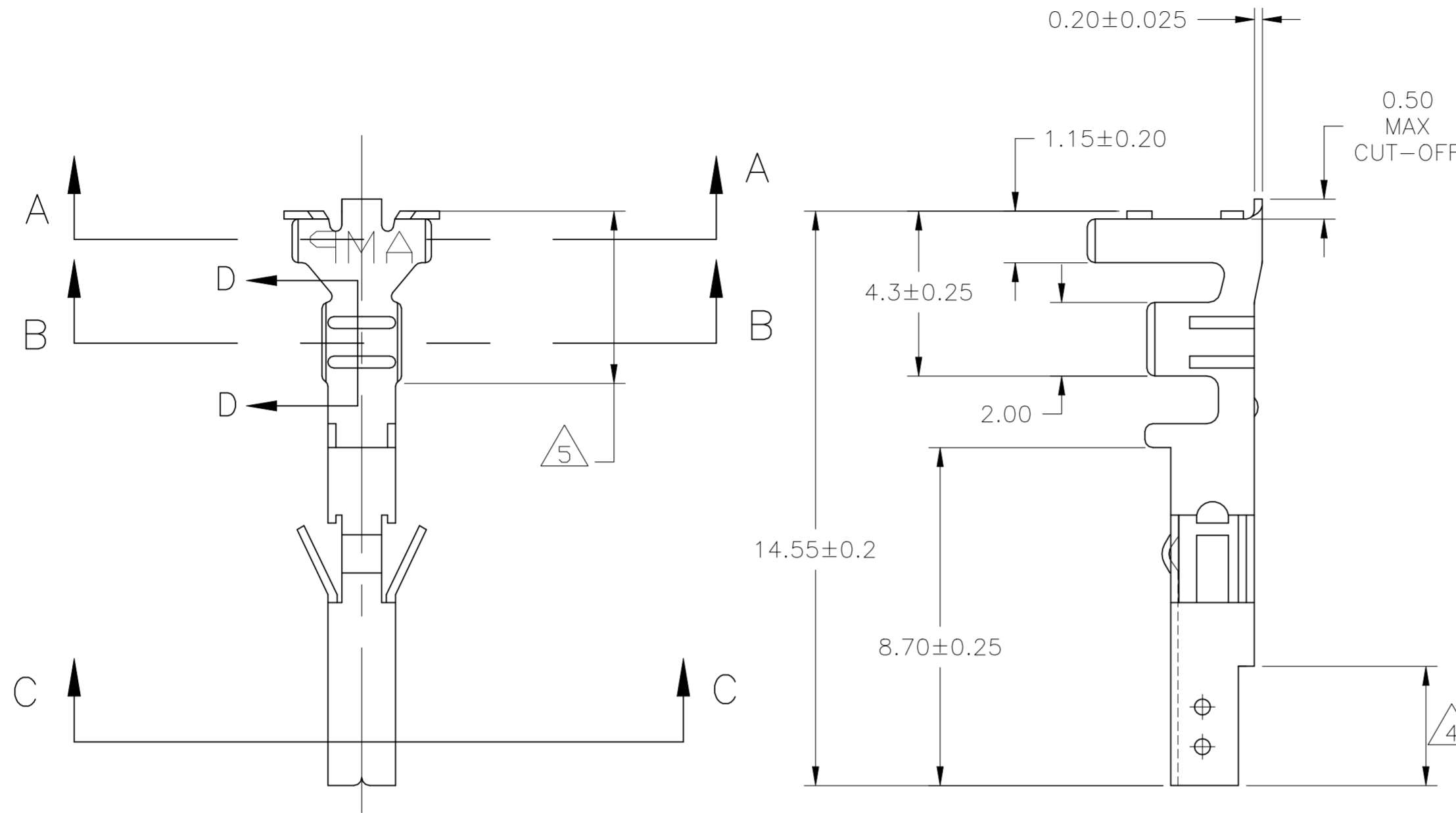
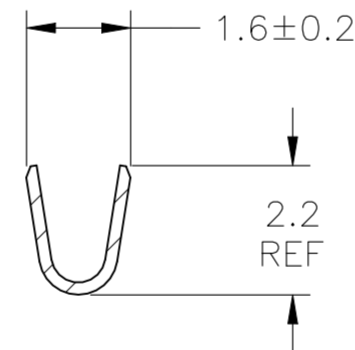


REVISIONS					
P	LTR	DESCRIPTION	DATE	DWN	APVD
A1		REVISED PER ECR-23-173068	18DEC2023	P.C	D.Z

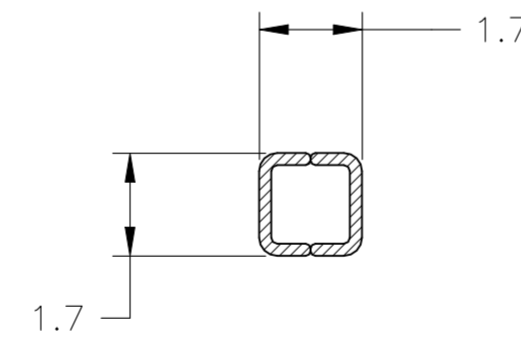
- 1 WIRE RANGE 0.13-0.3mm² [#26-#22 AWG]
- 2 INSULATION RANGE 120-1.75
- △3 FINISH: 1.27µm MIN NICKEL ALL OVER
- △4 FINISH: 0.76µm MIN GOLD ON INNER SURFACE, PERMITTED ON OUTER SURFACE.
- △5 FINISH: 2.54µm MIN TIN ON ALL SURFACES IN THIS AREA.
- △6 FINISH: 2.54µm MINIMUM PRE-TIN OVERALL
- △7 PRELIMINARY PART - NOT RELEASED FOR PRODUCTION
THIS PRODUCT HAS NOT COMPLETED QUALIFICATION TESTING



SECTION A-A



SECTION B-B



SECTION C-C

△5 GOLD △3 △4	PHOS BRONZE	△7 2238023-4
PRE-TIN △6	PHOS BRONZE	△7 2238023-3
△5 GOLD △3 △4	BRASS	△7 2238023-2
PRE-TIN △6	BRASS	2238023-1
FINISH	MATERIAL	PART NO.

THIS DRAWING IS A CONTROLLED DOCUMENT.		DWN JR RUTH 25FEB14	TE TE Connectivity	
DIMENSIONS: mm [INCHES]		CHK K RANDOLPH 25FEB14		
TOLERANCES UNLESS OTHERWISE SPECIFIED:		APVD K RANDOLPH 25FEB14	NAME	
0 PLC ± -		PRODUCT SPEC	SOCKET TERMINAL, VAL-U-LOK, LOOSE PIECE	
1 PLC ± 0.3		108-2112	-	
2 PLC ± 0.10		APPLICATION SPEC	SIZE	CAGE CODE
3 PLC ± -		114-13172	A2	00779
4 PLC ± -		WEIGHT	DRAWING NO	
ANGLES ± -		-	C=2238023	
MATERIAL SEE TABLE	FINISH SEE TABLE	CUSTOMER DRAWING	SCALE	SHEET
			8:1	1 OF 1
			REV	A1