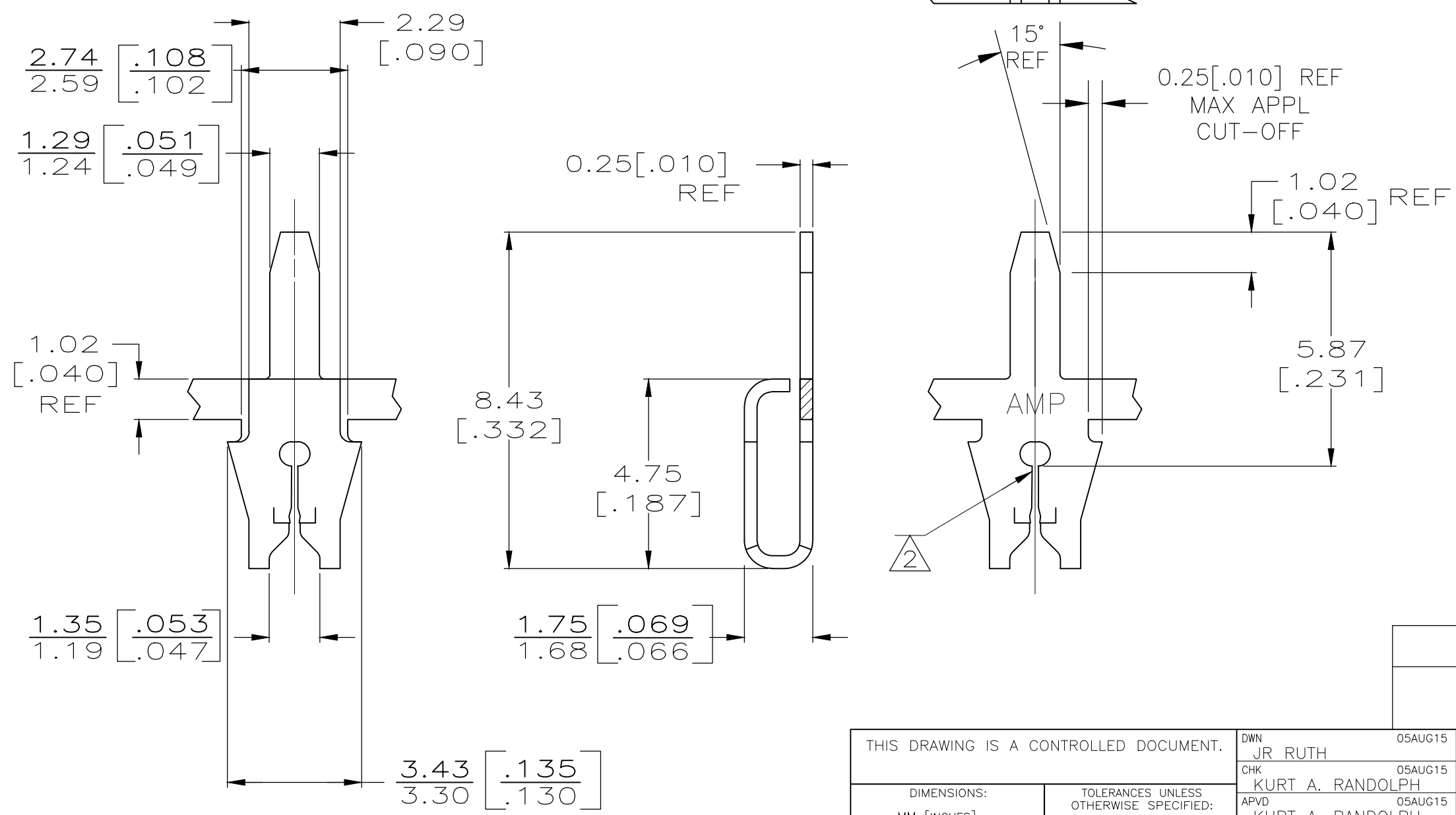


THIS DRAWING IS UNPUBLISHED. RELEASED FOR PUBLICATION  
 © COPYRIGHT - By - ALL RIGHTS RESERVED.


REVISIONS				
P	LTR	DESCRIPTION	DATE	APVD
	A1	REVISED PER ECR-18-014360	26SEP2018	BDA KR

- 1 CONTINUOUS STRIP ON REELS WITH TERMINALS LOCATED ON 5.08±0.08 [.200±.003] CENTERS.
- 2 SLOT ACCEPTS A SINGLE OR DOUBLE WIRE OF SAME SIZE AND TYPE.  
 COPPER MAGNET WIRE:  
 DIA 0.18-0.23mm [#33-#31] AWG  
 ALUMINUM MAGNET WIRE:  
 DIA 0.23-0.29mm [#31-#29] AWG

IDENTIFICATION NUMBER 4 FOR MAGNET WIRE RANGE



BRASS	2238060-1
MATERIAL	PART NUMBER

THIS DRAWING IS A CONTROLLED DOCUMENT.		DWN	JR RUTH	05AUG15	 TE Connectivity NAME KURT A. RANDOLPH PRODUCT SPEC 108-2012 APPLICATION SPEC 114-2069 WEIGHT CUSTOMER DRAWING	TERMINAL, POSTED, 187 SERIES, MAG-MATE™		RESTRICTED TO		
DIMENSIONS: MM [INCHES]		CHK	KURT A. RANDOLPH	05AUG15		SIZE	CAGE CODE	DRAWING NO	-	
TOLERANCES UNLESS OTHERWISE SPECIFIED:		APVD	KURT A. RANDOLPH	05AUG15		A3	00779	C-2238060	-	
0 PLC ± - 1 PLC ± - 2 PLC ± 0.25 [.010] 3 PLC ± - 4 PLC ± - ANGLES ± -		MATERIAL		FINISH		SCALE		SHEET		
SEE TABLE		TIN PLATE		8:1		1 OF 1		REV A1		