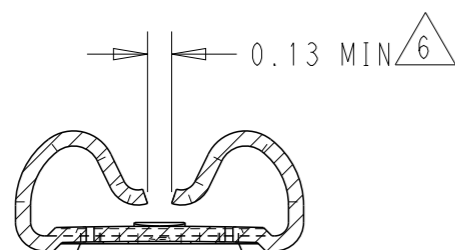
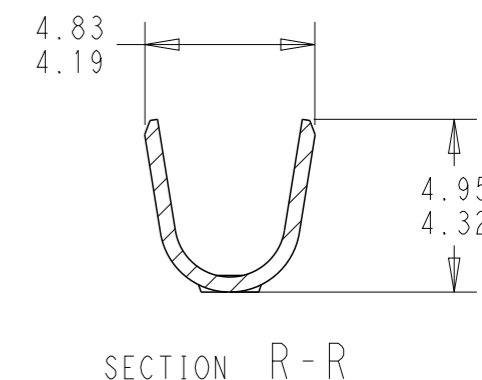
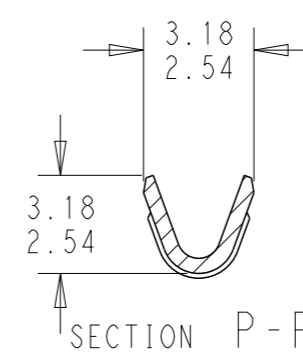
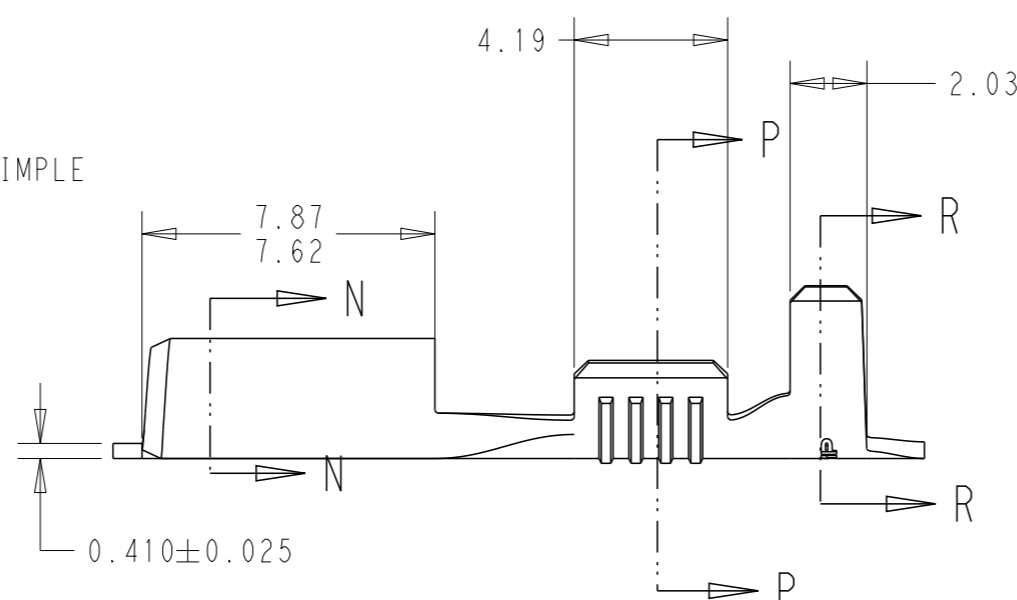
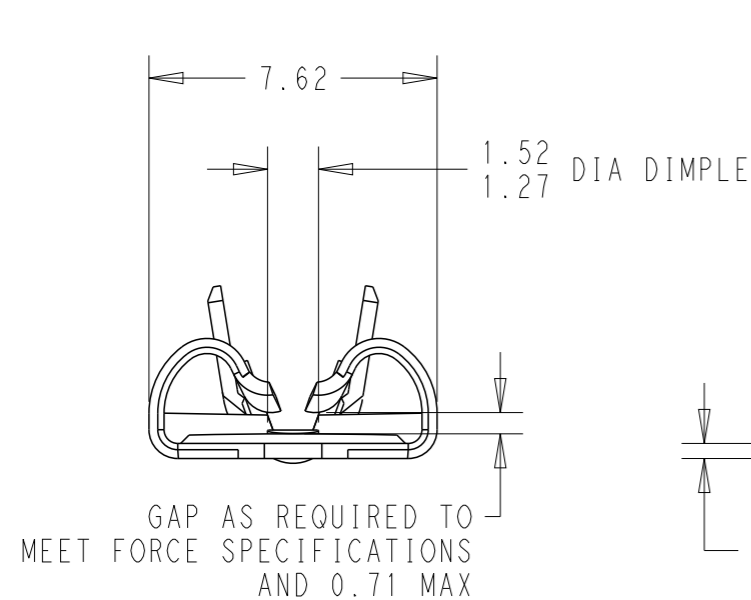
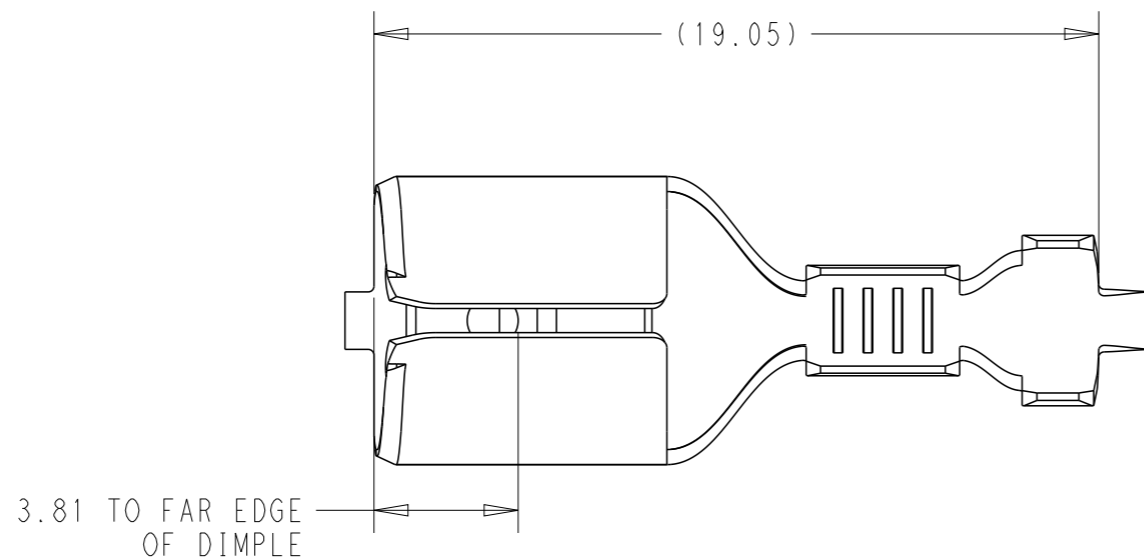


P	LTR	DESCRIPTION	DATE	DWN	APVD
	B2	REVISED PER ECN-23-235743	18OCT2023	BKW	DH
	B3	REVISED PER ECN-24-251700	08FEB2024	BKW	DH

1. CONTINUOUS STRIP ON REELS
2. WIRE SIZE IS #22-#18 AWG
3. INSULATION RANGE IS 2.29-3.30
4. MATING TAB THICKNESS IS 0.76-0.84



5 PRODUCT HAS NOT YET COMPLETED QUALIFICATION OR UL AGENCY TESTING

6 MEASURED BEHIND "DOGBONE LEAD-IN" SPRINGS MAY NOT TOUCH



SECTION N-N

NICKEL	STEEL	5 2238143-1
FINISH	MATERIAL	PART NUMBER

THIS DRAWING IS A CONTROLLED DOCUMENT.		DWN B. WEAVER 23SEP2023	 TE Connectivity NAME FASTON, 250 STD REC STR F-CR, AWG 22-18 -			
DIMENSIONS: mm		CHK D. HUMPHREY 23SEP2023				PRODUCT SPEC 108-5178
		APVD W. MOYER 23SEP2023				APPLICATION SPEC 114-2036
TOLERANCES UNLESS OTHERWISE SPECIFIED:		WEIGHT -				RESTRICTED TO -
0 PLC ± 1 PLC ± 2 PLC ±0.25 3 PLC ± 4 PLC ± ANGLES ±5°		CUSTOMER DRAWING	SIZE A3	CAGE CODE 00779	DRAWING NO C-1742198	
MATERIAL SEE TABLE		FINISH SEE TABLE	SCALE 5:1	SHEET 1 OF 1	REV B3	