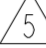
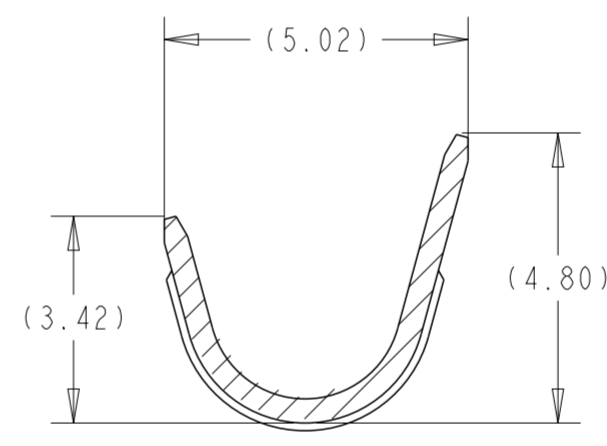
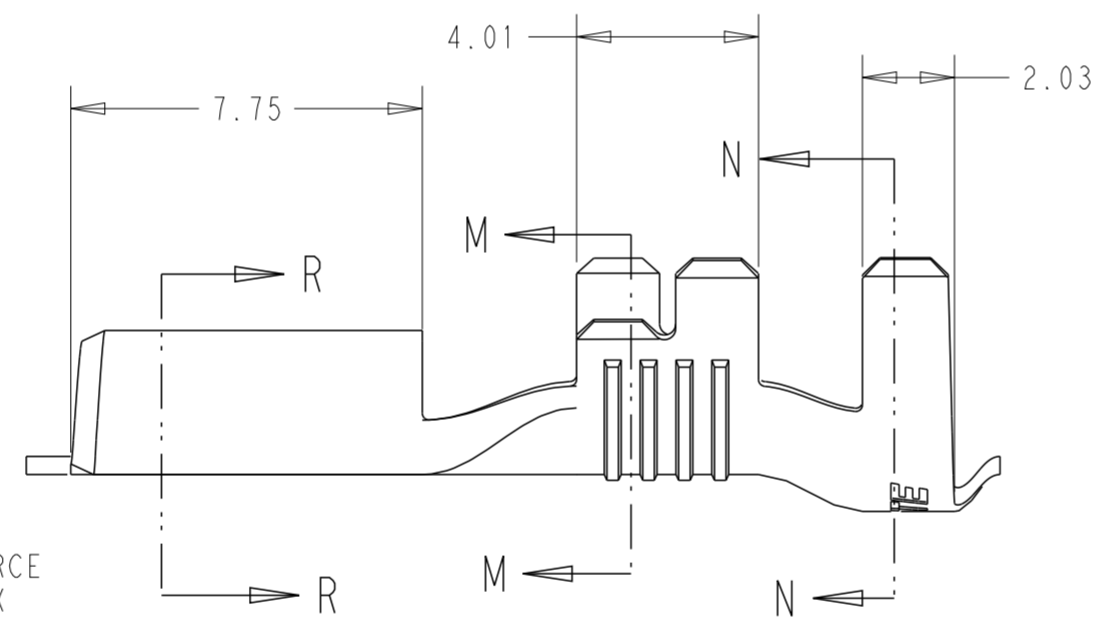
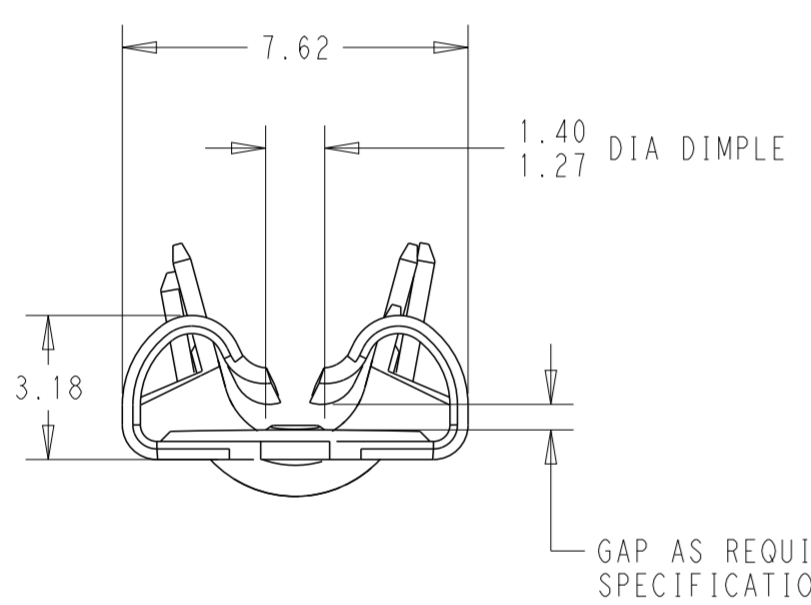
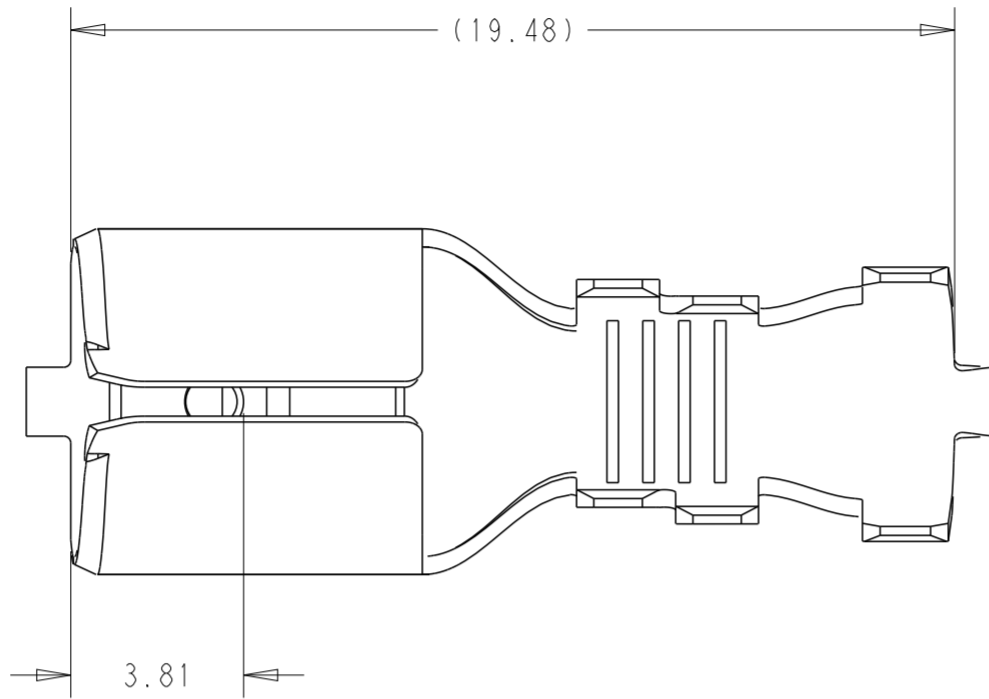


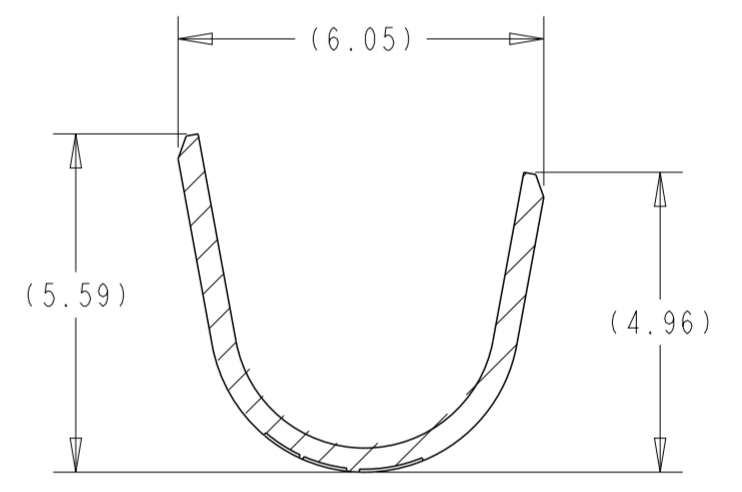
THIS DRAWING IS UNPUBLISHED. RELEASED FOR PUBLICATION 2023
 © COPYRIGHT 2023 BY TE CONNECTIVITY ALL RIGHTS RESERVED.

REVISIONS					
P	LTR	DESCRIPTION	DATE	DWN	APVD
A3		REVISED PER ECN-23-235743	18OCT2023	BKW	DH
A4		REVISED PER ECN-24-251700	08FEB2024	BKW	DH

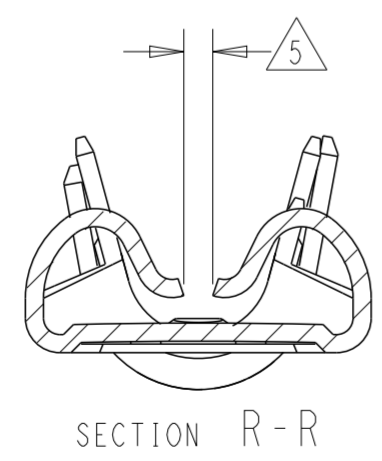
- CONTINUOUS STRIP ON REELS
- WIRE SIZE IS #22-#12 AWG
- INSULATION RANGE IS 3.05-4.32 DIA
- MATING TAB THK IS 0.76-0.84
-  CONTACT ROLLS TO NOT TOUCH EACH OTHER



SECTION M-M
SCALE 8:1




SECTION N-N
SCALE 8:1



SECTION R-R

TIN	BRASS	 2238173-3
FINISH	MATERIAL	PART NUMBER

THIS DRAWING IS A CONTROLLED DOCUMENT.		DWN B. WEAVER 05OCT2023	 TE Connectivity	
DIMENSIONS: mm		CHK D. HUMPHREY 05OCT2023		
TOLERANCES UNLESS OTHERWISE SPECIFIED:		APVD W. MOYER 05OCT2023	NAME FASTON, 250 SERIES, STD, REC., STR., 2D-CRP, AWG 22-12	
0 PLC ±	1 PLC ±	PRODUCT SPEC 108-5178	SIZE A2	CAGE CODE 00779
2 PLC ±0.25	3 PLC ±	APPLICATION SPEC 114-2036	DRAWING NO C-2238173	RESTRICTED TO -
4 PLC ±	ANGLES ±5°	WEIGHT -	SCALE 6:1	SHEET 1 OF 1
MATERIAL SEE TABLE	FINISH SEE TABLE	CUSTOMER DRAWING	REV A4	