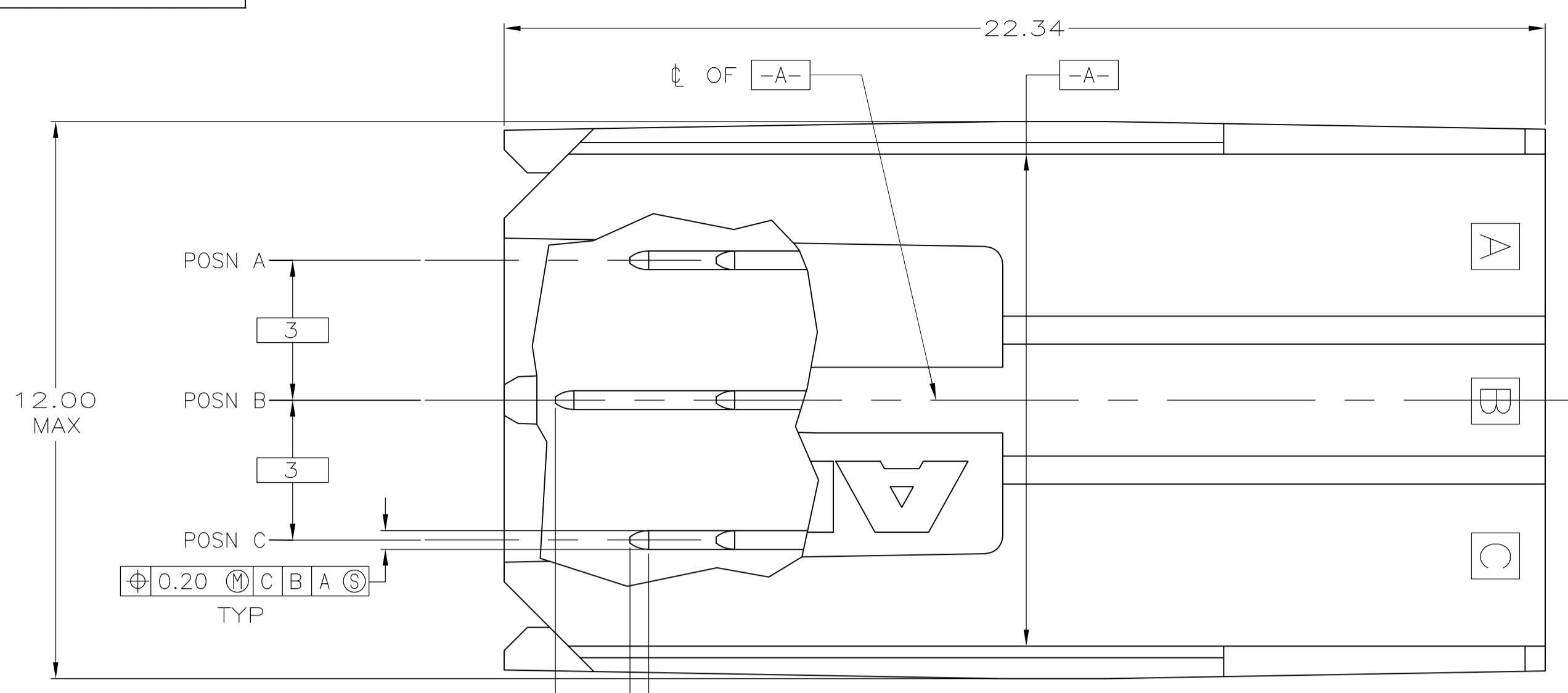
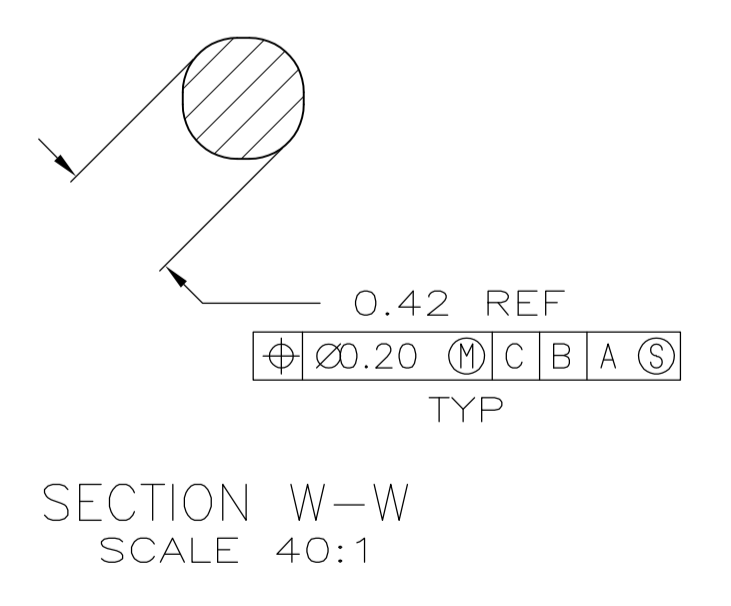
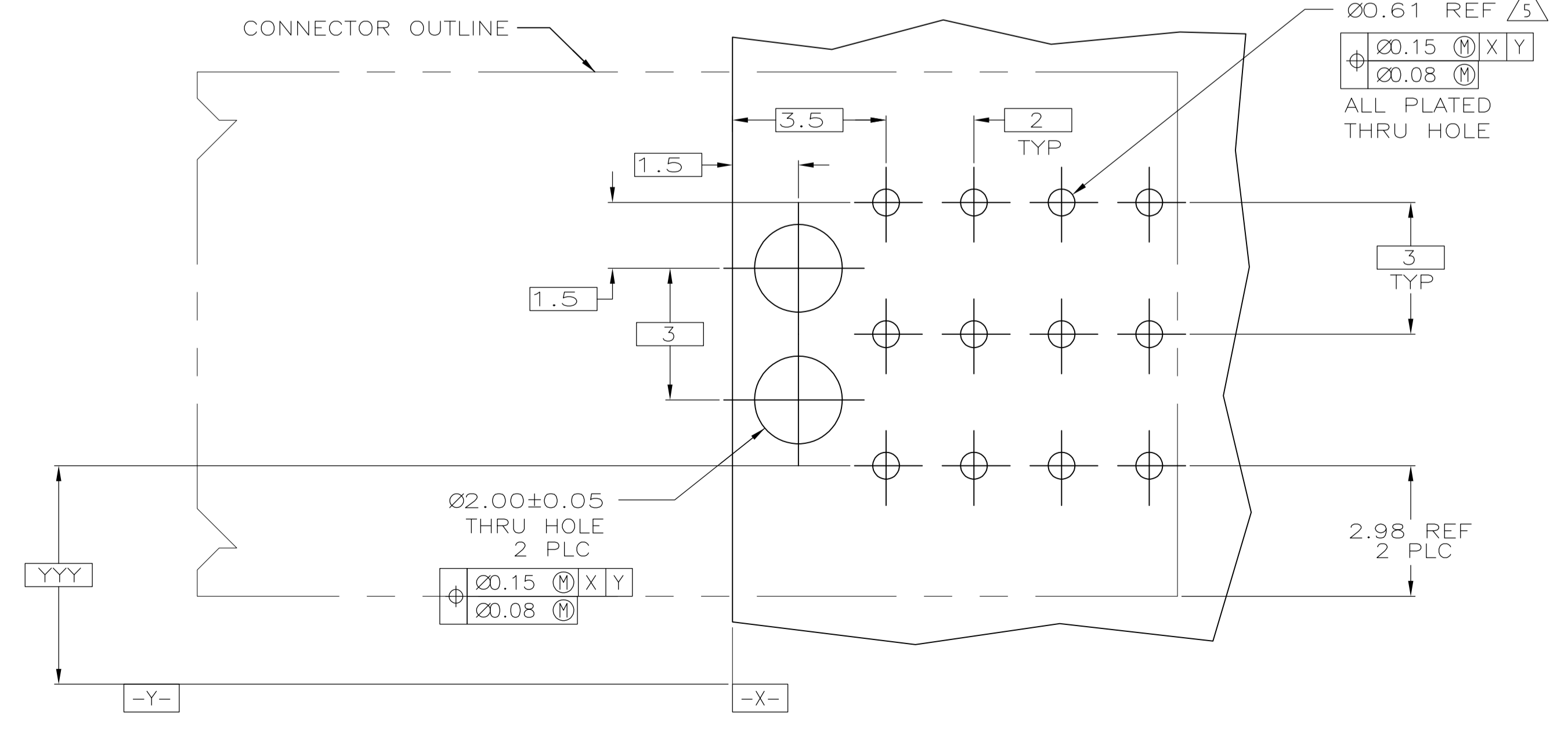
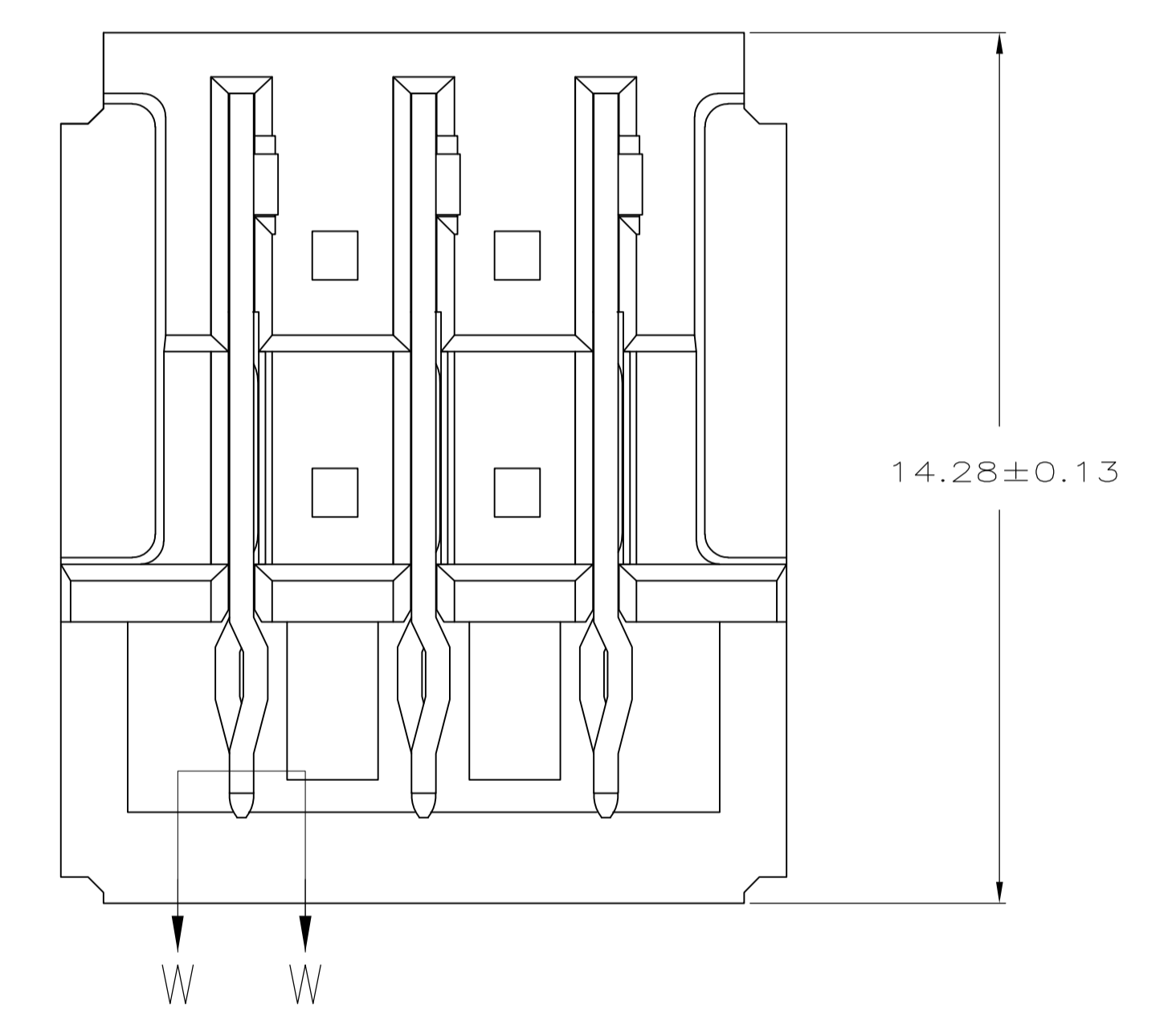
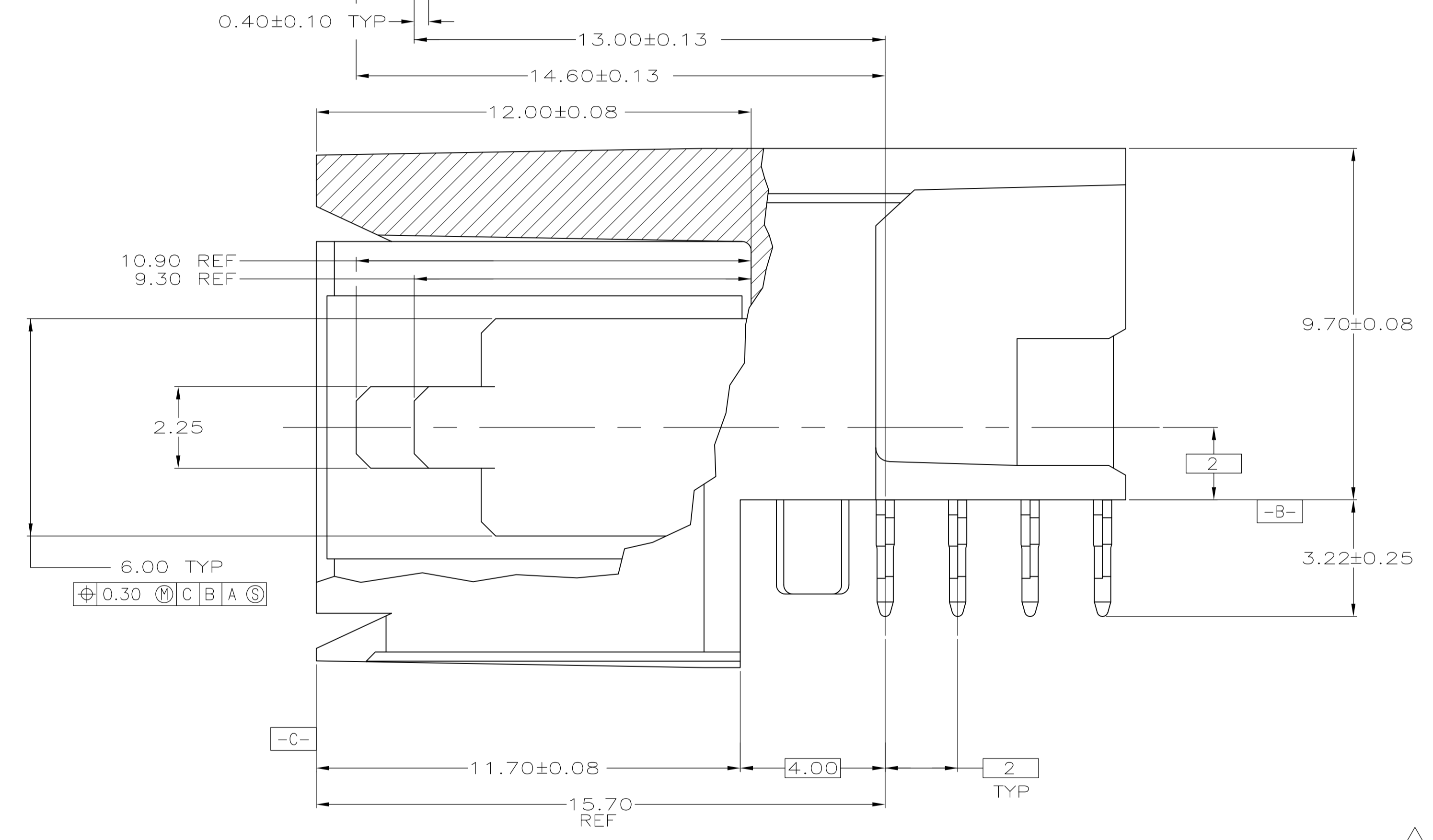
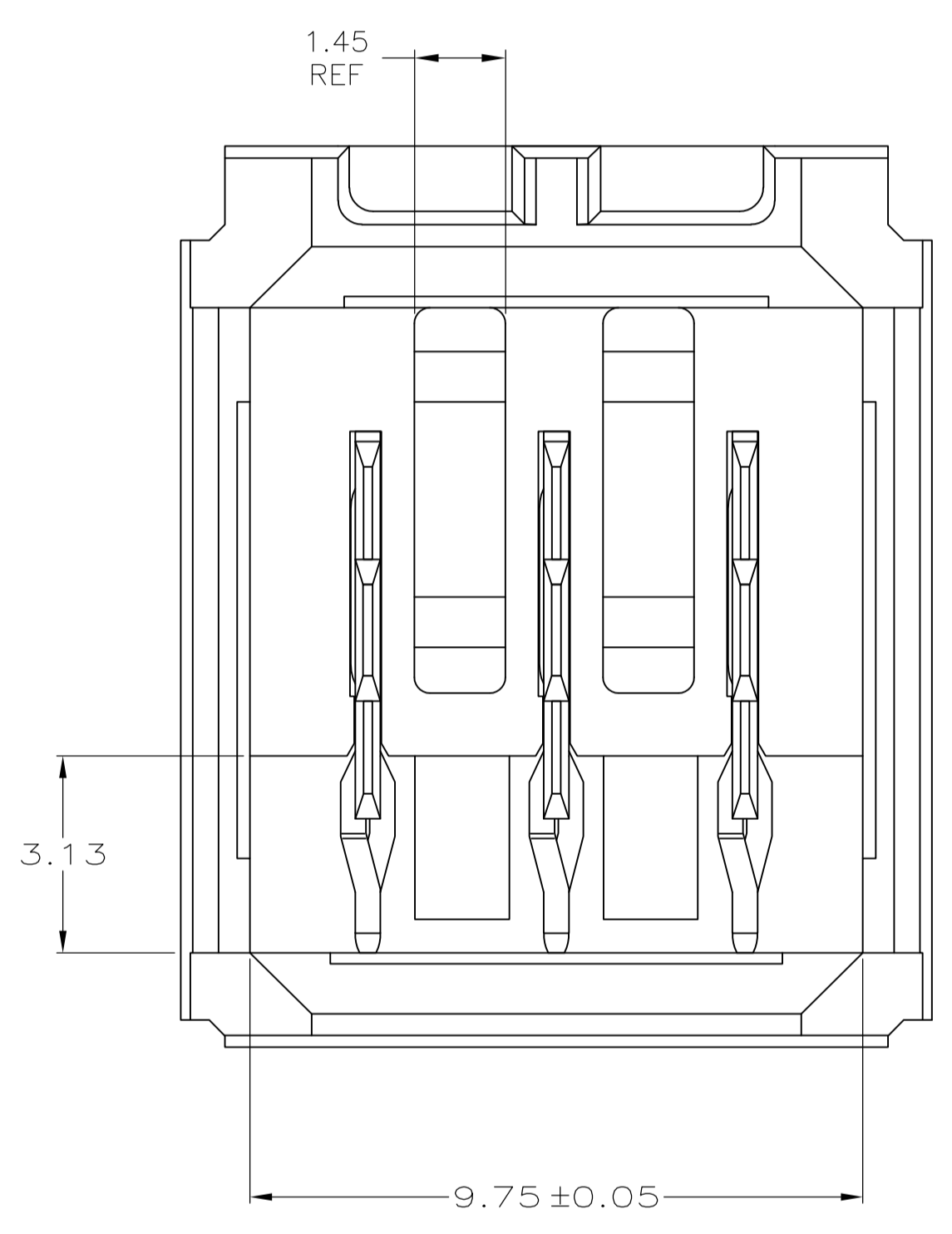


LOC		DIST		REVISIONS			
F	LTR	DESCRIPTION	DATE	DWN	APVD		
F		REVISED PER ECO-11-000045	06JAN11	DH	DY		



- 1 MATERIAL: HOUSING: POLYESTER. COLOR: GREY. UL 94V-0. CONTACT: PHOSPHOR BRONZE.
- 2 FINISH: CONTACT MATING AREA: 1.27  $\mu$ m MIN GOLD OR 0.08  $\mu$ m MIN GOLD OVER 0.76  $\mu$ m MIN PALLADIUM-NICKEL. ACTION PIN AREA: 0.5  $\mu$ m MIN TIN LEAD PLATE, ALL OVER 1.27  $\mu$ m MIN NICKEL UNDERPLATE.
- 3 FINISH: CONTACT LUBRICATION WITH BELLCORE APPROVED LUBRICANT. TECHNICAL REFERENCE: TR-NWT-001217 ISSUE 1, SEPT 1992.
- 4 RESTRICTED PART NUMBER, CONTACT ENGINEERING.
- 5 REFERENCE APPLICATION SPEC 114-1103 FOR RECOMMENDED PLATED THRU HOLE DIAMETER AND PLATING THICKNESSES.
- 6 CURRENT RATING 10A/CONTACT PER PRODUCT SPEC 108-1651.



223987-8
223987-1
PART NUMBER

RECOMMENDED PCB HOLE LAYOUT

THIS DRAWING IS A CONTROLLED DOCUMENT.

DIMENSIONS: mm	TOLERANCES UNLESS OTHERWISE SPECIFIED:	DIN T. SHUEY 4-28-99	4-28-99	Tyco Electronics Corporation Harrisburg, PA 17105-3608
0 PLC ± -	1 PLC ± -	CRK R. PATTERSON 4-28-99	4-28-99	NAME R. PATTERSON
2 PLC ± 0.13	3 PLC ± -	APVD R. PATTERSON 4-28-99	4-28-99	PRODUCT SPEC
4 PLC ± -	ANGLES ± -	APPLICATION SPEC	SIZE A1	CAGE CODE DRAWING NO. 00779
MATERIAL 1	FINISH 2, 3	WEIGHT	SCALE 10:1	RESTRICTED TO
CUSTOMER DRAWING		SCALE 10:1	SHEET 1 of 1	REV F