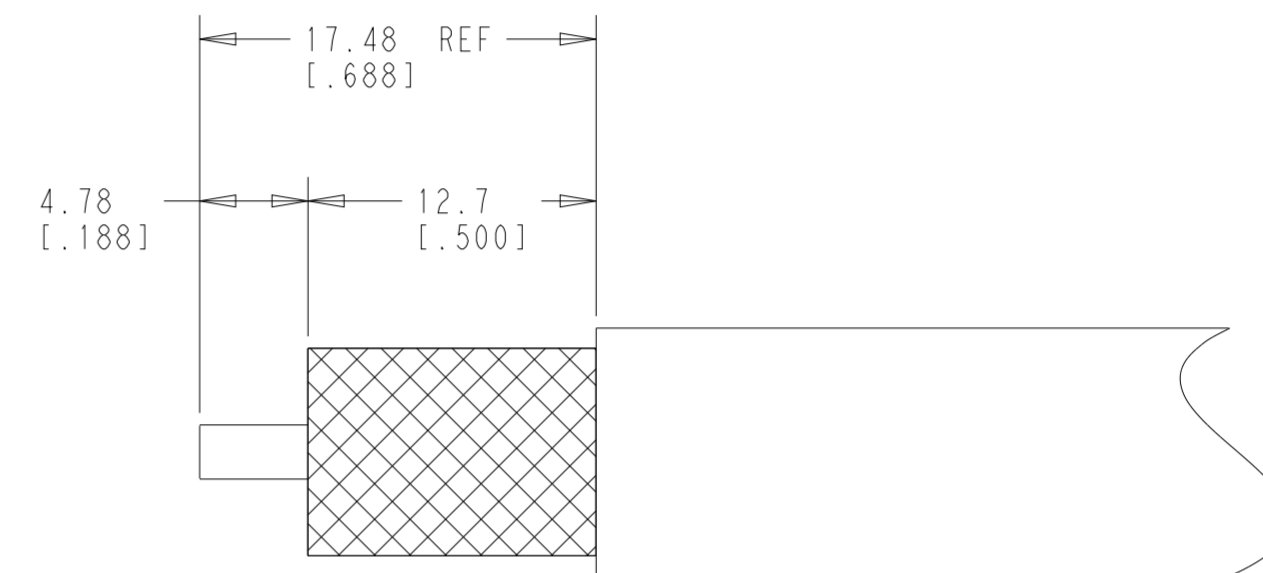
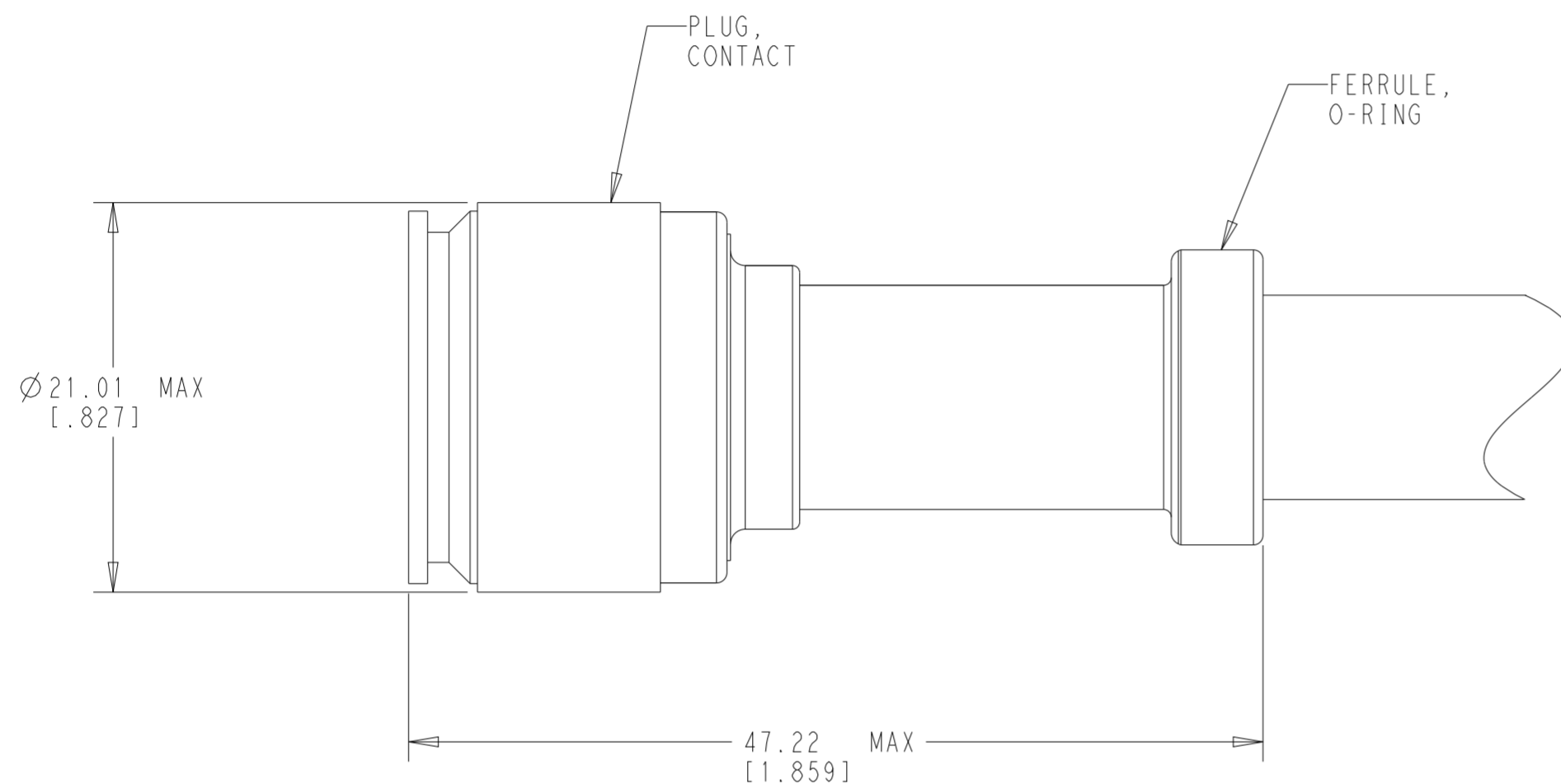


WARNING - THIS DOCUMENT CONTAINS TECHNOLOGY WHOSE EXPORT IS RESTRICTED BY THE EXPORT ADMINISTRATION REGULATIONS ("EAR") PURSUANT TO 15 C.F.R. PARTS 730-774. VIOLATIONS OF THE EAR ARE SUBJECT TO SEVERE CRIMINAL PENALTIES UNDER THE EXPORT CONTROL REFORM ACT, AS AMENDED (TITLE 50, U.S.C., SEC. 4801, ET SEQ.).

REVISIONS				
P	LTR	DESCRIPTION	DATE	APVD
	T	REV PER ECN-24-275020	12JUL2024	LP JG



RECOMMENDED STRIP LENGTH

SEAL	SILICONE RUBBER PER A-A-59588	N/A
COUPLING NUT	BRASS PER ASTM B16	SILVER PLATE PER ASTM B700
GASKET	SILICONE RUBBER PER A-A-59588	N/A
WASHER	PHOSPHOR BRONZE ALLOY ASTM B139	N/A
SHELL	BRASS PER ASTM B16	SILVER PLATE PER ASTM B700
OUTER CONTACT	PHOSPHOR BRONZE ALLOY ASTM B139	N/A
DIELECTRIC	PTFE FLOUROCARBON PER ASTM-D-1457	N/A
INNER FERRULE	BRASS PER ASTM B16 OR B36	SILVER PLATE PER ASTM B700
CONTACT	BRASS PER ASTM B16	GOLD PLATE PER ASTM B488 OVER NICKEL PLATE PER SAE-AMS-QQ-N-290
CRIMP FERRULE	BRASS PER ASTM B16	SILVER PLATE PER ASTM B700
O RING	SILICONE RUBBER PER A-A-59588	N/A
COMPONENT	MATERIAL	FINISH

1. SEE INSTRUCTION SHEET 408-2028-1

220015-1	RG-225/U	00779M39012/01B0012 AMP & DATE (YY-WW)	225092-7
CRIMP TOOL	CABLE SIZE	STAMPING	PART NUMBER

THIS DRAWING IS A CONTROLLED DOCUMENT.		DWN L. PROSPERI 09 JUL 2024	TE Connectivity	
DIMENSIONS: mm [in]		CHK J. GUNDERMANN 09 JUL 2024		
TOLERANCES UNLESS OTHERWISE SPECIFIED:		APVD D. WILSON 09 JUL 2024	NAME PLUG, WEATHERPROOF, SERIES N	
0 PLC ±	1 PLC ±	PRODUCT SPEC 108-12019	SIZE A2	CAGE CODE 00779
2 PLC ±	3 PLC ±0.41 [0.016]	APPLICATION SPEC	DRAWING NO C-225092	RESTRICTED TO
4 PLC ±	ANGLES ±	FINISH	WEIGHT	SCALE 3:1
MATERIAL		CUSTOMER DRAWING	SHEET 1 OF 1	REV T