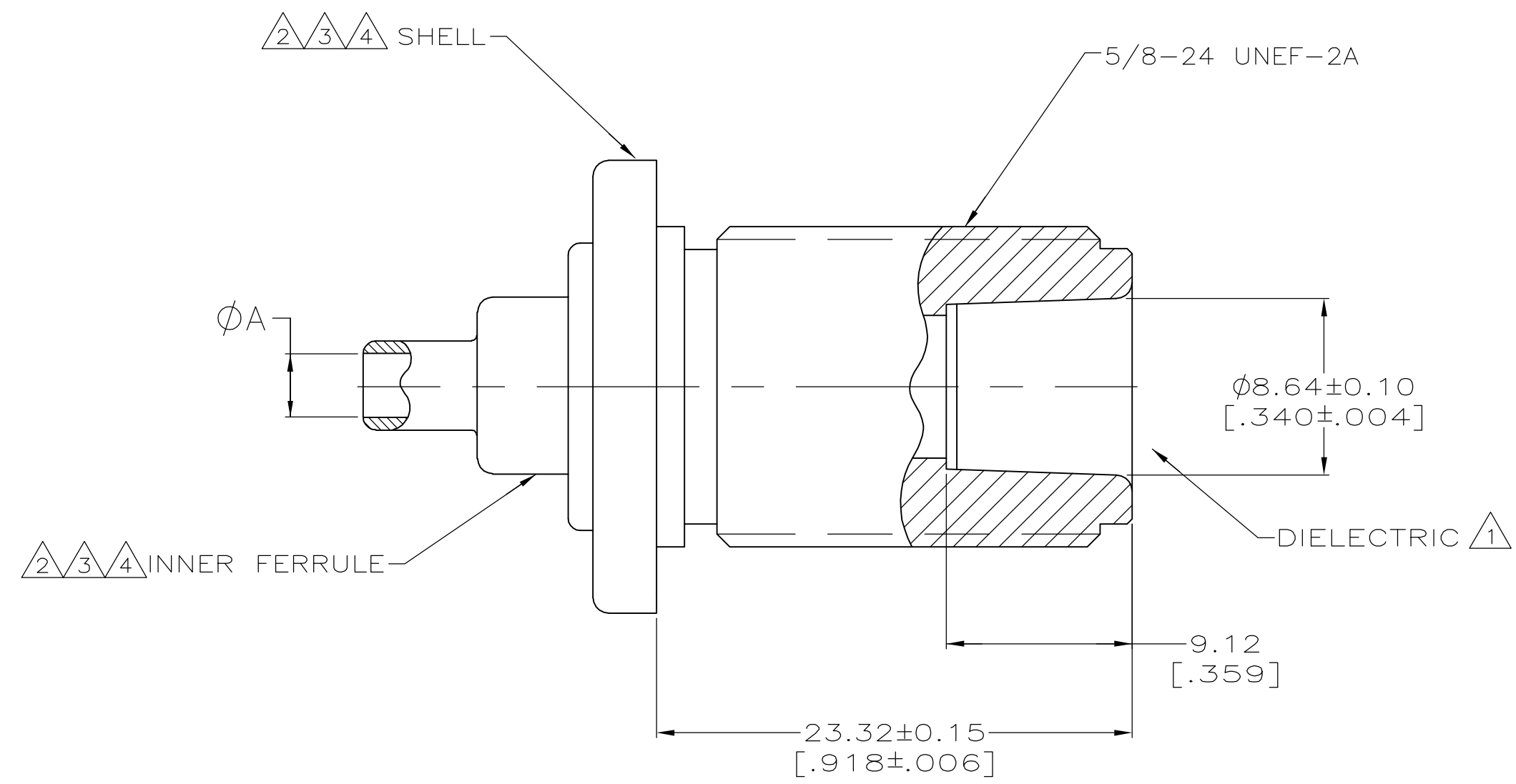


LOC	DIST	REVISIONS					
AJ	17	P	LTR	DESCRIPTION	DATE	DWN	APVD
		C		REVISED PER EC OS14-0134-05	15JUN05	BM	GM



- 1 PTFE PER MIL-P-19468.
- 2 BRASS PER QQ-B-626.
- 3 SILVER PER QQ-S-365, 5.08  $\mu\text{m}$  [ $.000200$ ] MIN THICK.
- 4 NICKEL PER QQ-N-240, 2.54  $\mu\text{m}$  [ $.000100$ ] MIN THICK.

3.15	[.124]	3	9-225387-0
3.86	[.152]	4	225387-5
3.86	[.152]	3	225387-4
3.15	[.124]	4	225387-3
3.89	[.153]	3	225387-2
3.15	[.124]	3	225387-1
A		FINISH	PART NUMBER

THIS DRAWING IS A CONTROLLED DOCUMENT.		DWN	B. MOYER	03/19/92		Tyco Electronics Corporation																			
		CHK	M. SNEED	3-20-92		Harrisburg, Pa 17105-3608																			
DIMENSIONS: mm[INCHES]		TOLERANCES UNLESS OTHERWISE SPECIFIED:		NAME																					
<table border="1"> <tr><td>0 PLC</td><td>±</td><td>-</td></tr> <tr><td>1 PLC</td><td>±</td><td>-</td></tr> <tr><td>2 PLC</td><td>±</td><td>0.08 [.003]</td></tr> <tr><td>3 PLC</td><td>±</td><td>-</td></tr> <tr><td>4 PLC</td><td>±</td><td>-</td></tr> <tr><td>ANGLES</td><td>±</td><td>± -</td></tr> </table>		0 PLC	±	-	1 PLC	±	-	2 PLC	±	0.08 [.003]	3 PLC	±	-	4 PLC	±	-	ANGLES	±	± -	PRODUCT SPEC		JACK ASSEMBLY, BULKHEAD, SERIES N			
0 PLC	±	-																							
1 PLC	±	-																							
2 PLC	±	0.08 [.003]																							
3 PLC	±	-																							
4 PLC	±	-																							
ANGLES	±	± -																							
MATERIAL		FINISH		APPLICATION SPEC		RESTRICTED TO																			
				WEIGHT		SIZE CAGE CODE DRAWING NO																			
				-		A2 00779 C-225387																			
CUSTOMER DRAWING				SCALE 4:1		SHEET 1 OF 1 REV C																			