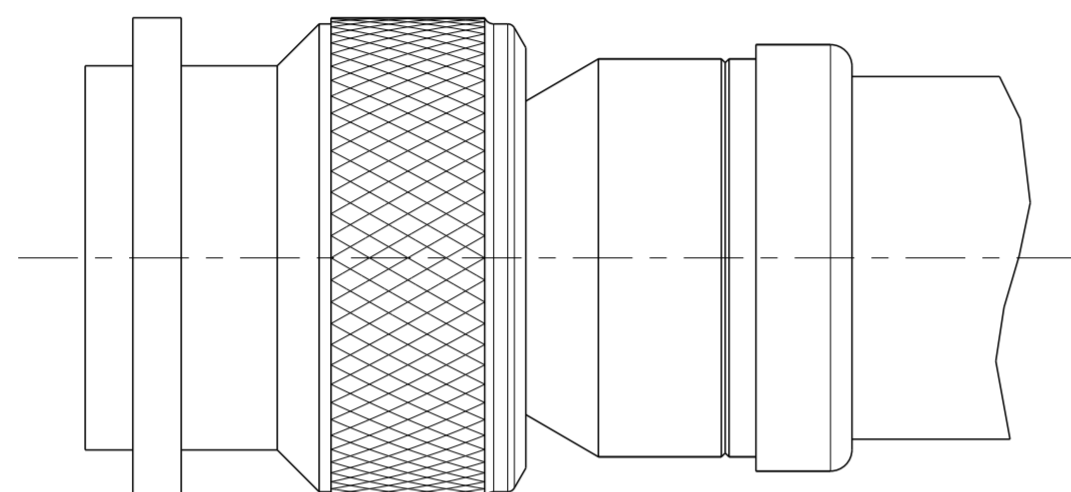


WARNING - THIS DOCUMENT CONTAINS TECHNOLOGY WHOSE EXPORT IS RESTRICTED BY THE EXPORT ADMINISTRATION REGULATIONS ("EAR") PURSUANT TO 15 C.F.R. PARTS 730-774. VIOLATIONS OF THE EAR ARE SUBJECT TO SEVERE CRIMINAL PENALTIES UNDER THE EXPORT CONTROL REFORM ACT, AS AMENDED (TITLE 50, U.S.C., SEC. 4801, ET SEQ.).

REVISIONS					
P	LTR	DESCRIPTION	DATE	DWN	APVD
	W	REV PER ECN-24-274595	09JUL2024	LP	JG



VIEW Y
SAME AS VIEW X
EXCEPT AS SHOWN

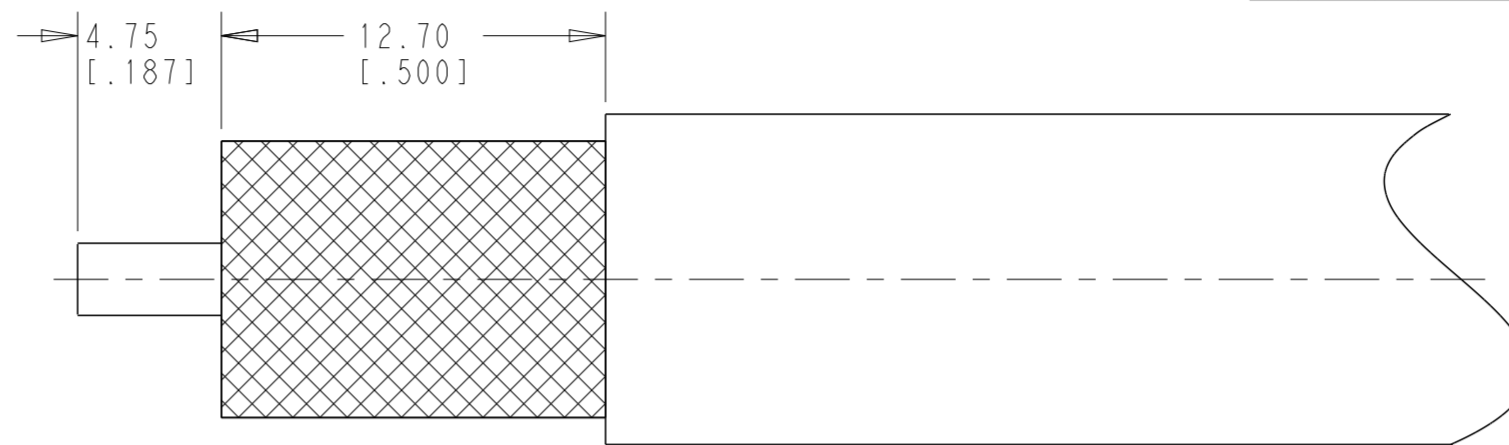
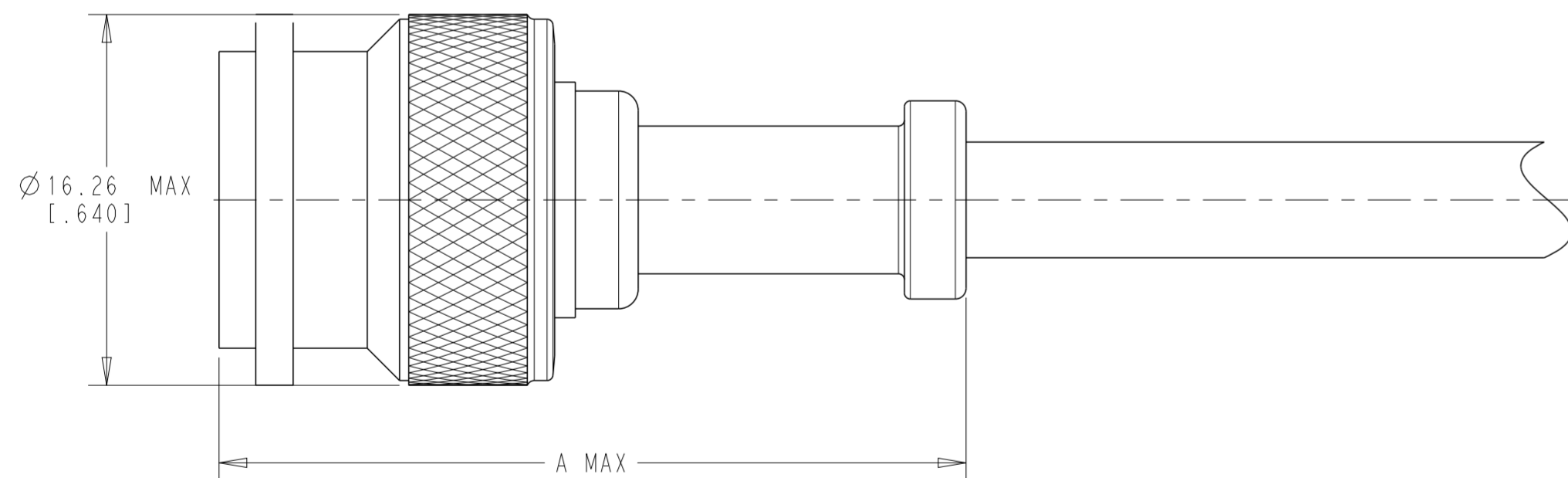


FIG. 2



FIG. 1

RECOMMENDED STRIP LENGTH



VIEW X

CONTACT	BRASS PER ASTM B16	GOLD PLATE PER ASTM B488 OVER NICKEL PLATE PER SAE-AMS-QQ-N-290
INNER FERRULE	BRASS PER ASTM B16 OR B36	SILVER PLATE PER ASTM B700
WASHER	BRASS PER ASTM B16	
COLLAR		
COLLAPSIBLE WASHER		
CRIMP FERRULE	BRASS PER ASTM B36	COPPER OR BRASS ALLOY ROCKWELL B 45 MAX
SHELL	PHOSPHOR BRONZE ALLOY ASTM B139	SILVER PLATE PER ASTM B700
GASKETS	SILICONE RUBBER PER A-A-59588	N/A
O-RING	PTFE FLUOROCARBON PER ASTM-D-1457	N/A
DIELECTRIC		
COMPONENT	MATERIAL	FINISH

2	-	-	-	-	-	7-225550-8
	RG-393/U	2	1-225550-3 AMP	220015-1	50.67 [1.995]	Y 1-225550-3
	RG-225/U	2	1-225550-2 AMP	220015-1	50.80 [2.000]	Y 1-225550-2
	RG-142/U, 142A/U, 142B/U & 400/U	1	00779 M39012/26B0006 AMP YY WW	220045-2	34.93 [1.375]	X 225550-6
	CABLE SIZE	FIG	STAMPING	CRIMP TOOL	A	VIEW PART NUMBER

1. USE INSTRUCTION SHEET 408-2299-1

2 SEE SEPARATE CUSTOMER DRAWING FOR THIS PART NUMBER

THIS DRAWING IS A CONTROLLED DOCUMENT.

DIMENSIONS: mm [in]

TOLERANCES UNLESS OTHERWISE SPECIFIED:

0 PLC	±
1 PLC	±
2 PLC	±.041 [.016]
3 PLC	±
4 PLC	±
ANGLES	±
FINISH	

MATERIAL: -

FINISH: -

APVD: D. WILSON 28 JUN 2024

CHK: J. GUNDERMANN 28 JUN 2024

DWN: L. PROSPER 28 JUN 2024

TE Connectivity

NAME: PLUG, 50 OHM, WEATHERPROOF, TNC

SIZE: A2 CAGE CODE: 00779 DRAWING NO: C-225550

RESTRICTED TO: -

CUSTOMER DRAWING SCALE: 4:1 SHEET: 1 OF 1 REV: W