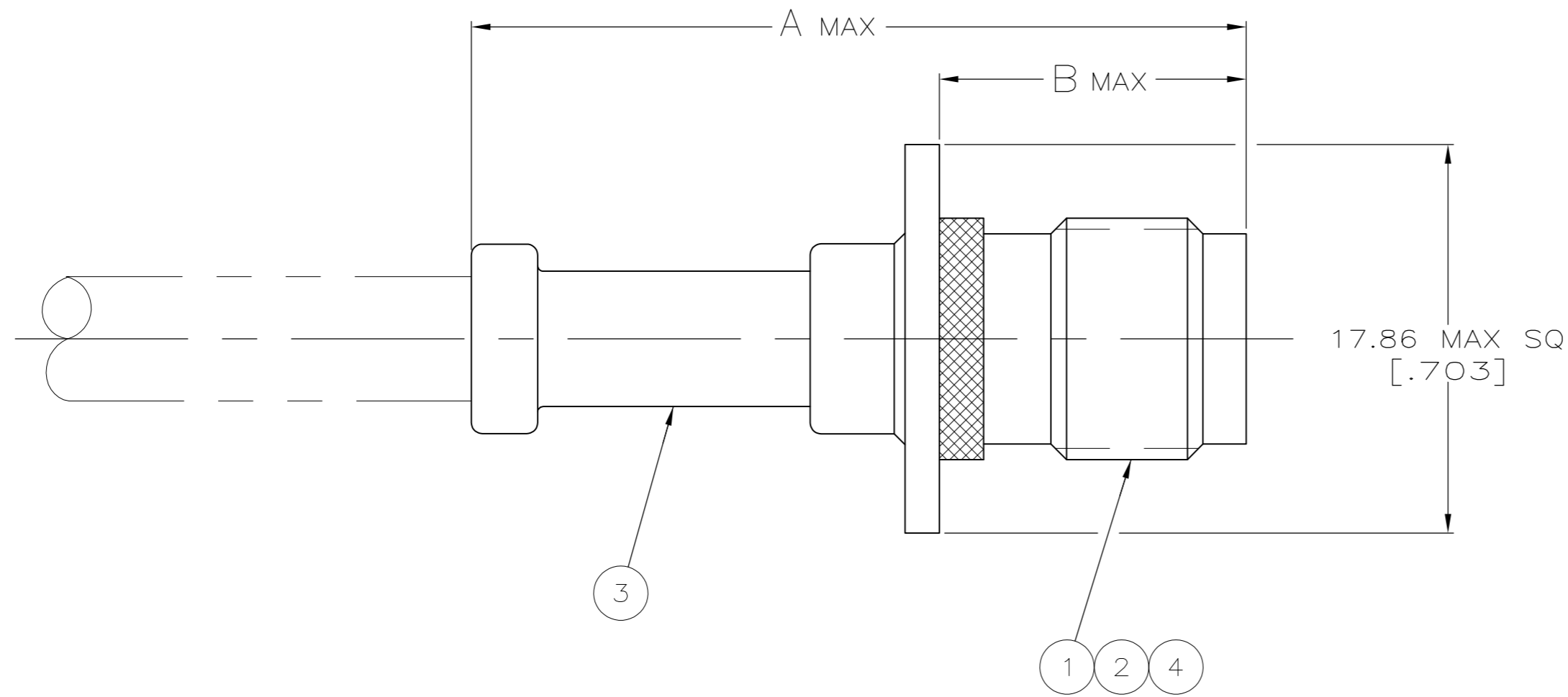
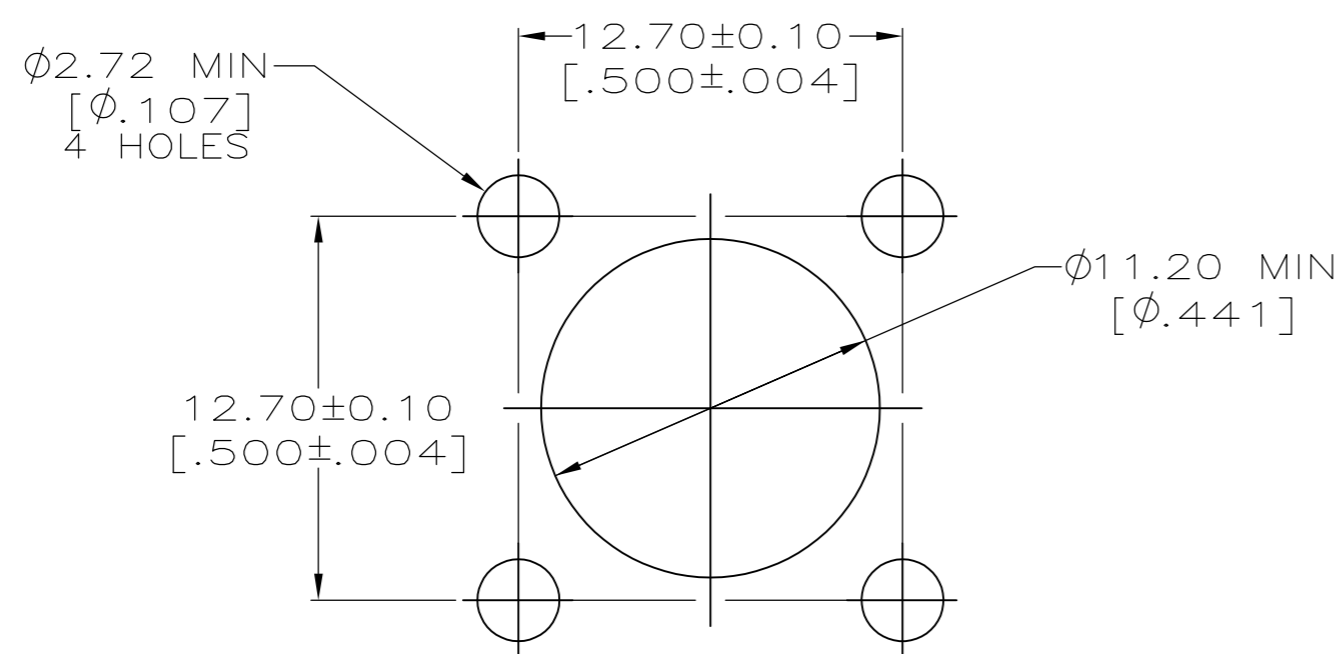


THIS DRAWING IS UNPUBLISHED. RELEASED FOR PUBLICATION  
 © COPYRIGHT - By - ALL RIGHTS RESERVED.

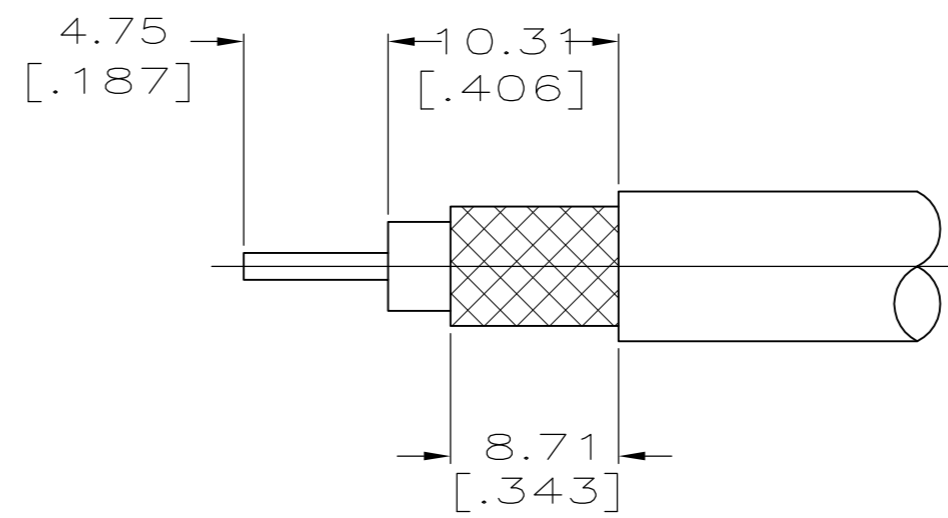
LOC		DIST		REVISIONS			
P	LTR	DESCRIPTION		DATE	DWN	APVD	
D		REV PER ECO 13-001723		1-31-13	CT	WAM	



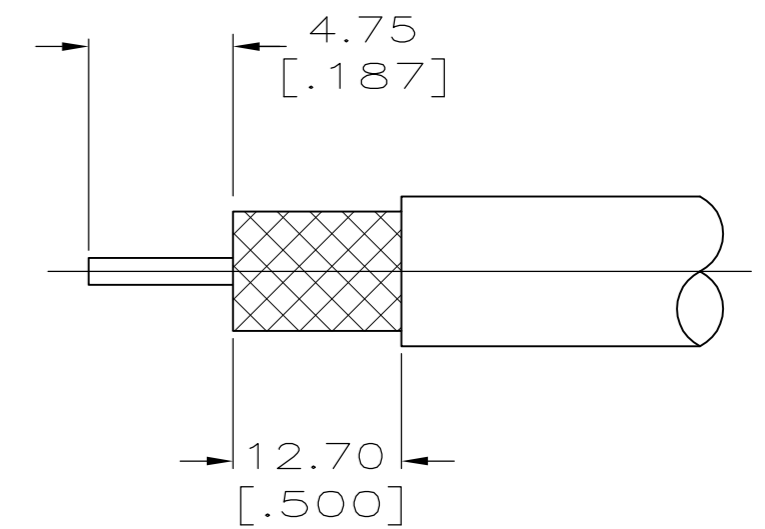
1. SEE I.S. 408-2299-4  
 OBSOLETE



RECOMMENDED PANEL CUTOUT



VIEW Y



VIEW Z

RECOMMENDED STRIP LENGTH

1-225553-0 AMP	RG-225/U	220015-1	17.45 [.687]	51.59 [2.031]	Z	332022	331987	225471-7	225613-1	1-225553-0
00779 M39012/29B0006 YY WW	RG-142/U,142A/U & 142B/U	220045-2	14.27 [.562]	35.71 [1.406]	Y	-225592-2	225560-1	1-225471-1	225474-1	225553-6/2
00779 M39012/29B0005 YY WW	RG-58,58A/U,58B/U & 58C/U	220045-2	14.27 [.562]	35.71 [1.406]	Y	-225592-1	225560-2	225471-9	225474-1	225553-2/2
STAMPING	CABLE SIZE	CRIMP TOOL	B	A	VIEW	④ GASKET QTY=1	③ FERRULE QTY=1	② CONTACT QTY=1	① JACK ASSEMBLY QTY=1	PART NUMBER

THIS DRAWING IS A CONTROLLED DOCUMENT.

DWN	JJ DESPRETZ	01-FEB-05
CHK	T CORRIOU	01-FEB-05
APVD	Y PETRONIN	01-FEB-05
PRODUCT SPEC	108-12001	
APPLICATION SPEC	-	
WEIGHT	-	-
CUSTOMER DRAWING	SCALE 1:1	SHEET 1 OF 1

**STE** TE Connectivity

JACK, PANEL, WATERPROOF, SERIES TNC

SIZE A2 CAGE CODE 00779 C=225553 DRAWING NO. RESTRICTED TO