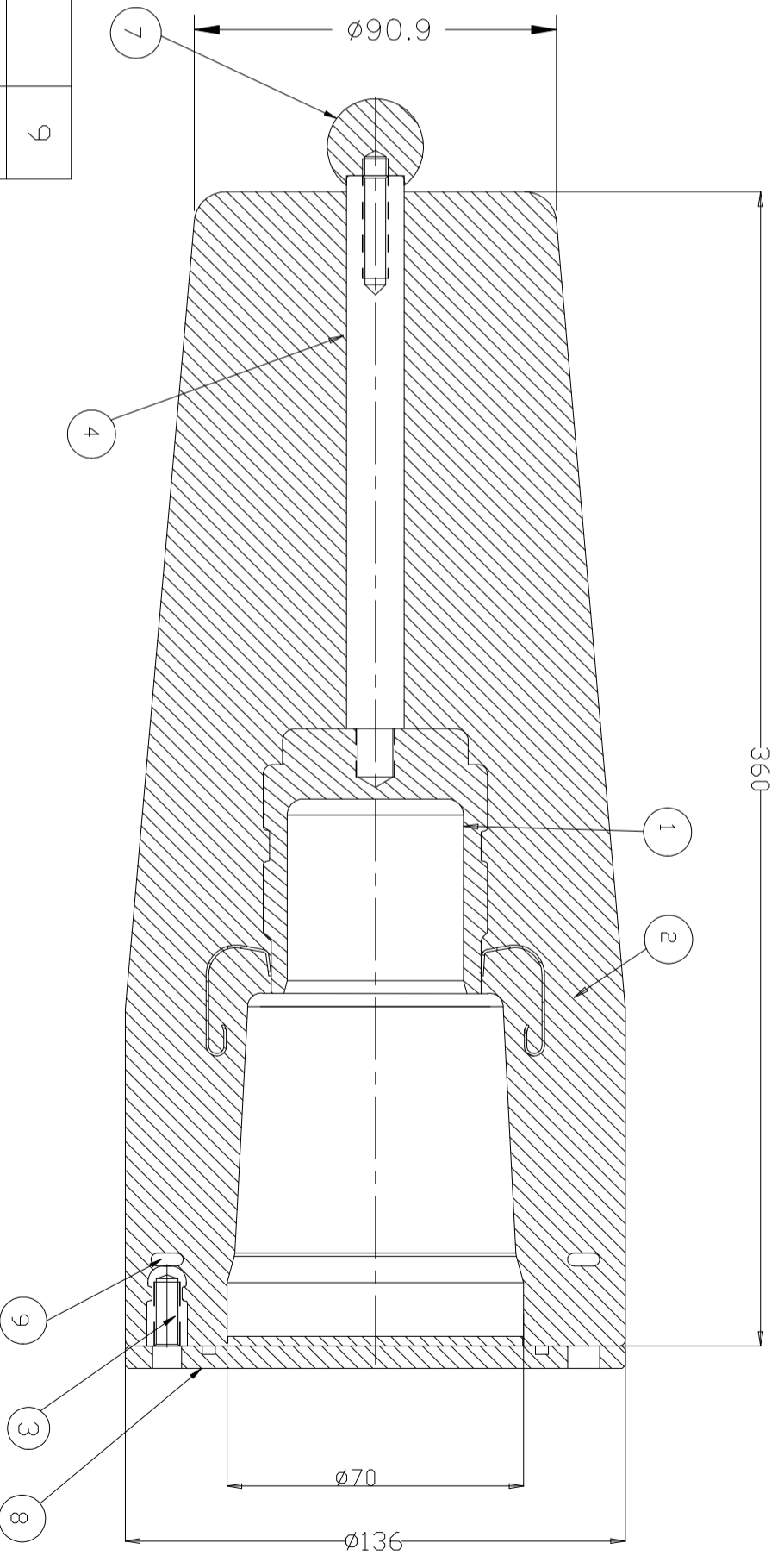
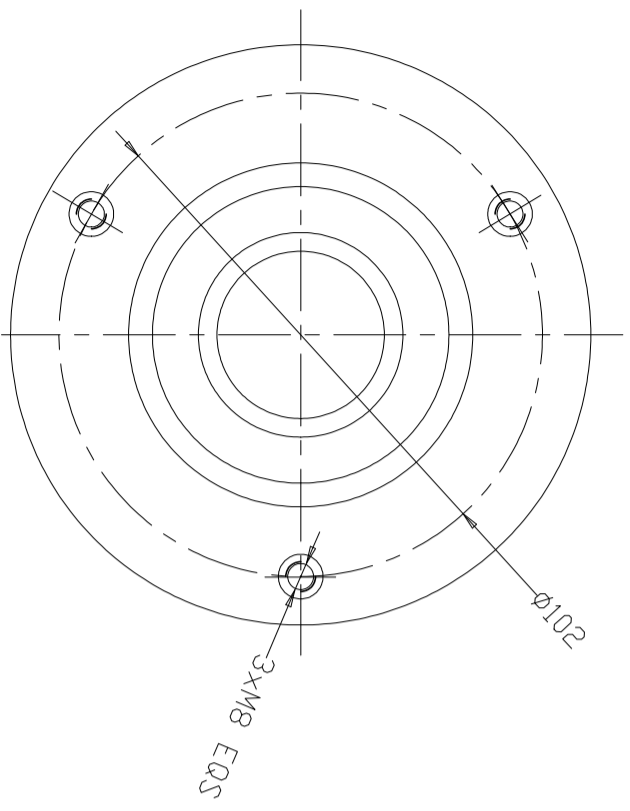


REVISIONS		DESCRIPTION	DATE	DWN	APVD
P	LTR				
1		INITIAL RELEASE	17JUL2023	JG	Q, XI



1	2084690-1	VOLTAGE TAP BASE	9
1	2259350-1	2#TS SHROUDING	8
1	2259352-1	SPHERICAL SHIELD	7
3		SPRING WASHER(GB/T 93 8,A2-70)	6
1		SCREW(GB/T15389 M8X15)	
3		SCREW(GB/T70 M8X20,A2-70)	5
1	2259090-1	CONDUCTOR POLE INSERTION	4
3	2259353-1	EPDXY BUSHING BODY	3
1	2084733-1	HV ELECTRODE	2
1		DESCRIPTION	ITEM ND

NOTE:
 1. NO ANY FLASH OR SHARP EDGE.
 2. UNDEFINED EDGE ROUND R0.3.
 3. ALL ARCS ARE TANGENT.
 4. SURFACE FINISH 1.6 UNLESS STATED.
 5. ITEMS&6 SHOULD BE PROVIDED TOGETHER.

PN	DESCRIPTION
2259339-1	MVCA-RPIT-2-TS

THIS DRAWING IS A CONTROLLED DOCUMENT.

DIMENSIONS: mm	TOLERANCES UNLESS OTHERWISE SPECIFIED:	DWN J GODWIN 17JUL2023	CHK Q, IVY 17JUL2023	APVD Q, XIANGMING 17JUL2023	NAME MVCA-RPIT-2-TEST SOCKET
MATERIAL	FINISH	PRODUCT SPEC	APPLICATION SPEC	WEIGHT	SIZE A3
					CAGE CODE 00779
					DRAWING NO C=2259339
		CUSTOMER DRAWING		SCALE 1:1	SHEET 1 OF 1
					RESTRICTED TO —

STE TE Connectivity