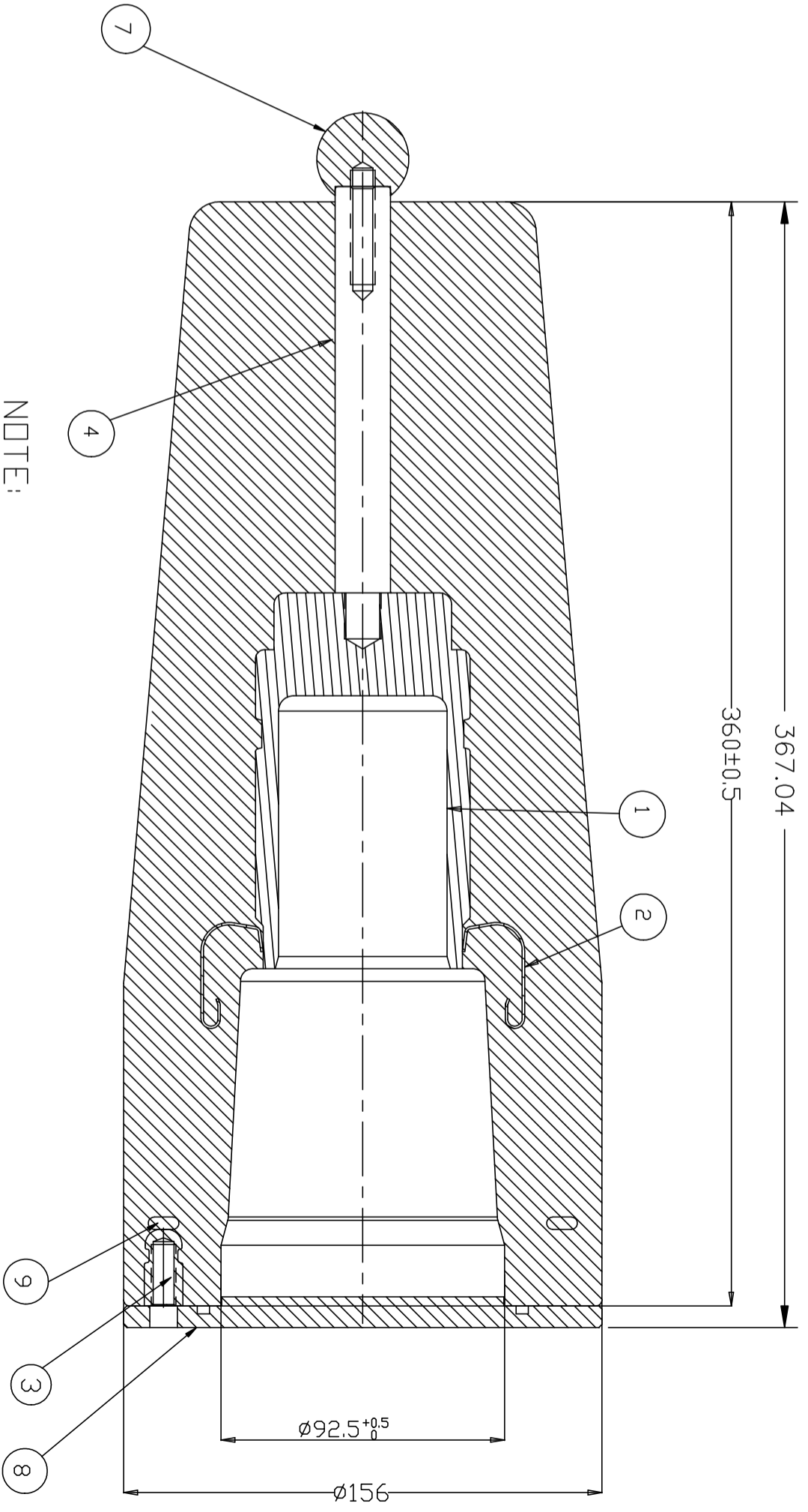
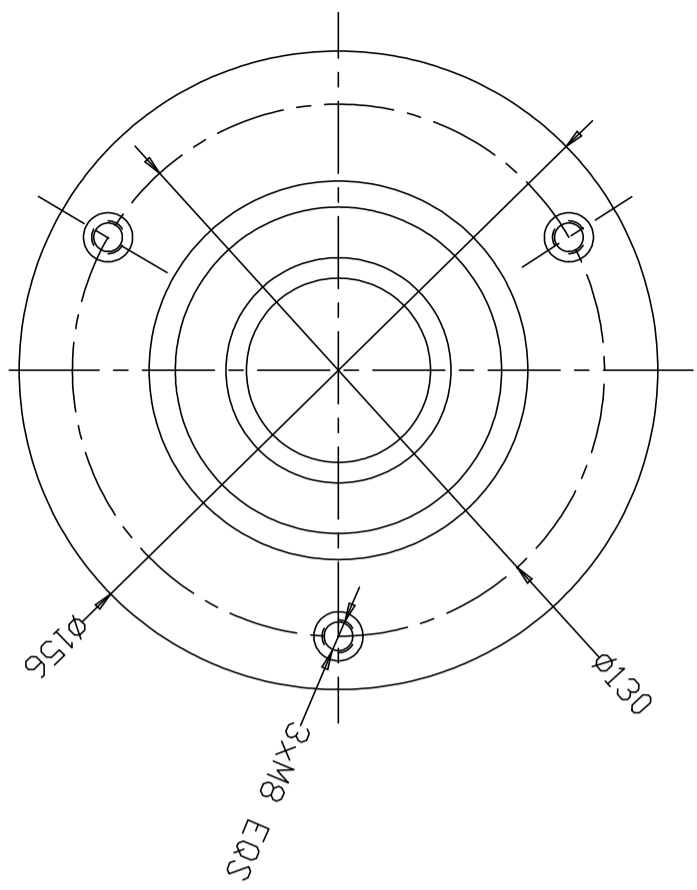
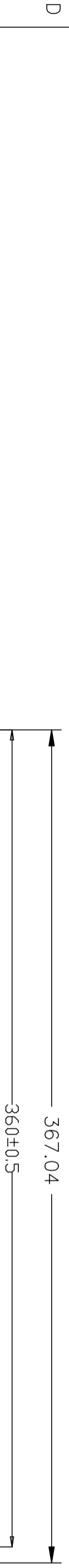


P	LTR	DESCRIPTION	DATE	DWN	APVD
-	-	-	-	-	-



NOTE:

1. NO ANY FLASH OR SHARP EDGE.
2. UNDEFINED EDGE ROUND R0.3.
3. ALL ARCS ARE TANGENT.
4. UNDEFINED TOLERANCE FOLLOW GB/T 14486,MTS.
5. SURFACE FINISH 1.6 UNLESS STATED.
6. PACKAGE, INSPECTION AND TEST REQUIREMENT MEET PES-0146.
7. ITEM5&6 SHOULD BE PROVIDED TOGETHER.

QTY	PART NO.	DESCRIPTION	ITEM NO
1	2084243-1	VOLTAGE TAP BASE	9
1	2259351-1	3#TS SHROUDING	8
1	2259352-1	SPHERICAL SHIELD	7
3		SPRING WASHER(GB/T 93 8)	6
1		SCREW(GB/T15389 M8X15)	5
3		SCREW(GB/T70 M8X20)	5
1	2259091-1	CONDUCTOR POLE	4
3	2259353-1	INSERTION	3
1	2084242-1	ELECTRODE SHIELD	2
1	2084241-1	ELECTRODE TUBE	1

THIS DRAWING IS A CONTROLLED DOCUMENT.

DIMENSIONS:	TOLERANCES UNLESS OTHERWISE SPECIFIED:
mm	0 PLC ±-
	1 PLC ±-
	2 PLC ±-
	3 PLC ±-
	4 PLC ±-
	ANGLES ±-
MATERIAL	FINISH
EPOXY	-

DWN	MARTIN XUE	09SEP2013	NAME	MVCA-RPIT-3-TEST SOCKET
CHK	REN XIAOPENG	09SEP2013	APVD	TAN YUEZHONG
			PRODUCT SPEC	
			APPLICATION SPEC	
			WEIGHT	
			CUSTOMER DRAWING	
			SIZE	A3
			CAGE CODE	00779
			DRAWING NO	2259340
			SCALE	1:1
			SHEET	1 of 1
			REV	2



TE Connectivity